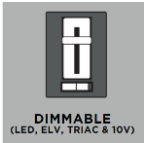
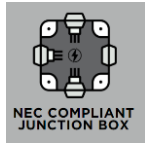
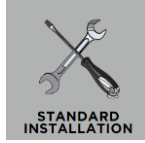


KHAN SMALL, MEDIUM & LARGE SCONCES

SLV1011; SLV1012; SLV1013

General Product Information



Suggested/Required Tools



Safety Information

CAUTION-RISK OF FIRE

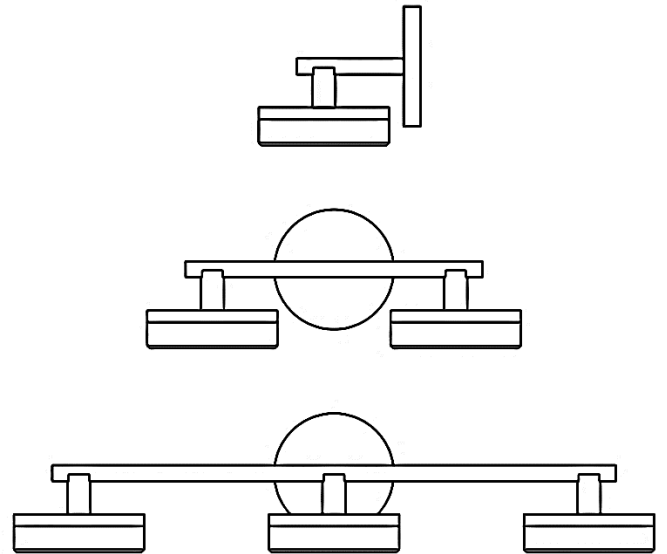
This product must be installed in accordance with the applicable installation code by a person familiar with the construction and operation of the product and the hazards involved.

USE MINIMUM 90°C SUPPLY CONDUCTORS.



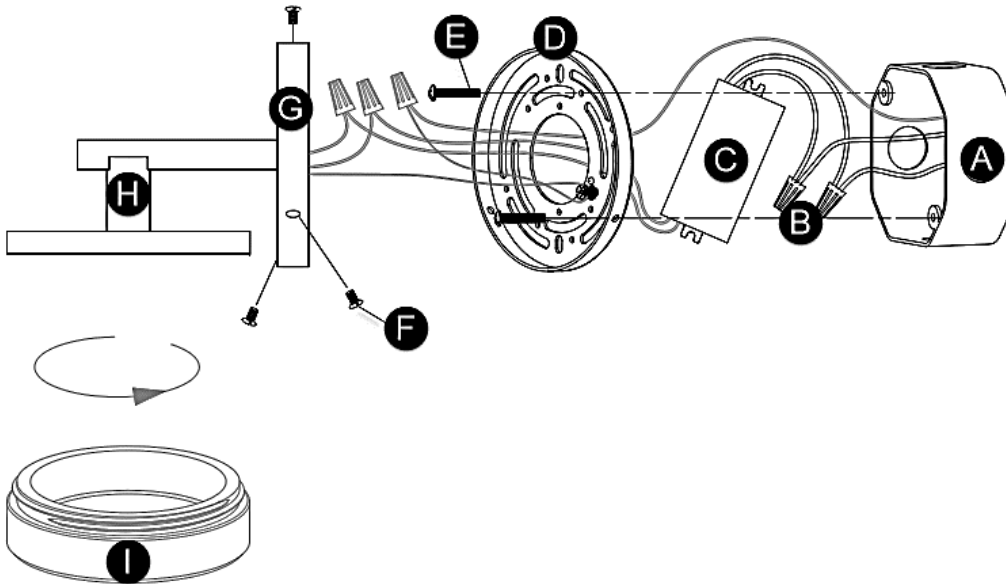
Turn off electrical current at the source before working with any lighting fixture or portable lamp.

Install and use this product in adherence with local electrical codes and regulations.



FIXTURE PARTS

- A. Junction box
- B. Wire Nut Connections
- C. Driver
- D. Mounting Plate
- E. Mounting Screws
- F. Fixture Base
- G. Fixture Screws
- H. Fixture
- I. Shade(s)



INSTRUCTIONS

I. Preparing the Fixture

1. Separate the mounting plate from the fixture backplate.

II. Wiring the Fixture

1. Safety first! Locate the circuit breaker and switch it off to cut off the power supply to the relevant circuits to ensure there's no electricity running through the wiring.
2. Place the driver in the junction box and connect the input driver wires to the supply wires using the wire nuts.
3. Install the mounting plate onto the junction box with the mounting screws, ensuring the output driver wires are accessible.
4. In accordance with local electrical codes, connect the fixture ground wire (bare copper or silver wire) to suitable ground. This may be a green ground screw on the mounting plate, which the ground wire should be tightly wrapped around or a house wire (green or bare copper wire without insulation).
5. Twist the bare ends of the following pairs of wires together using a wire nut to secure a connection:
 - a) Negative (-) fixture wire to negative (-) output driver wire
 - b) Positive (+) fixture wire to positive (+) output driver wire
6. For 0-10V dimming capabilities, connect the purple and pink wires to a compatible dimmer. Cap off these wires, if not using a dimmer.
7. Carefully tuck the driver and all the wires into the junction box.

III. Installing the Fixture

1. Mount the fixture onto the mounting plate and secure it in place by installing the fixture screws.
2. Screw the shade(s) onto the fixture to complete installation.