

TRACE 60 SINGLE LINEAR CHANDELIER

VISUAL COMFORT & Co.

PRODUCT FEATURES



LAMPING

ORDERING INFORMATION

PBLS808	COLOR TEMP	FINISH
	27 2700K	HABEG HAND-RUBBED ANTIQUE BRASS BEG NIGHTSHADE BLACK

PBLS808 _____

JOB NAME _____

NOTES _____

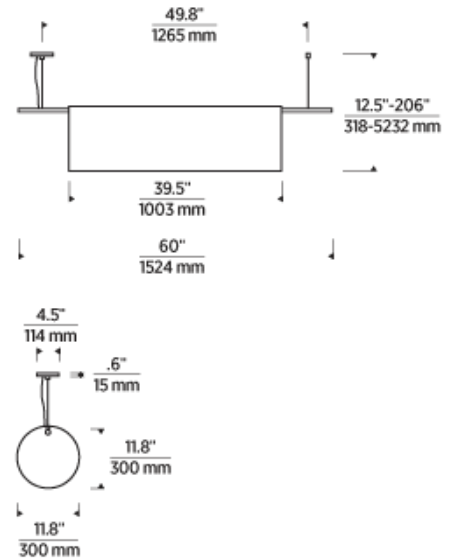


TRACE 60 SINGLE LINEAR CHANDELIER

VISUAL COMFORT & Co.

SPECIFICATIONS

PRIMARY MATERIAL	Aluminum or Brass
SHADE MATERIAL	Glass
NET WEIGHT	31 lbs
HEIGHT	11.8in
WIDTH	11.8in
LENGTH	60in
UP LIGHT / DOWN LIGHT / BOTH?	
WET LISTED	
DAMP LISTED	
DRY LISTED	
MIN. HANGING HEIGHT	12.5in
MAX HANGING HEIGHT	206in
TOTAL CORD LENGTH	192in
TOTAL STEM LENGTH	
STEM QTY	
SLOPED CEILING ADAPTABLE?	Yes 45° Max
GENERAL LISTING	ETL Listed
INCLUDES	



LAMPING SPECIFICATIONS

	LED LAMP	INTEGRATED LED	NON LED	NO LAMP
DELIVERED LUMENS		764		
WATTS		13.1		
MAX WATTAGE PER BULB		13.1W		
		120V-277V 0-10, ELV, TRIAC		
CCT		2700K		
CRI		90 CRI		
LED LIFETIME		>50,000		
L70				
AVERAGE BULB HOURS				
FIELD SERVICEABLE LED				
LAMP BASE		Dedicated LED		
LAMP SHAPE		Dedicated LED		
LAMP INCLUDED?		True		
WARRANTY**		5 Years		

* Dimming information available at www.techlighting.com/Downloads#dimming

** Visit techlighting.com for specific warranty limitations and details.

T20 / T24 / JA8 INFORMATION

	Integrated LED	Replacement LED Lamp	No Lamp *
This product can be used to comply with California Building Energy Efficiency Standards 2016 Title 24 Part 6 / JA8.	Yes		
This product can be used to comply with California Appliance Efficiency Standards 2016 Title 20 and may be shipped to and sold in California.			

* If a light fixture or component does not include a lamp or light source, it is the responsibility of the customer to select a lamp that meets the T24 and T20 requirements.

