

Orbet Chandelier

7000BT30, 7000BT36, 7000BT42 | 1.1

VISUAL COMFORT & Co.

MODERN COLLECTION

GENERAL PRODUCT INFORMATION:

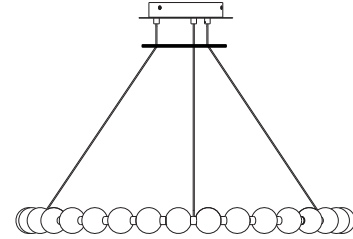
These fixtures are intended to be installed utilizing NEC compliant junction boxes.



This product is suitable for damp locations.

This product can be dimmed with most ELV, TRIAC, or 0-10V dimmers.

This instruction shows a typical installation.



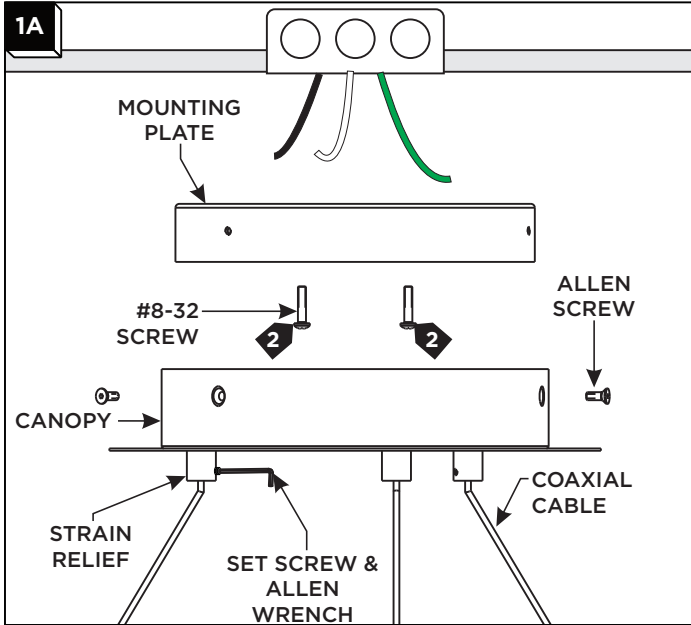
CAUTION - RISK OF FIRE

This product must be installed in accordance with the applicable installation code by a person familiar with the construction and operation of the product and the hazards involved.

Use minimum 90°C supply conductors.

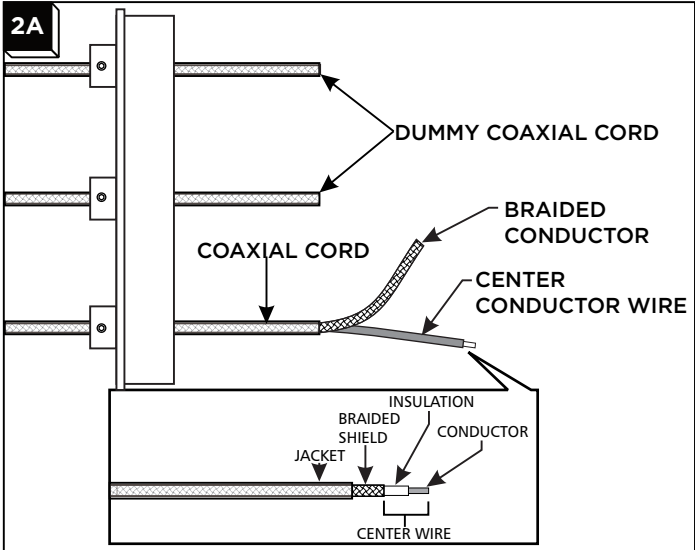
SAVE THESE INSTRUCTIONS!

Prepare the Fixture



- 1 Separate the mounting plate from the canopy by unscrewing/removing the Allen screws using the provided Allen wrench.
- 2 Secure the mounting plate to the electrical box with the two #8-32 screws provided.
- 3 Place the fixture on a level surface.
- 4 With the provided Allen wrench, loosen (do not remove) the set screws on the strain reliefs.
- 5 Evenly pull the coaxial cables up through the strain reliefs to raise the fixture to the desired height. **NOTE: Take caution to not remove the inner bushing from inside the strain relief while pulling the coaxial cord through.**
- 6 Ensure that the canopy is level and re-tighten the set screws on the strain reliefs.

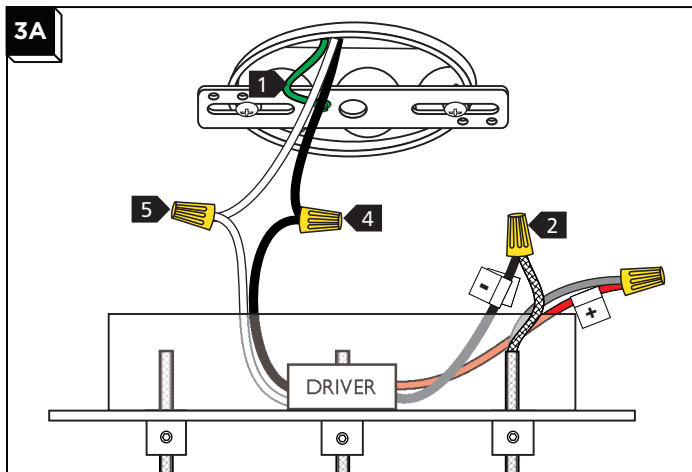
Shorten Cords (Optional)



NOTE: If shortening is necessary, ensure that the cable identifiers are not removed during installation. If no shortening is necessary, skip to section 3A.

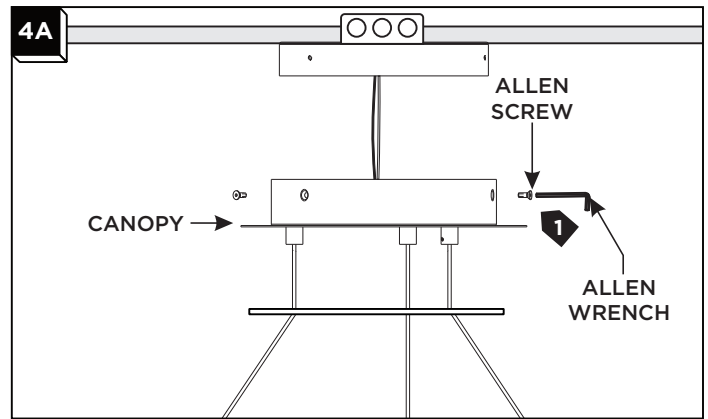
- 1 Leave 6" behind for wire connections, cut off the excess cord. **NOTE: This fixture contains two dummy coaxial cords.**
- 2 From the end of the cord, strip the jacket and braided shield 4" using a sharp knife. **Make sure not to nick the center conductor wire.**
- 3 Strip the end of the center conductor wire.

Wire the Fixture



- 1** Connect the fixture ground wire to a suitable ground in accordance with local electrical codes.
- 2** Connect the braided conductor wire to the black driver wire labeled “-” (negative) with a wire nut. **NOTE: Ensure that the braided shield is being connected, not the center conductor wire.**
- 3** Connect the center conductor wire to the red driver wire labeled “+” (positive) with a wire nut. **NOTE: Ensure that the center conductor wire is being connected, not the braided coaxial shield.**
- 4** Connect the black 120V input to the hot power line wire with a wire nut.
- 5** Connect the white 120V input to the neutral power line.

Install the Fixture

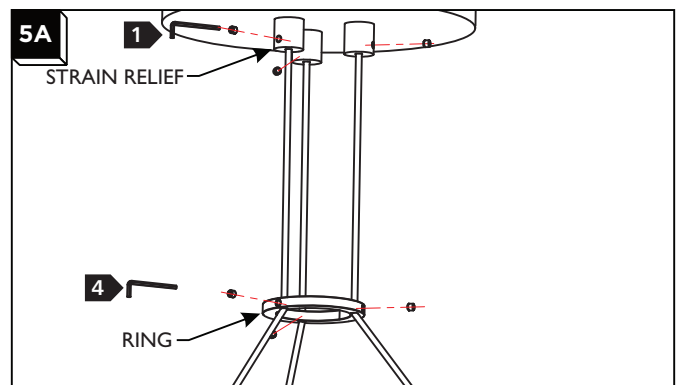


- 1** Place the canopy onto the mounting plate and secure it in place by screwing the reinstalling Allen screws using the provided Allen wrench.

Additional Leveling (optional)

NOTE: If necessary, minor leveling adjustments to the fixture may be needed. It is recommended that one person hold the fixture straight with the use of a level while the other adjusts the coaxial cable.

CAUTION: Only pull out extra cable for leveling if enough cord was left behind the canopy. Minimal amounts of cord should be pulled out for fine leveling.



CAUTION: Make sure to support the fixture if fine leveling is necessary.

- 1** Loosen (do not remove) the set screws on the canopy strain relief on the side which needs adjusting.
- 2** Evenly and gently pull out the coaxial cable, in very small increments, through the strain relief to adjust whichever side to level the fixture.
- 3** Ensure that the fixture is level and re-tighten the set screw on the strain relief.
- 4** To adjust the ring to the desired look, loosen (do not remove) the set screws and slide the ring up or down, then re-tighten the set screws.