

# Interlace Suspension

700INT\_ 1.0

## VISUAL COMFORT & Co.

MODERN COLLECTION

### GENERAL PRODUCT INFORMATION:



These fixtures are intended to be installed utilizing NEC compliant junction boxes.

This product is suitable for damp locations.

This product may be dimmed with a low-voltage electronic dimmer.

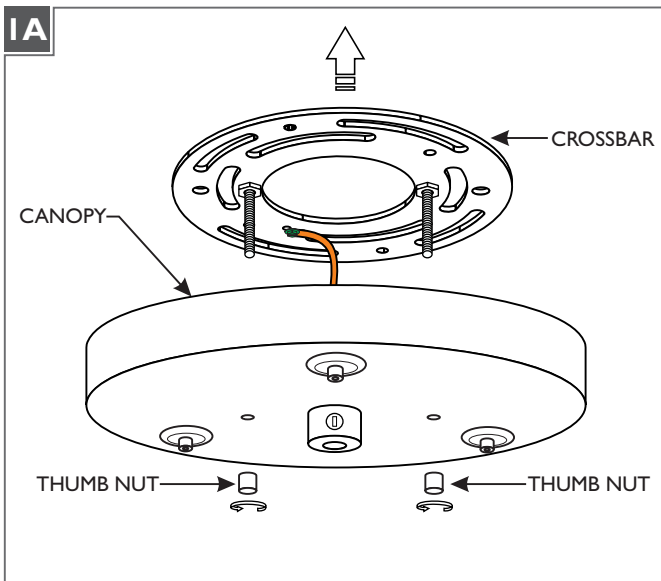


#### CAUTION - RISK OF FIRE

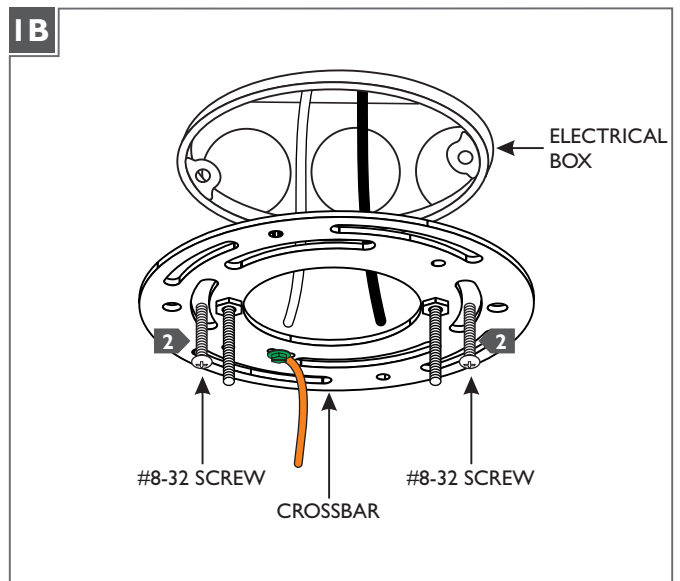
This product must be installed in accordance with the applicable installation code by a person familiar with the construction and operation of the product and the hazards involved.

Use minimum 90°C supply conductors.

### Preparing the Canopy

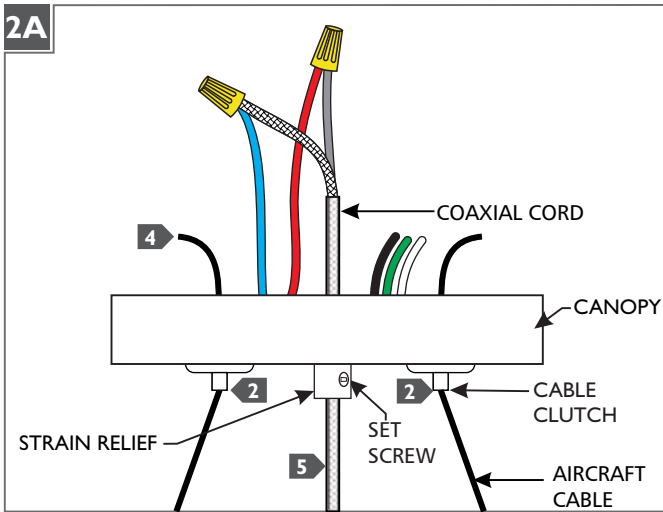


**1** Remove the cross bar from the assembly by unscrewing the two thumb nuts.

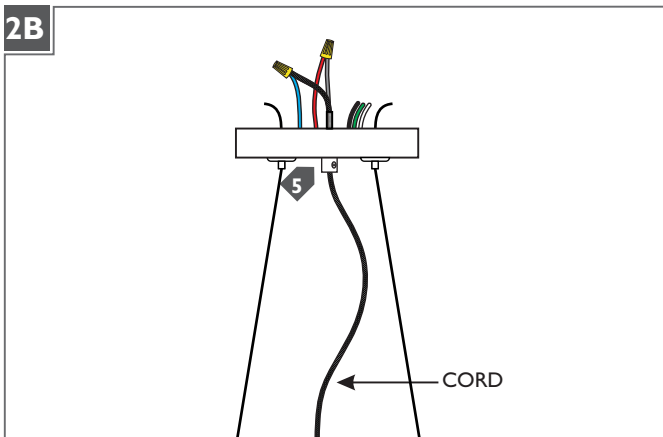


**2** Mount the crossbar to the electrical box with the two #8-32 screws.

# Install the Fixture

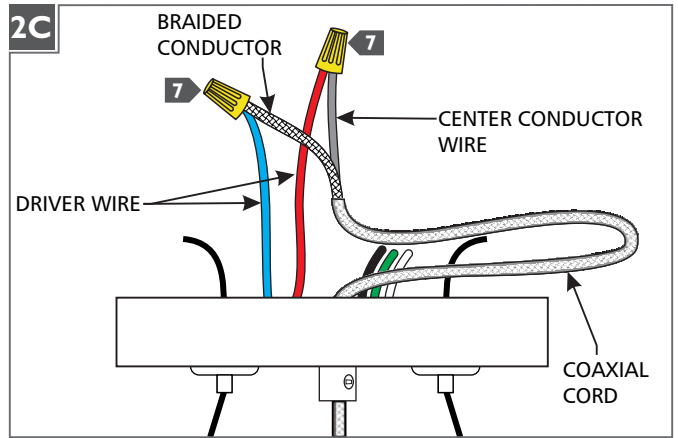


- 1 Place the fixture on a level surface.
- 2 Feed the aircraft cables through the cable clutches in the canopy.
- 3 Evenly pull the aircraft cables up through the canopy to raise the fixture to the desired length.
- 4 Ensure that the canopy is level, then cut off the excess aircraft cable leaving enough for fine leveling later.
- 5 If necessary loosen the set screw in the strain relief and feed the coaxial cord from the fixture into the strain relief.

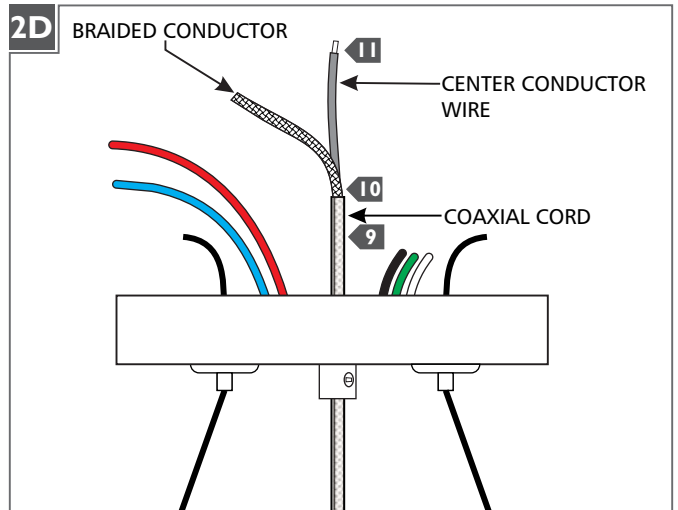


**NOTE:** The coaxial cord does not support the fixture. For a casual "lazy cord" look, cut or leave the coaxial cord several inches longer than the drop height of the fixture.

- 6 Once the desired look is determined, tighten the set screw on the strain relief.

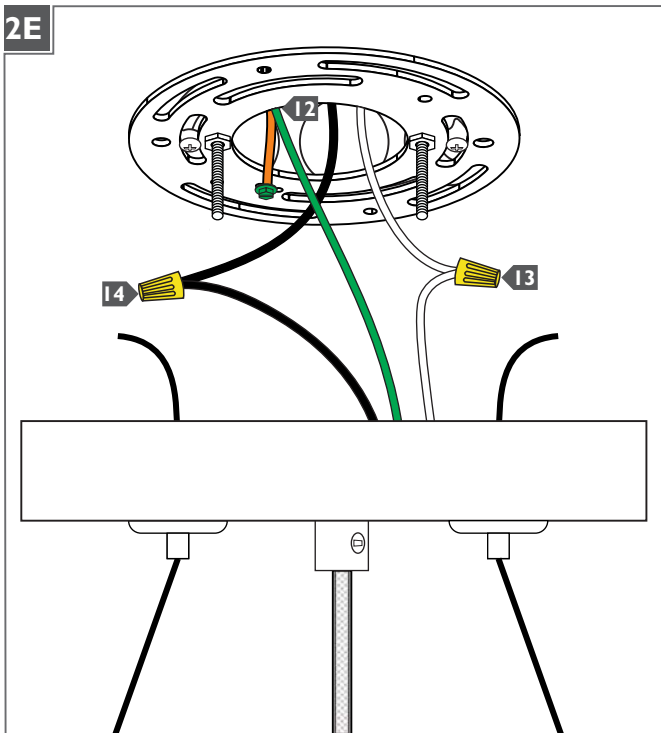


- 7 If shortening of the coaxial cords is necessary, take note of the wire connections between the driver wires and the coaxial cable (center conductor wire and the braided conductor), then remove the wire nuts.

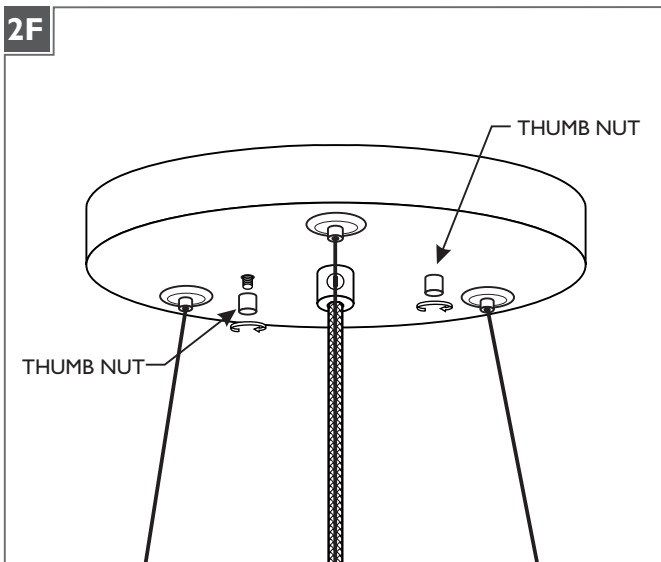


- 8 Leave 6" behind for wire connections, cut off the excess cord.
- 9 From the end of the cord, strip the insulation 4" using a sharp knife. **Make sure not to nick the braided conductor and center conductor wire.**
- 10 **Without nicking the center wire conductor, make a 1/4" cut at the base of the exposed braided conductor and pull the center conductor wire out. Make sure not to further damage the braided conductor while doing so.**
- 11 Strip the end of the center conductor wire and reconnect the coaxial cable to its original connections using the wire nuts.

## Adjust the Suspension Cables (Optional)

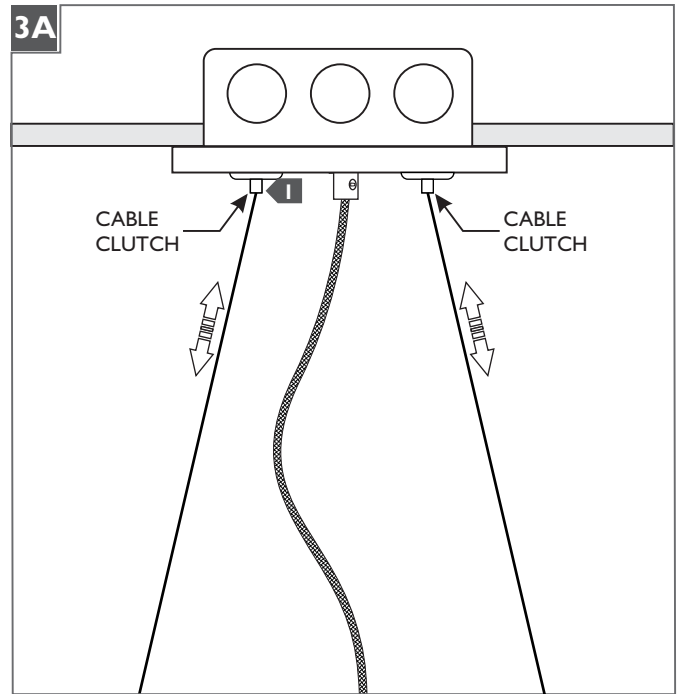


- 12** Connect the driver and the crossbar ground wire to a suitable ground in accordance with local electrical codes.
- 13** Connect the white driver wire to the neutral power line wire.
- 14** Connect the black driver wire to the hot power line wire.



**NOTE:** It is recommended that one person hold the fixture while the electrician finishes the installation.

- 15** Place all wires and wire nut connections properly inside the canopy.
- 16** Install the canopy onto to crossbar as secure it tightly with the two thumb nuts.



- 1** Adjust the aircraft cables until the fixture is level; feed the cable into the cable clutch to raise the fixture and push in on the cable clutch nipple to release the cable and lower the fixture.

**SAVE THESE INSTRUCTIONS!**