

PRODUCT FEATURES



- Morgan's understated elegance allows it to complement a variety of interior styles while serving as a functional light source and a sculptural object in its own right
- Multiple glass options, transparent clear and transparent smoke
- Thick glass, with incredible visual depth balanced by an organic shape
- Fully dimmable warm LED options to create the desired ambiance
- Modern finishes available

LAMPING

ORDERING INFORMATION

AKPD593	COLOR TEMP	FINISH
	WD 3000K-1800K WARM DIM	BBZCE BURNISHED BRONZE WITH CLEAR GLASS BBZSM BURNISHED BRONZE WITH SMOKE GLASS HABCE HAND-RUBBED ANTIQUE BRASS WITH CLEAR GLASS HABSM HAND-RUBBED ANTIQUE BRASS WITH SMOKE GLASS

AKPD593 _____

JOB NAME _____

NOTES _____

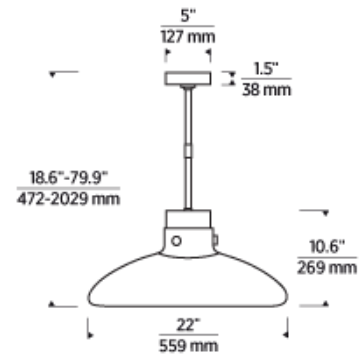


MORGAN 22 PENDANT

VISUAL COMFORT & Co.

SPECIFICATIONS

PRIMARY MATERIAL	Brass
SHADE MATERIAL	Glass
NET WEIGHT	10 lbs
HEIGHT	10.6in
WIDTH	22in
LENGTH	22in
WET LISTED	
DAMP LISTED	
DRY LISTED	
GENERAL LISTING	ETL Listed
INCLUDES	



LAMPING SPECIFICATIONS

	LED LAMP	INTEGRATED LED	NON LED	NO LAMP
DELIVERED LUMENS		805		
WATTS		18.5		
MAX WATTAGE PER BULB		18.5W		
		120V-277V 0-10, ELV, TRIAC		
CCT		3000K-1800K		
CRI		90 CRI		
LED LIFETIME				
L70		>50,000		
AVERAGE BULB HOURS				
FIELD SERVICEABLE LED				
LAMP BASE		Dedicated LED		
LAMP SHAPE		Dedicated LED		
LAMP INCLUDED?		True		
WARRANTY**		5 Years		

* Dimming information available at www.techlighting.com/Downloads#dimming

** Visit techlighting.com for specific warranty limitations and details.

T20 / T24 / JA8 INFORMATION

	Integrated LED	Replacement LED Lamp	No Lamp *
This product can be used to comply with California Building Energy Efficiency Standards 2016 Title 24 Part 6 / JA8.	No		
This product can be used to comply with California Appliance Efficiency Standards 2016 Title 20 and may be shipped to and sold in California.			

* If a light fixture or component does not include a lamp or light source, it is the responsibility of the customer to select a lamp that meets the T24 and T20 requirements.

