

**SEMI-FLUSH FIXTURE**  
**INSTALLATION INSTRUCTIONS**

Please read carefully and save these instructions, as you may need them a later date.

**CAUTION**

Turn off the main power at the circuit breaker before installing the fixture, in order to prevent possible shock.

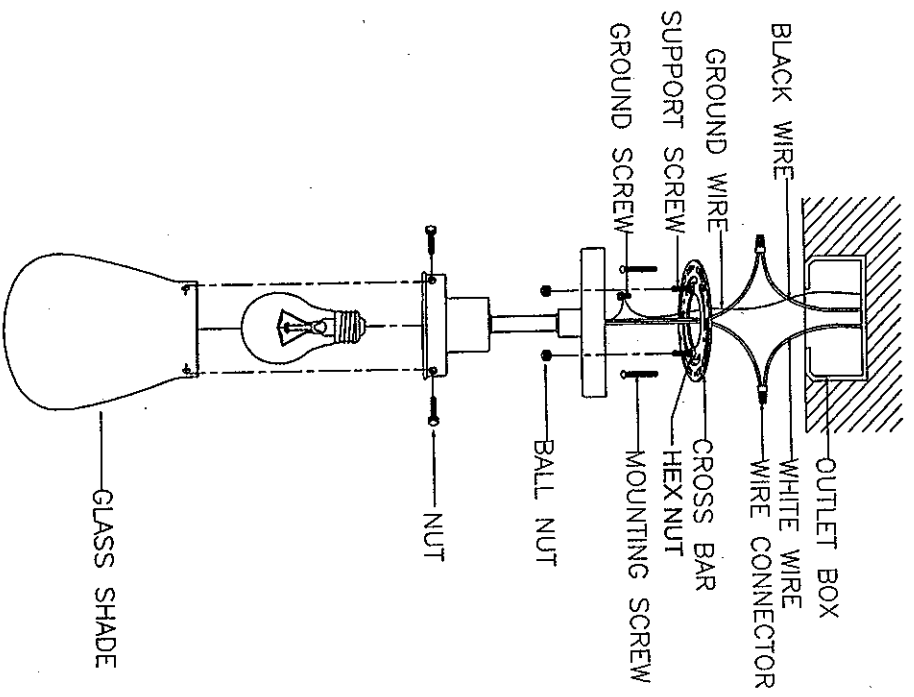
**GENERAL**

All electrical connections must be in accordance with local and National Electrical Code (N.E.C.) standards. If you are unfamiliar with proper electrical wiring connections obtain the services of a qualified electrician. Remove the fixture and the mounting package from the box and make sure that no parts are missing by referencing the illustrations on the installation instructions.

**ASSEMBLY AND INSTALLATION**

- 1, Attach the Support Screw with the Hex Nut to the Cross bar, then attach the Cross Bar to the Outlet Box by using 2pcs Mounting Screws
- 2, Make wire connections:
  - Twist together the white wire from the fixture with the white wire from outlet box. Cover with wire connector
  - Twist together the black wire from the fixture with the black wire from outlet box. Cover with wire connector
  - Attach the ground wire to the cross bar with a green ground screw.
- 3, Place the Canopy against the Outlet box, secure with the Ball nut.
- 4, Install bulbs. (Please do not exceed the maximum capacity which is recommended on the sockets).
- 5, Put the glass onto the socket, then use the nut screw it tightly.

INSTALLATION IS NOW COMPLETED.



ITEM NO. 1237-BN-471, 1237-CH-471  
1237-DG-471