

# Solaira<sup>o</sup>

The Architect and Engineer's Choice

Solaira 4" Square Posts are made of high strength aircraft aluminum. The post is watertight and includes a 6AWG internal grounding lug allowing connection to building power to be made inside the post. Heaters come stock with stainless steel fasteners and post components are polyester powder coated for corrosion resistance. Heaters are to be wired by licensed contractor and must follow local Electrical Code.

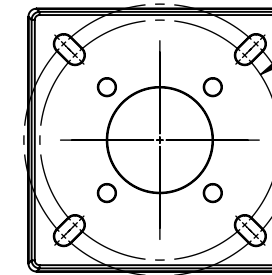
### CONSTRUCTION:

- Extruded Aircraft Aluminum Post
- Solid Cast Aluminum Base
- Rubber Gaskets
- 18-8 Stainless Steel Hardware
- Durable Polyester Powder Coat

### NOTES

- CONTRACTOR REQUIRED TO DRILL NPT THRU HOLES FOR CABLE STRAIN RELIEFS. CONNECTION MUST BE WATERTIGHT PER LOCAL ELECTRICAL CODE. STRAIN RELIEFS NOT PROVIDED.
- INTERNAL GROUNDING LUG MUST BE USED TO GROUND POST
- 2 X 5" ACCESS PORT CONCEALS INTERNAL GROUNDING LUG

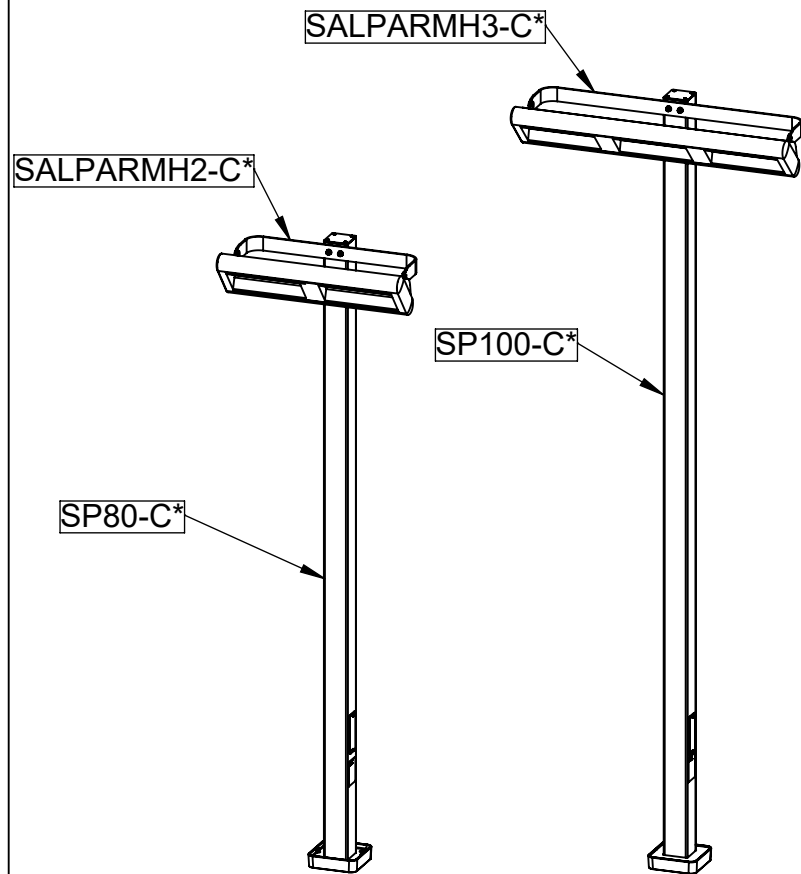
### CAST ALUMINUM BASE



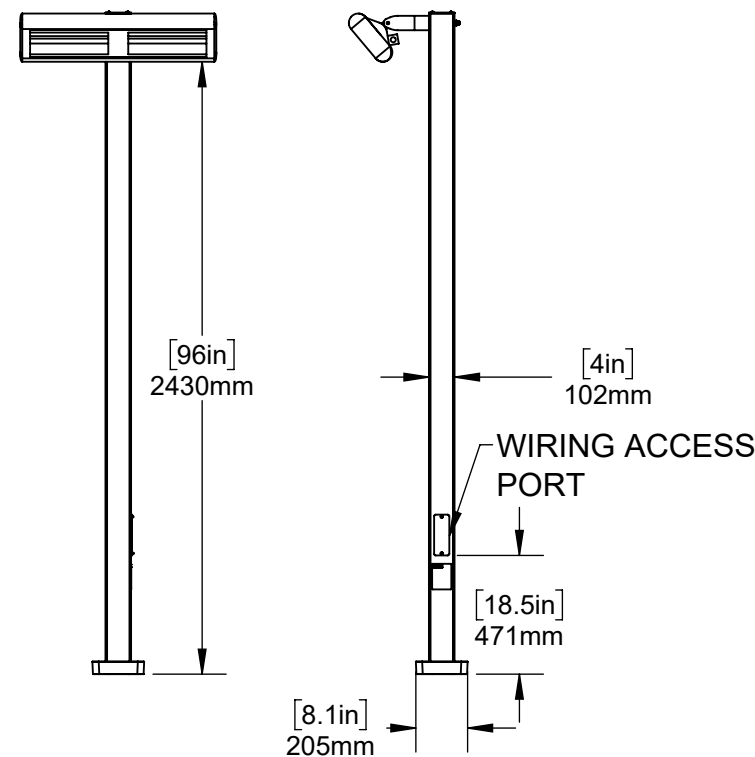
[7.5in]  
Ø 191mm  
MINIMUM BOLT CIRCLE DIAMETER

[8.5in]  
Ø 216mm  
MAXIMUM BOLT CIRCLE DIAMETER

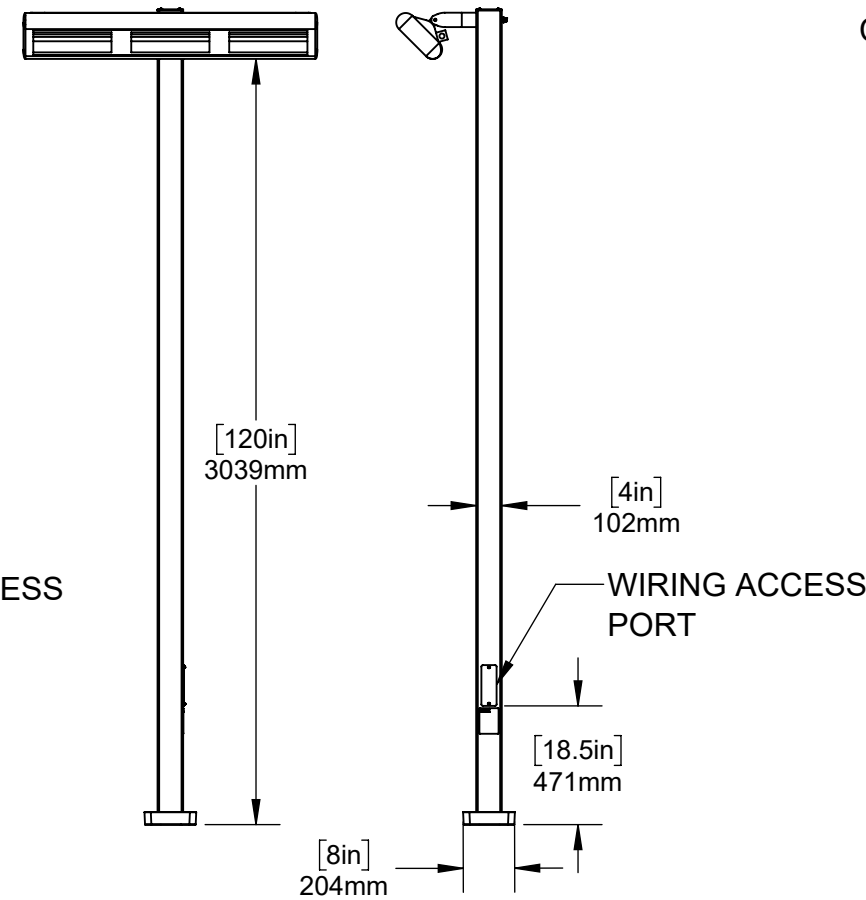
WARNING! ANCHOR BOLT SYSTEM FOOTING STUD DEPTH IS RESPONSIBILITY OF CONTRACTOR



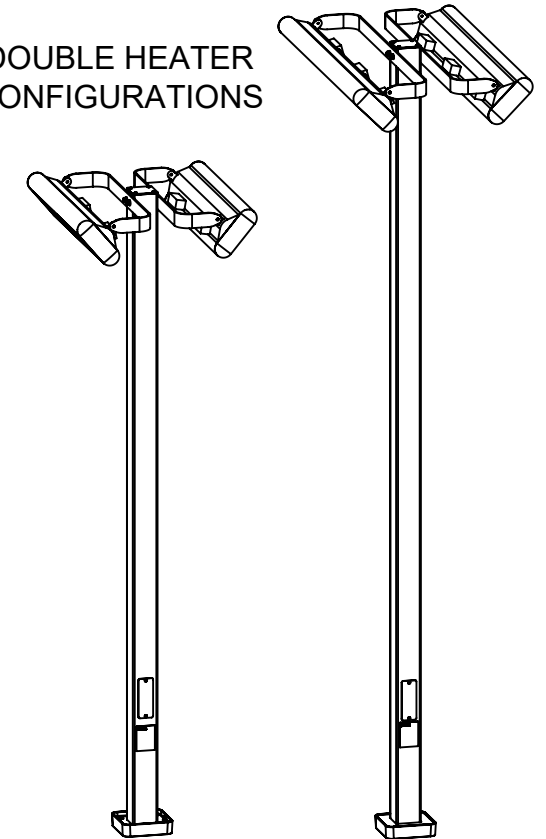
### 8' POST



### 10' POST



### DOUBLE HEATER CONFIGURATIONS



### POST AND ACCESSORY PART NUMBERS

PART NUMBER	DESCRIPTION	USE WITH
SALPARMH2-C*	CENTER MOUNT ALPHA H2 BRACKET	SOLAIRA ALPHA H2
SP80-C*	SOLAIRA 8' SQUARE POST	SOLAIRA ALPHA H2
SALPARMH3-C*	CENTER MOUNT ALPHA H3 BRACKET	SOLAIRA ALPHA H3
SP100-C*	SOLAIRA 10' SQUARE POST	SOLAIRA ALPHA H3

\*C DENOTES COLOUR. STANDARD ALPHA COLOUR IS RAL 9007 - ANTIQUE GREY

### POST WARNINGS

1. CAUTION! FIXED LOCATION POST. POST MUST BE SECURELY FIXED TO GROUND USING 1/2" DIAMETER ANCHOR STUDS. INSTALLER IS RESPONSIBLE FOR STRENGTH OF CONNECTION BETWEEN POST BASE AND GROUND
2. WARNING! RISK OF FIRE - KEEP CUMBUSTIBLE MATERIALS 6' AWAY FROM FRONT OF HEATER
3. CAUTION! HEATER CLEARANCE REQUIREMENTS MUST BE FOLLOWED. REFER TO HEATER MANUAL
4. CAUTION! DO NOT OVERTORQUE POST BASE DURING CONNECTION TO GROUND! HARDENED 1/2" X 1" OD WASHERS MUST BE USED IN CONNECTION OF POST BASE TO GROUND
5. WARNING! RISK OF ELECTRIC SHOCK - POST AND HEATER MUST BE GROUNDED USING INTERNAL GROUNDING LUG

SHEET NO.  
1 OF 1

SHEET SCALE  
1:30

SHEET SIZE  
11X17

**B1** 2022-07-18

REVISION DATE: YYYY-MM-DD

**Solaira<sup>o</sup>**  
The Architect and Engineer's Choice

MODEL  
**ALPHA POSTS**

NOTICE: THIS DOCUMENT IS NOT A SUBSTITUTE FOR APPROVED MANUAL. Failure to follow instruction manual may cause fire, electric shock or injury to persons. Solaira™ is a registered trademark of Inforesight Consumer Products. Customer, contractor specifier and installer understands that some or all products provided by Inforesight Consumer Products Inc. may not be available for purchase or installation in certain jurisdictions or geographical areas. Inforesight Consumer Products Inc. reserves the right, in its sole discretion, to exclude or otherwise limit the provision of any product to a person or entity residing in any jurisdiction or geographical area outside of Canada. Inforesight Consumer Products Inc. provides general product installation guidelines and procedures and Customer, contractor, specifier and installer understands that Customer, contractor, specifier and installer is solely and exclusively responsible for installation of the product and ascertaining all applicable local municipal, provincial, state, and federal NEC (National Electrical Code) rules, by-law, ordinances and guidelines applicable to the installation of any Inforesight Consumer Products Inc. products. Customer contractor, specifier and installer must strictly adhere to and be compliant with the local rules, laws, ordinances and legal requirements for the safe installation and use of any Inforesight Consumer Products Inc. products. Instruction manuals are included with the product packaging and copies of our instruction manuals are available upon request. Under no circumstances shall Inforesight Consumer Products Inc. or its affiliated entities, employees, agents, shareholders, officers or directors be liable to Customer or any third party for any product installations and Customer, contractor, specifier and installer releases Inforesight Consumer Products Inc. from any and all losses, death, personal injury, property damage, other damages, rights, claims, demands and actions of any kind arising from the Customer's installation and use of the product, whether the installation was or was not in accord with the provided instruction manual and/or in compliance with applicable local laws. Solaira products are to be installed by licensed technicians per instruction manuals and to all provincial/state and national (N.E.C.) code requirements; specifications subject to change without notice.