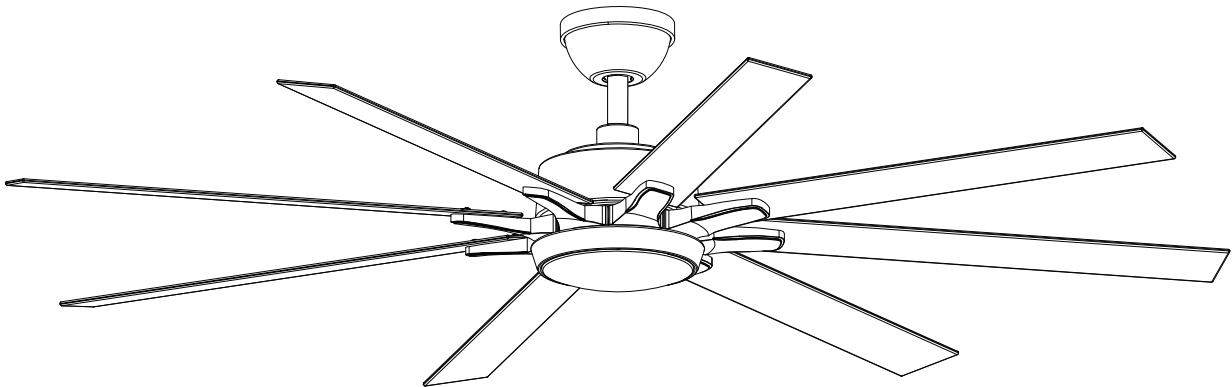


# 65" SkyPlug Ceiling Fan USER MANUAL

For Models:  
F8261 / 2122

120V~ 60Hz,  
Suitable for damp locations  
MADE IN CHINA



Scan to review  
SkyOutlet  
installation video.



Scan to review fan  
wiring and assembly  
installation video.



## CUSTOMER SERVICE

1-855-759-7584 | 9am-5pm EST Mon-Fri  
[www.SKYPLUG.com](http://www.SKYPLUG.com) | [support@skyplug.com](mailto:support@skyplug.com)

# TECHNICAL INFORMATION

SKU#	Rated Voltage	Rated Power (motor)	Light
F8261110V	110-120 VAC	38W ± 5W	1*LED MODULE Max. 24W
F8261WH110V	110-120 VAC	38W ± 5W	1*LED MODULE Max. 24W
F8261BK110V	110-120 VAC	38W ± 5W	1*LED MODULE Max. 24W

## Care And Clean

1. Check the support connections, brackets, and airfoil attachments twice a year. Make sure they are secure. Because of the fan's natural movement, some connections may become loose over time. It is not necessary to remove the fan from the ceiling.
2. Clean your fan periodically. Use only a soft brush or lint-free cloth to avoid scratching the finish. The plating is sealed with a lacquer to minimize discoloration or tarnishing.
3. (Optional) Apply a light coat of furniture polish to the wood blades.
4. (Optional) Cover small scratches with a light application of shoe polish.

### DO NOT:

1. Use water when cleaning. Water could damage the motor, or the wood, or possibly cause an electrical shock.
2. Apply oil to your fan or motor, the motor has permanently lubricated sealed ball bearings.

 **NOTE:** Power off the fan before product maintenance or cleaning the fan.

## FCC Statement

NOTE: This equipment has been tested and found to comply with the limits for a Class B digital device, pursuant to part 15 of the FCC Rules. These limits are designed to provide reasonable protection against harmful interference in a residential installation. This equipment generates uses and can radiate radio frequency energy and, if not installed and used in accordance with the instructions, may cause harmful interference to radio communications. However, there is no guarantee that interference will not occur in a particular installation. If this equipment does cause harmful interference to radio or television reception, which can be determined by turning the equipment off and on, the user is encouraged to try to correct the interference by one or more of the following measures:

- Reorient or relocate the receiving antenna.
- Increase the separation between the equipment and receiver.
- Connect the equipment into an outlet on a circuit different from that to which the receiver is connected.
- Consult the dealer or an experienced radio/TV technician for help.

**WARNING:** Changes or modifications to this unit not expressly approved by the party responsible for compliance could void the user's authority to operate the equipment.

# IMPORTANT SAFETY INSTRUCTION

## READ AND SAVE THESE INSTRUCTIONS

1. To reduce the risk of electric shock, ensure electricity has been turned off at the circuit breaker or fuse box before beginning.
2. All electrical connections must be made in accordance with local codes, ordinances and/or the National Electric Code. Electrical installation should be performed by a qualified licensed electrician.
3. **WARNING/AVERTISSEMENT:** To reduce the risk of electrical shock or fire, do not use this fan with any solid-state fan speed control device. It will permanently damage the electronic circuitry.
4. **CAUTION/ATTENTION:** To reduce the risk of personal injury, use only the screws provided with the outlet box.
5. The weight of the unit is **17.2lbs (7.8kg)**. The outlet box and support structure must be securely mounted and capable of reliably supporting a minimum of 15.9 kg (35lb.). Use only UL Listed outlet boxes marked "FOR FAN SUPPORT".
6. The fan must be mounted with a minimum of 7 ft (2.1m) clearance from the trailing edge of the blades to the floor.
7. Avoid placing objects in the path of the blades.
8. To avoid personal injury or damage to the fan and other items, be cautious when working around or cleaning the fan.
9. Do not use water or detergents when cleaning the fan or fan blades. A dry dust cloth or lightly dampened cloth will be suitable for cleaning.
10. After making electrical connections, spliced conductors should be turned upward and pushed carefully up into the outlet box. The wires should be spread apart with the grounded conductor and the equipment-grounding conductor on one side of the outlet box and ungrounded conductor on the other side of the outlet box.
11. All screws must be checked and re-tightened where necessary during installation.
12. This fan is suitable for room sizes over **20 ft x 20ft (6m x 6m)**.
13. The heater has hot and arcing or sparking parts inside. Do not use it in areas where gasoline, paint or flammable vapors or liquids are used or stored.
14. This heater is hot when in use. To avoid burns, do not let bare skin touch hot surfaces. Keep combustible materials, such as furniture, pillows, bedding, papers, clothes, etc. and curtains at least 3 ft (0.9 m) from the front of the heater and keep them at least 3 ft (0.9m) away from the sides and rear.
15. Extreme caution is necessary when any heater is used by or near children or invalids and whenever the heater is left operating and unattended.
16. Do not operate any heater after it malfunctions. Shut off power at wall switch and have heater inspected by a reputable electrician before reusing.
17. To disconnect heater, turn on switch controls to off, and turn off power to heater circuit at main disconnect panel or operate internal disconnect switch if provided.
18. The thermal protection activation indicates that the unit has been subjected to abnormal operating conditions. If the thermal protection remains activated or activates and deactivates repeatedly, it is recommended that a qualified electrician or a certified repair center examine the unit in order to make sure it is not damaged.
19. The heaters are intended to provide supplemental heat and not to take the place of a home's main heat source.
20. Do not block air intakes or exhaust in any manner as this may cause an electric shock or fire, or damage the heater.
21. Do not insert or allow foreign objects to enter any or exhaust opening as this may cause an electric shock or fire, or damage the theater.
22. The heater is for indoor use or damp location use such as basement or covered porches. Do not use outdoors in direct exposure to wet locations and rain.
23. Use this heater only as described in this manual. Any other use not recommended by the manufacturer may cause fire, electric shock, or injury to persons.
24. Before touching any wire, use a voltage tester to make sure it's not live. Tape a sign to the panel warning others to leave the circuit alone while you work.
25. Vaulted ceiling angle is not to exceed 15 degrees.



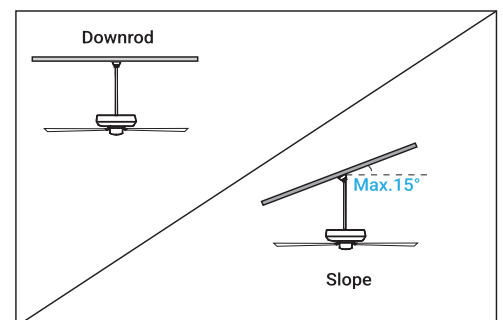
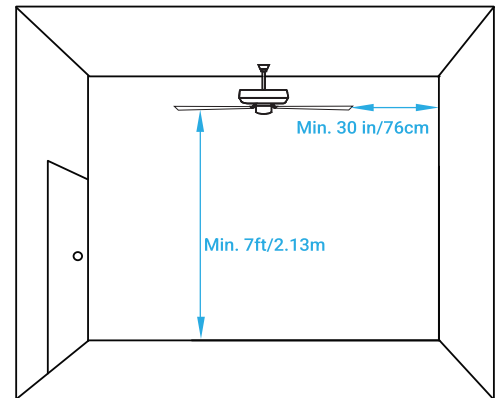
### WARNING/AVERTISSEMENT:

To reduce the risk of fire, electric shock or personal injury, mount to outlet box marked "acceptable for fan support of 15.9 kg (35 lb.) or less" and use mounting screws provided with the outlet box. Most outlet boxes commonly used for the support of light fixtures are not acceptable for fan support and may need to be replaced. Due to the complexity of the installation of this fan, a qualified licensed electrician is strongly recommended.

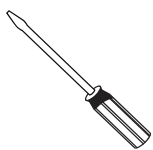


### CAUTION/ATTENTION:

Do not use wall switch with dimmer function.



## Tools Needed (Not Supplied)



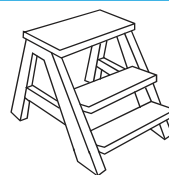
Flathead Screwdriver  
(1#screwhead recommended)



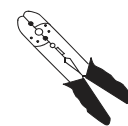
Phillips Screwdriver



Safety Glasses



Step Ladder



Wire Stripper



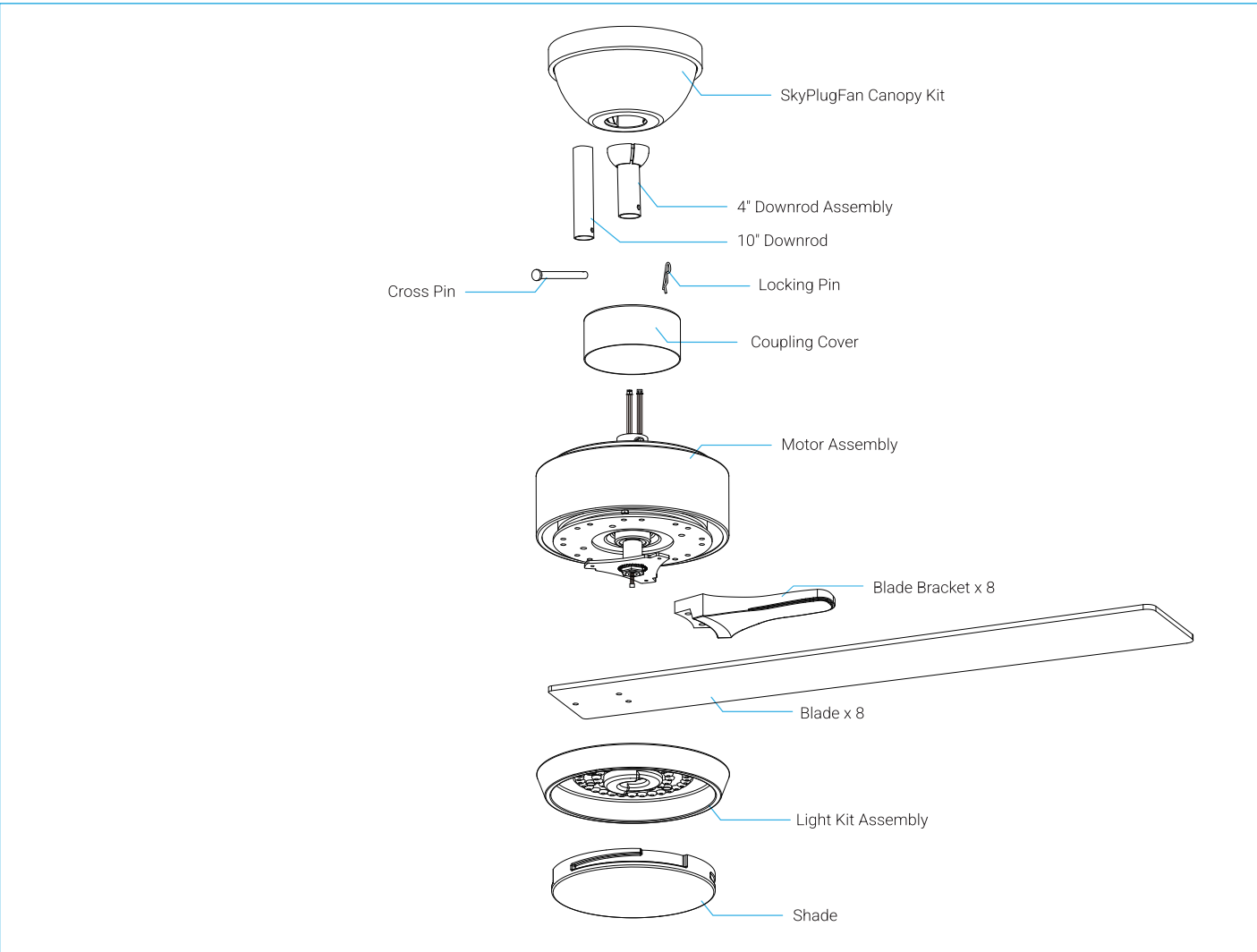
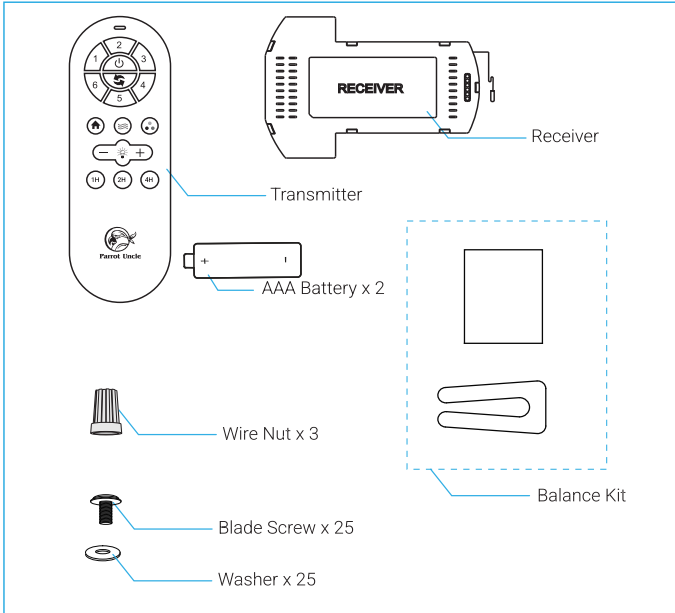
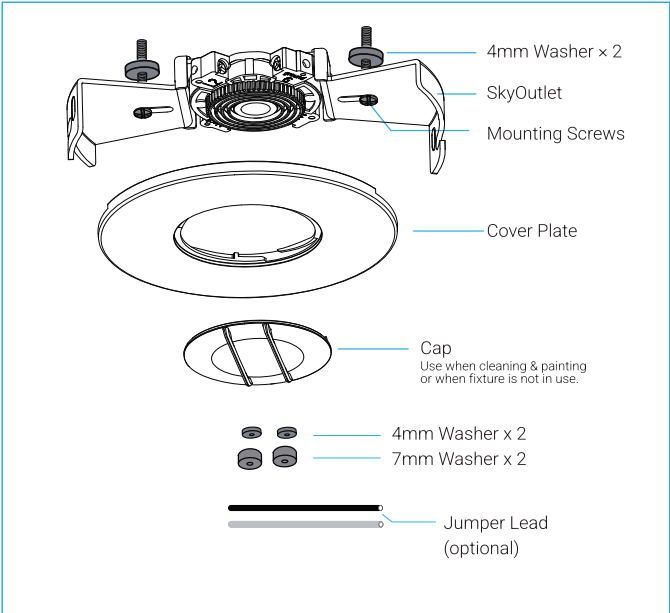
Soft Cloth

# Parts Included

Carefully unpack and identify each part to make sure you have everything ready for installation. Lay out each part on a clean area such as a table or floor. Check to make sure you have the following:



**ATTENTION:** Parts are not to scale.



# SkyOutlet Installation



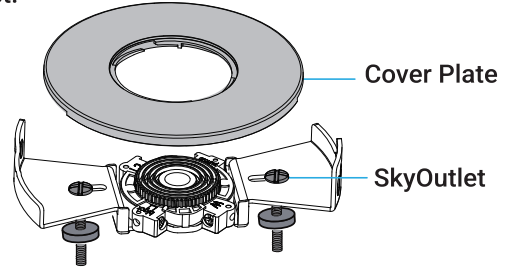
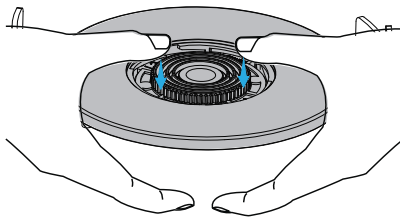
Scan the QR code to view SkyOutlet installation video.

## CUSTOMER SERVICE

1-855-759-7584 | 9am-5pm EST Mon-Fri  
www.SKYPLUG.com | support@skyplug.com

### 1 Prepare for SkyOutlet Installation

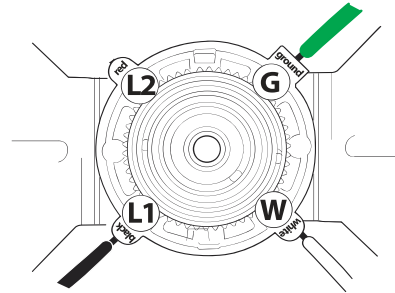
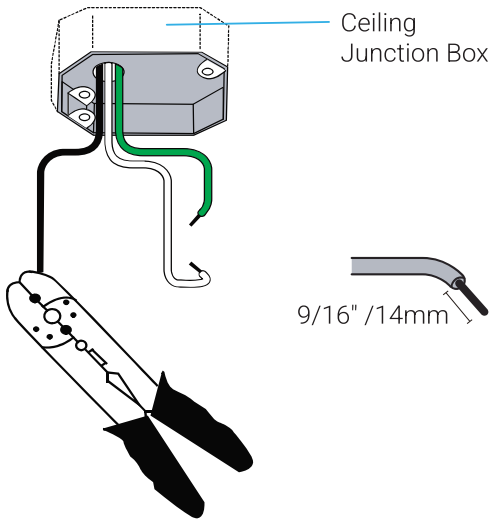
Push the middle of SkyOutlet to separate cover plate and SkyOutlet.



### 2 Wire SkyOutlet to ceiling junction box.

1. Strip wire to 9/16"/14mm.

2. Loosen terminal screws to insert branch circuit wires into the corresponding terminals. Tighten to secure wires. Check to make sure wires are securely inserted into terminals. Set screw torque value at 6.3 lb/in.



**NOTE:** Typical wire configuration for fans with remote control is on the page 7.

If you do not have standard wiring configurations, please contact a qualified electrician or call customer service 1-855-759-7584.

### 3 Secure SkyOutlet to outlet box using 2 screws and washers(included).

#### IMPORTANT:

If the outlet box is recessed, use included washers to align the SkyOutlet flush with the ceiling surface. (see below Figure A)

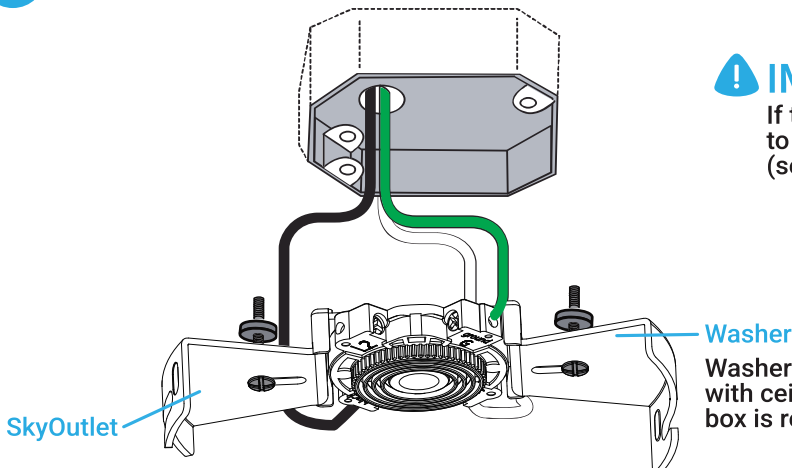
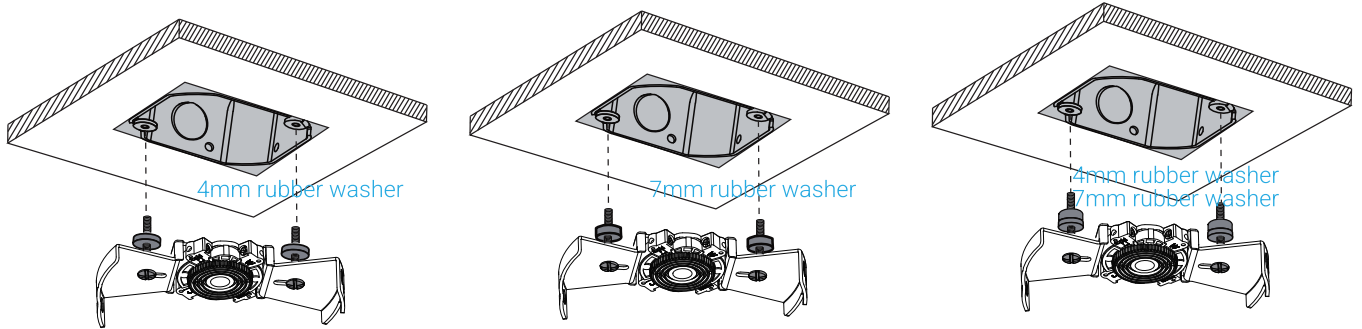
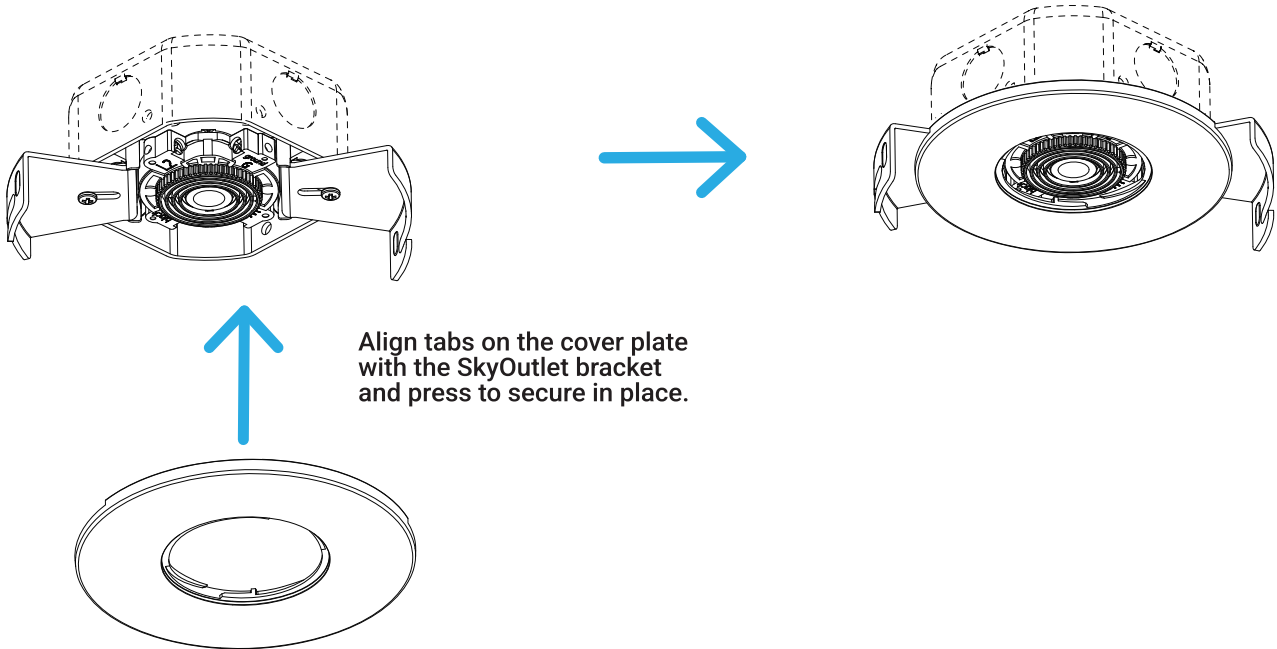


Figure A

**! IMPORTANT:** If your box is flush with ceiling or recessed less than 1.5 mm (0.06"), use 4 mm washer. If recessed between 1.5 mm (0.06") and 3 mm (0.12") use larger 7 mm rubber washer. If recessed more, use combination of both washers.

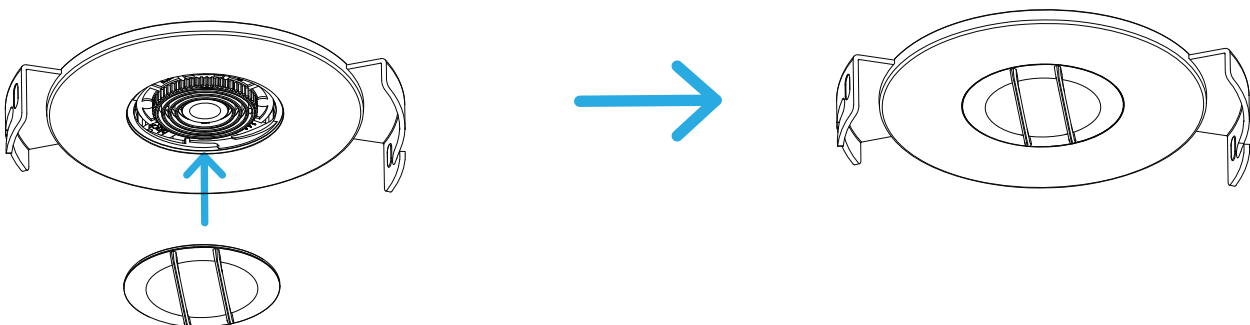


**4** Secure cover plate as shown.



**! NOTE:**

A center cap is provided to cover and protect the SkyOutlet when the light fixture is removed for painting, maintenance, etc. To install the center cap, align the two slots on the cover plate and turn to secure.

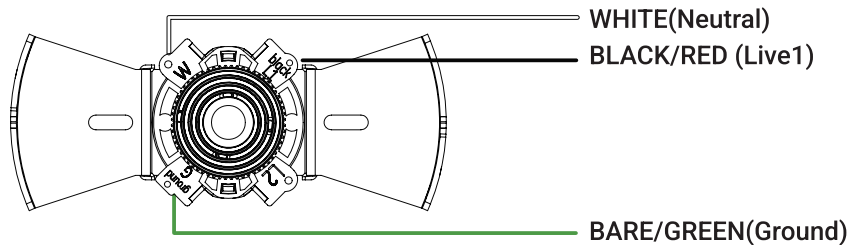


# Typical Wire Configuration for Fans with Remote Control

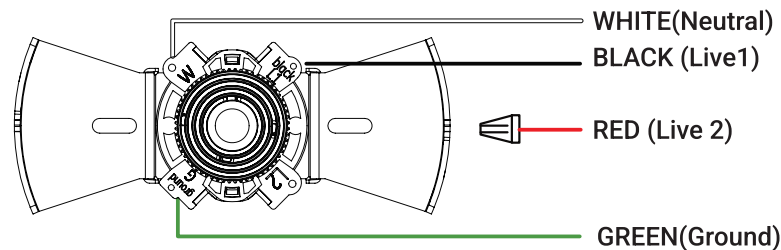
## ! IMPORTANT:

For remote control fans, L1 is the only active live /hot terminal. The hot/live wire from house supply must be inserted into L1 terminal for the fan to operate. The remote will control operate the fan and light separately.

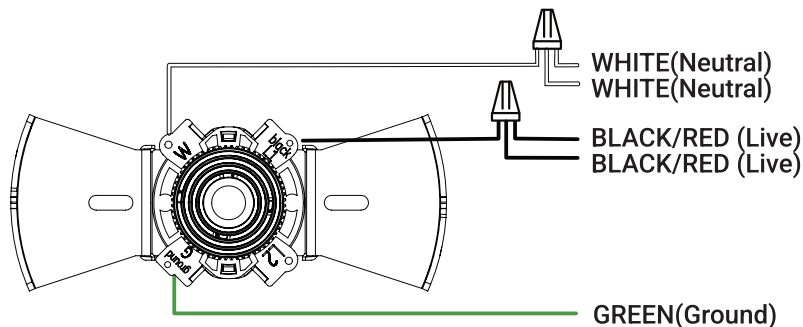
WIRING DIAGRAM #1:  
Typical Wiring  
Configuration  
for 1 Wall Switch



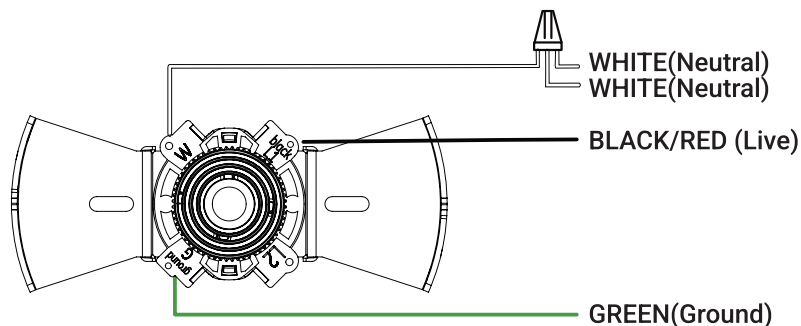
WIRING DIAGRAM #2:  
Typical Wiring  
Configuration  
for 2 Wall Switches



WIRING DIAGRAM #3:  
Typical Wiring  
Configuration  
for 2 Wall Switches



WIRING DIAGRAM #4:  
Wiring Configuration  
with more than 1  
of the same colored  
wires in the outlet box



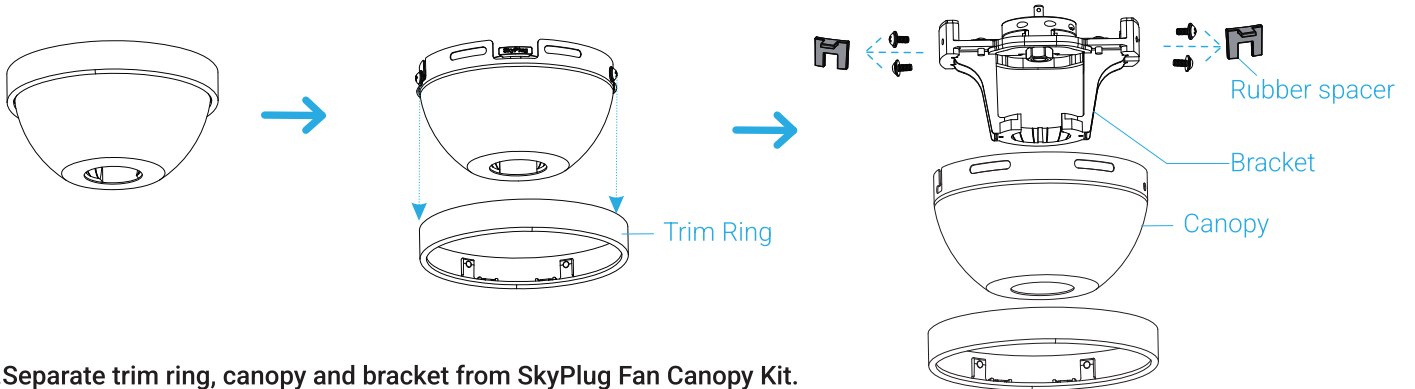
## ! NOTE:

If you do not have standard wiring configurations and have questions about the wiring in your outlet box, please contact a qualified electrician, or call customer service 1-855-759-7584.

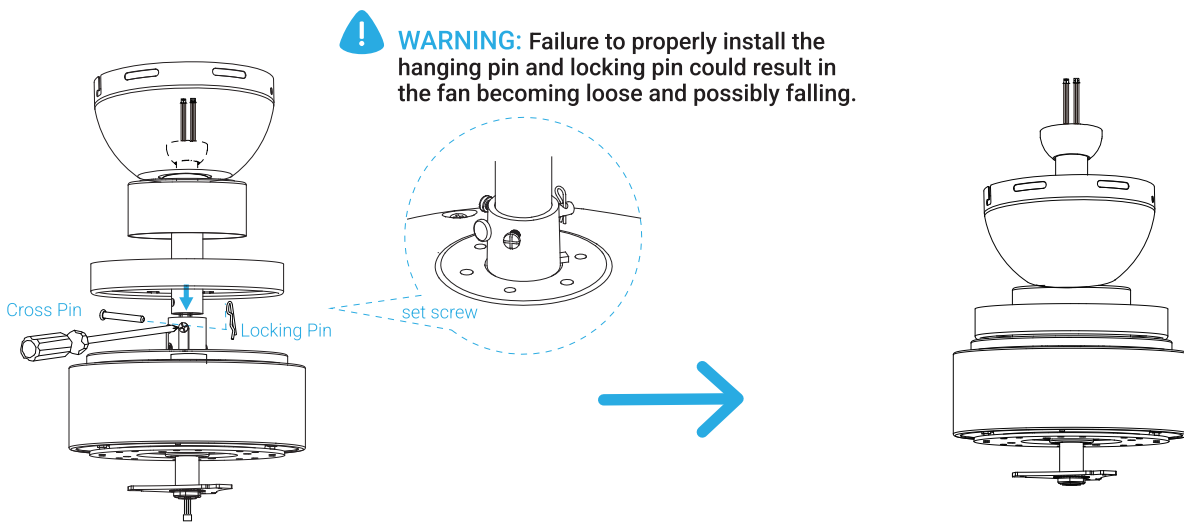
If you have multiple wires connected together, add a jumper lead and insert jumper lead into terminal. Only one single wire can be inserted into terminal.

# Fan Assembly to SkyPlug Canopy

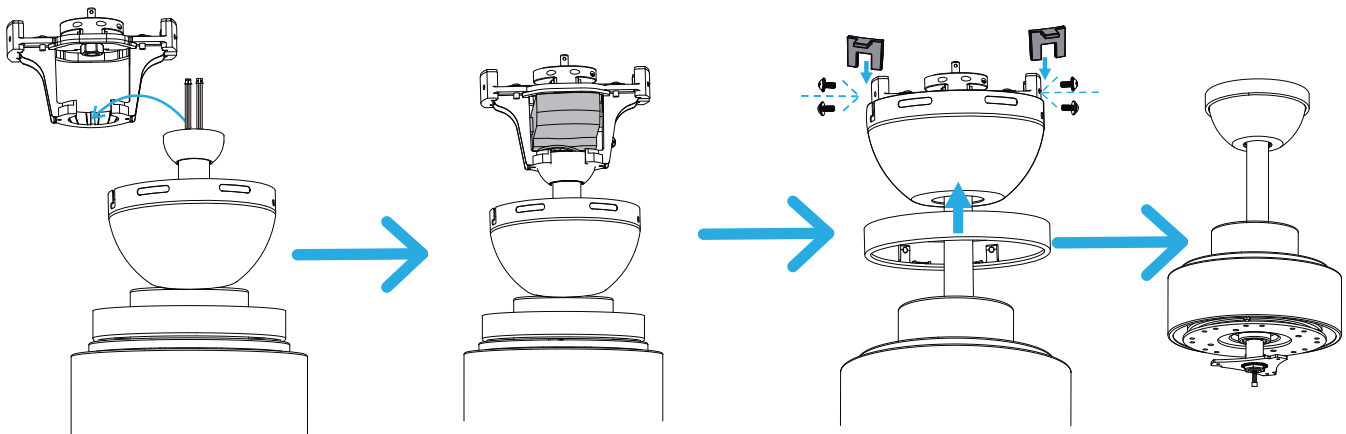
5



1. Separate trim ring, canopy and bracket from SkyPlug Fan Canopy Kit.

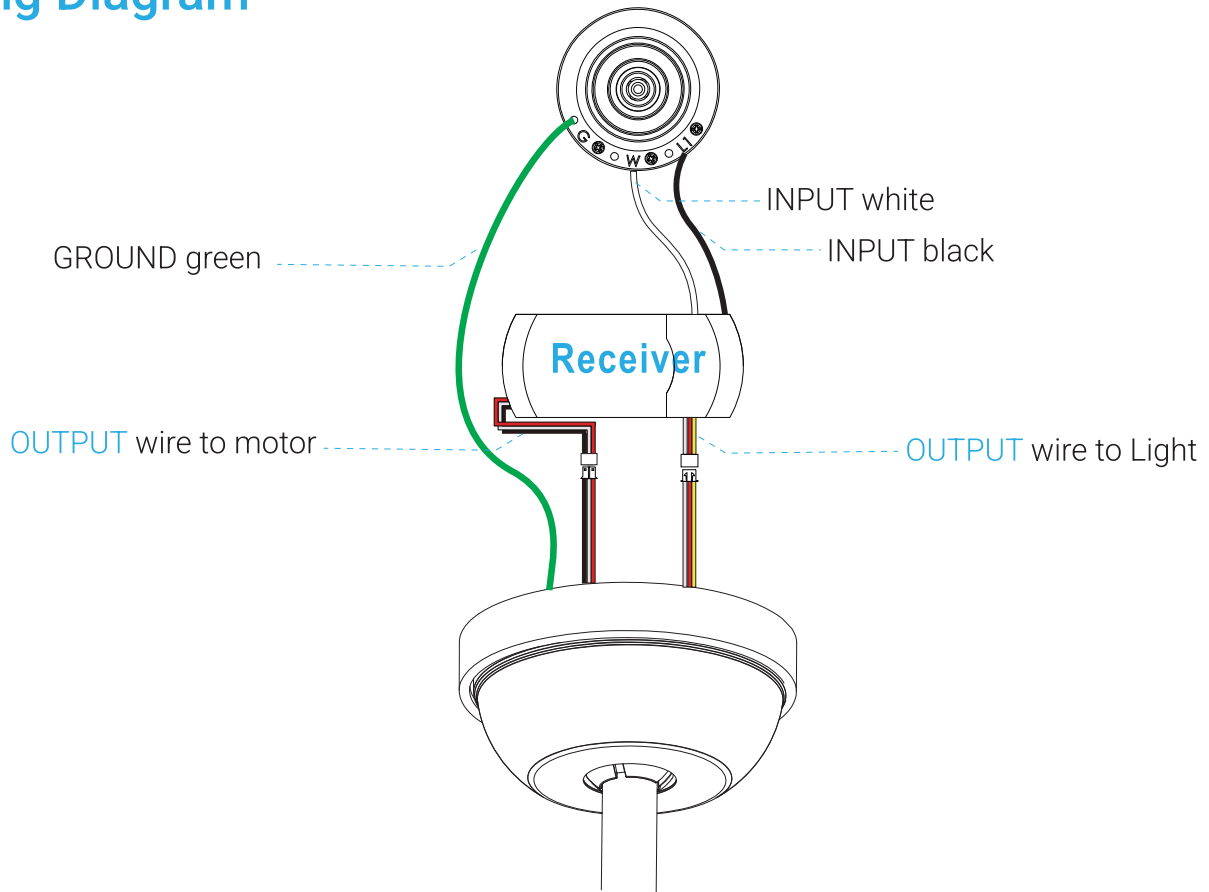


2. Place trim onto the motor housing, slide coupling cover and canopy onto downrod assembly, feed wires through downrod assembly. Install hanging pin and locking pin on the collar, secure the set screws.



3. Put hanger ball onto bracket and insert receiver. Wire the receiver and plug ( see next page wiring diagram for more details), insert rubber insert between canopy and bracket to lock the screws.

# Wiring Diagram



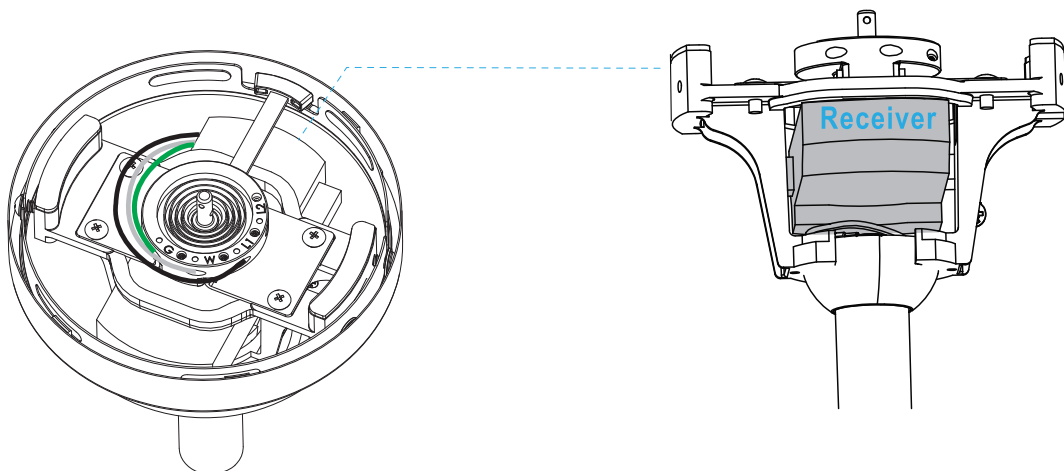
**CAUTION:** Do not mix up remote OUTPUT to motor and light wires. Don't place wires over the plug.

1. Connect black from receiver INPUT to L1, connect white from receiver INPUT to W, connect green from fan to G.

Using cable tie to manage wires ensure wires are not over plug.

2. Insert the terminal of the light wire from fan to the terminal of the OUTPUT light wire. Insert the terminal of the motor wire from fan to the terminal of the OUTPUT motor wire.
3. Place wires and terminal below the bracket to ensure they're not over the bracket.

**CAUTION:** Do not mix up remote OUTPUT to motor and light wires. Don't place wires over the plug.

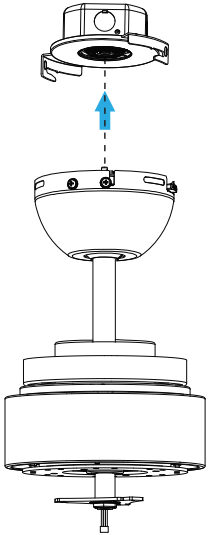


# Fan Installation

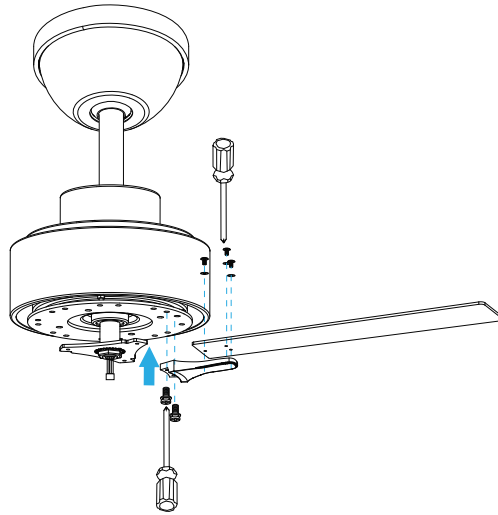
## THERE ARE TWO OPTIONS TO INSTALL THE FAN.

**OPTION 1:** Install fan body to ceiling and then complete the assembly of fan parts with fan body mounted on the ceiling.

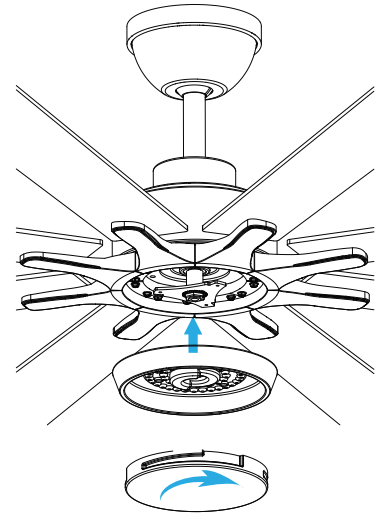
-For this installation, follow steps to install fan body to ceiling and then refer to your specific fan instructions for attaching blades, light kit and light shade to fan body.



See step 6-12  
Install fan body to ceiling



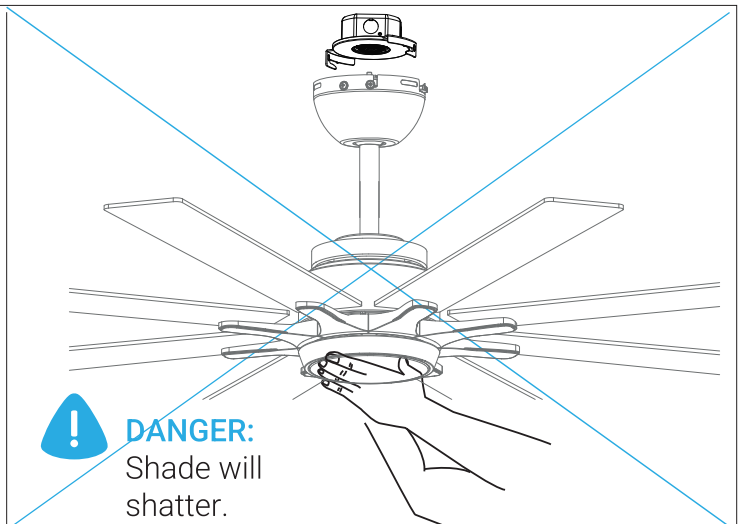
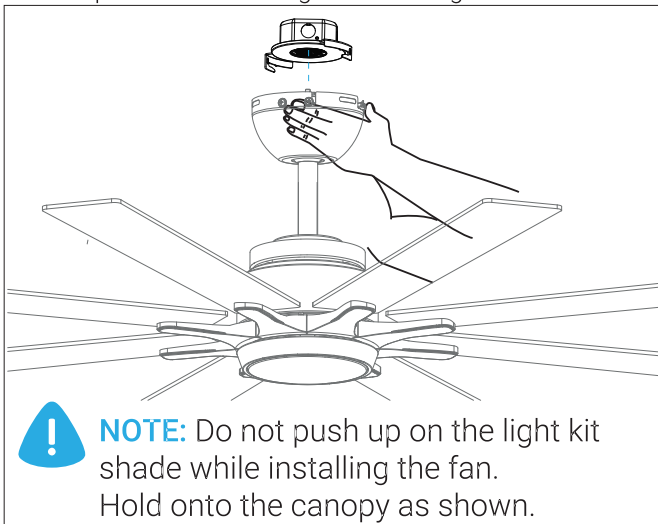
Attach blade brackets  
and blades



Attach light kit assembly  
and light shade

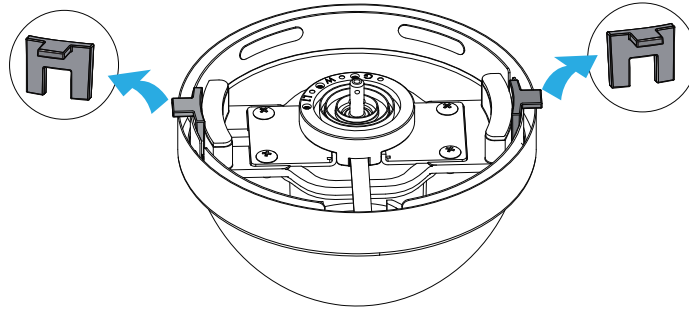
**OPTION 2:** Assemble the fan on floor/table and install fully assembled fan to ceiling. Refer to the ceiling fan instructions.

See step 6-12 for installing fan to ceiling.



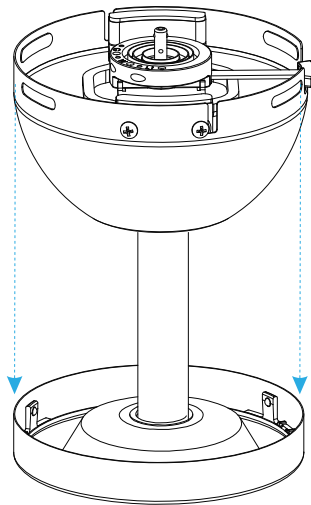
# Fan Installation

6



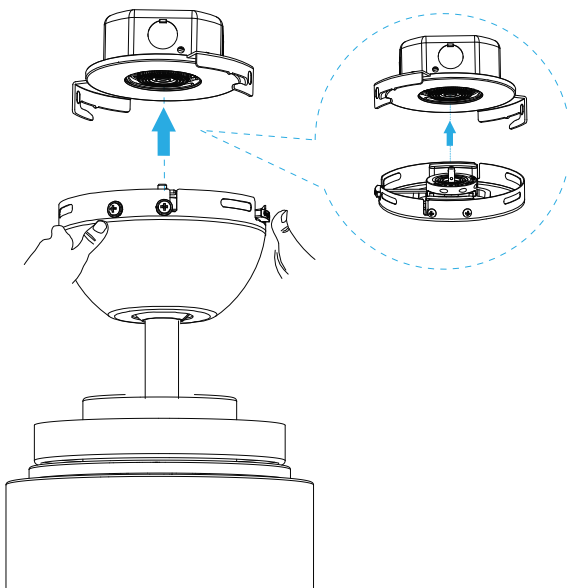
Remove and discard rubber inserts (loosen four mounting screws slightly if needed).

7



Slide down canopy trim ring from canopy.

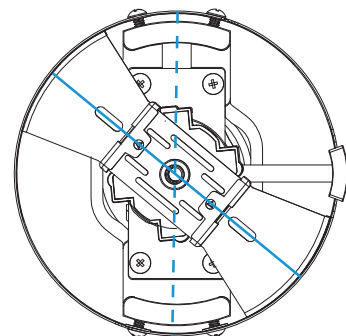
8A



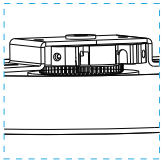
Lift fan, press in the push button.  
Line up SkyPlug into SkyOutlet mounted in ceiling.  
Insert SkyPlug into SkyOutlet  
(Keep pressing push button while inserting).

## ! IMPORTANT:

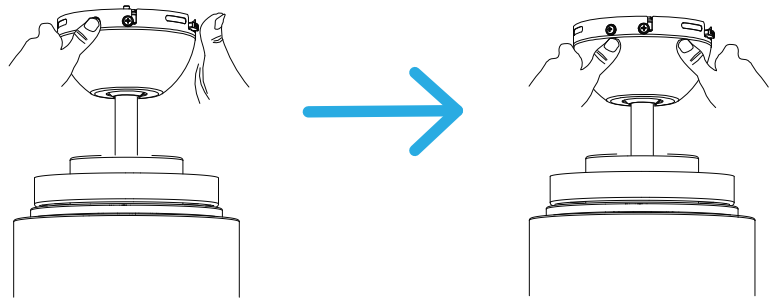
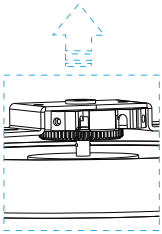
For proper mounting,  
the SkyPlug and SkyOutlet  
need to be lined up in a  
X formation.



8B

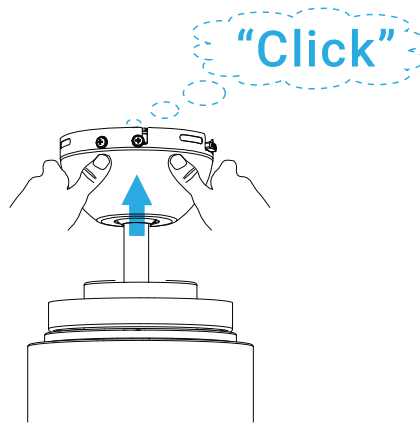


**! IMPORTANT:**  
SkyPlug must be fully engaged into SkyOutlet.



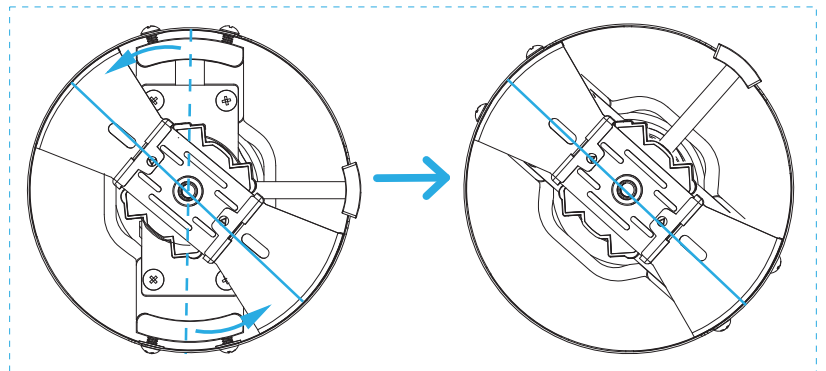
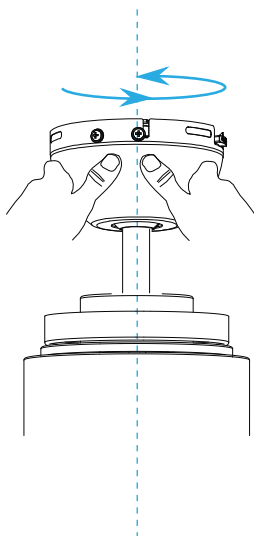
Once plug is fully inserted, let go of push button while supporting fan.

8C



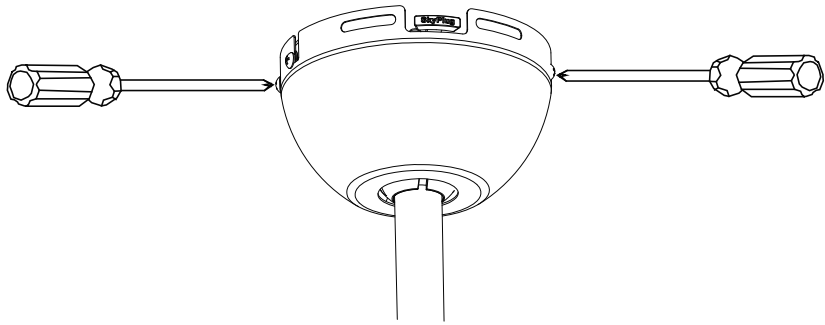
Push up on fan to lock SkyPlug into SkyOutlet (listen for locking "click").

8D



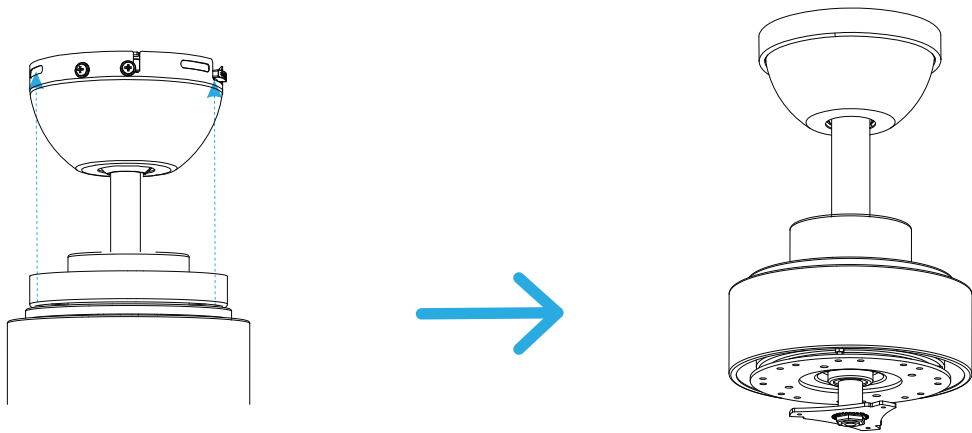
Turn fan to the right (counter clockwise) to engage into slots and activate the final locking mechanism.

9



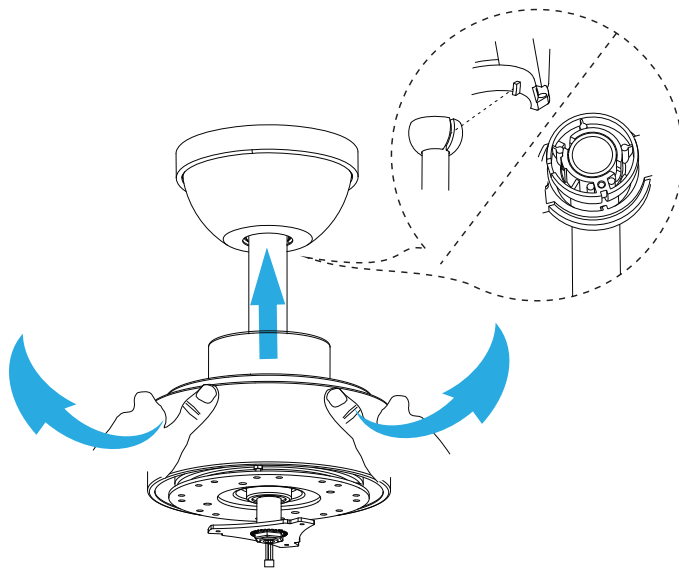
Once installed, tighten all 4 screws.

10



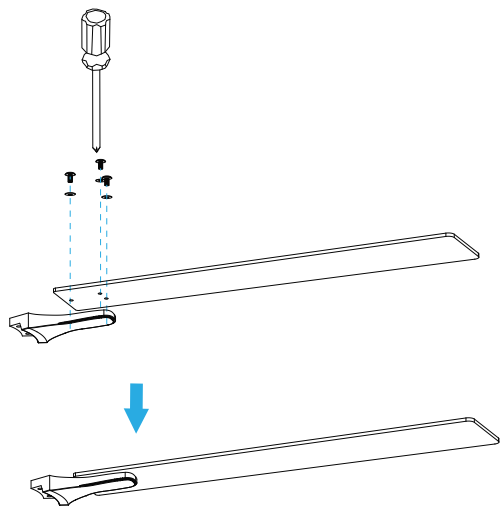
Reinstall trim ring

11

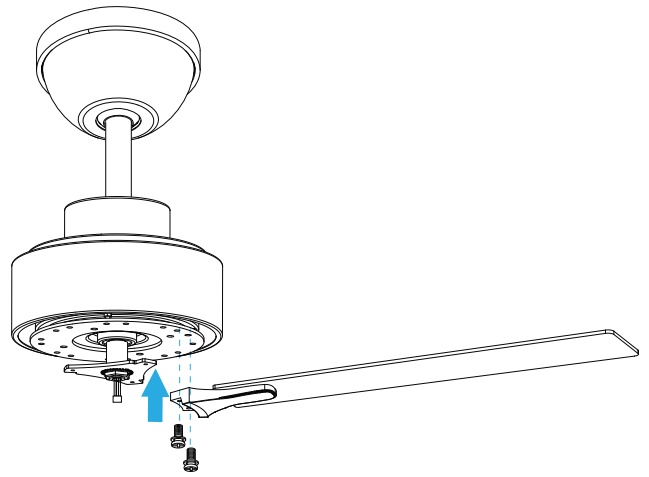


Lift up the fan body and gently adjust left and right so that hanger ball is properly seated in bracket.

12

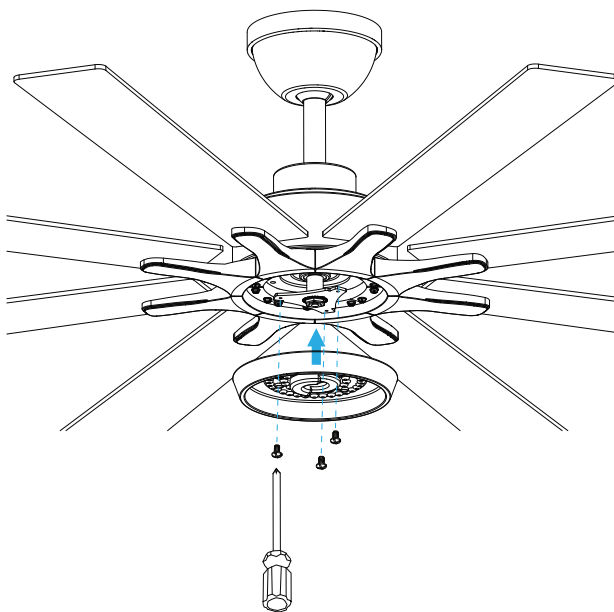


Install blade bracket to the blade.

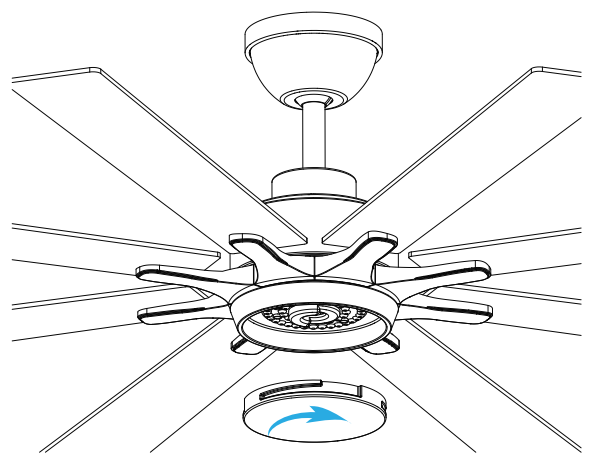


Install the blade assembly to the motor assembly.

13

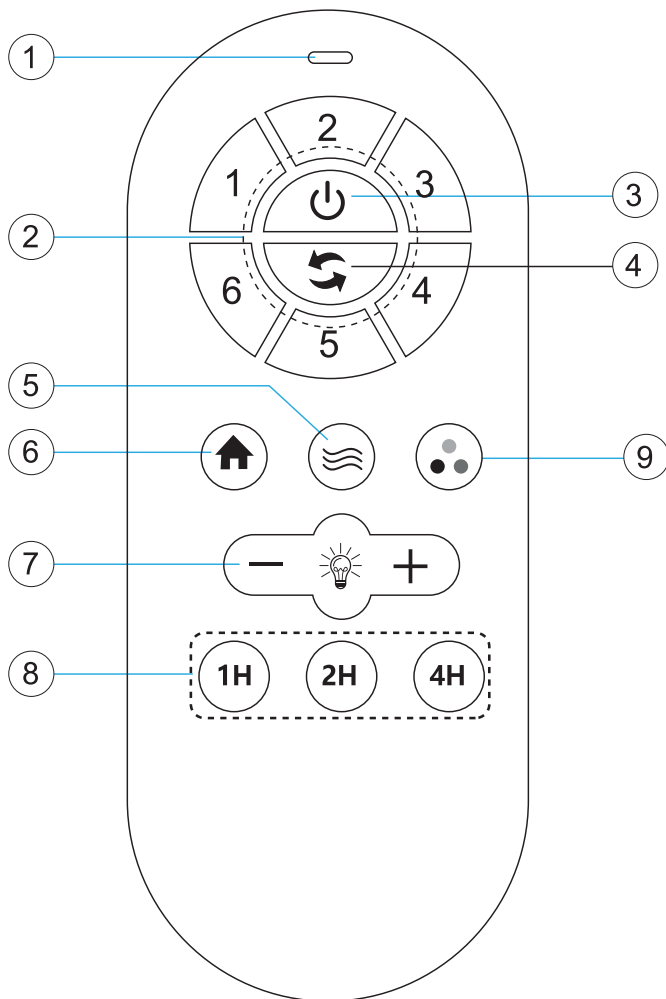


Install light kit and secure the shade.




INSTALLATION IS COMPLETED.

# Remote Control Start-Up Guide



- ① Indicator
- ② Speed Controller
- ③ Fan Power ON/OFF Switch
- ④ Reverse Switch
- ⑤ Natural Wind
- ⑥ Security
- ⑦ Light controller
- ⑧ Timer
- ⑨ CCT Switch

## Learning method of remote control:

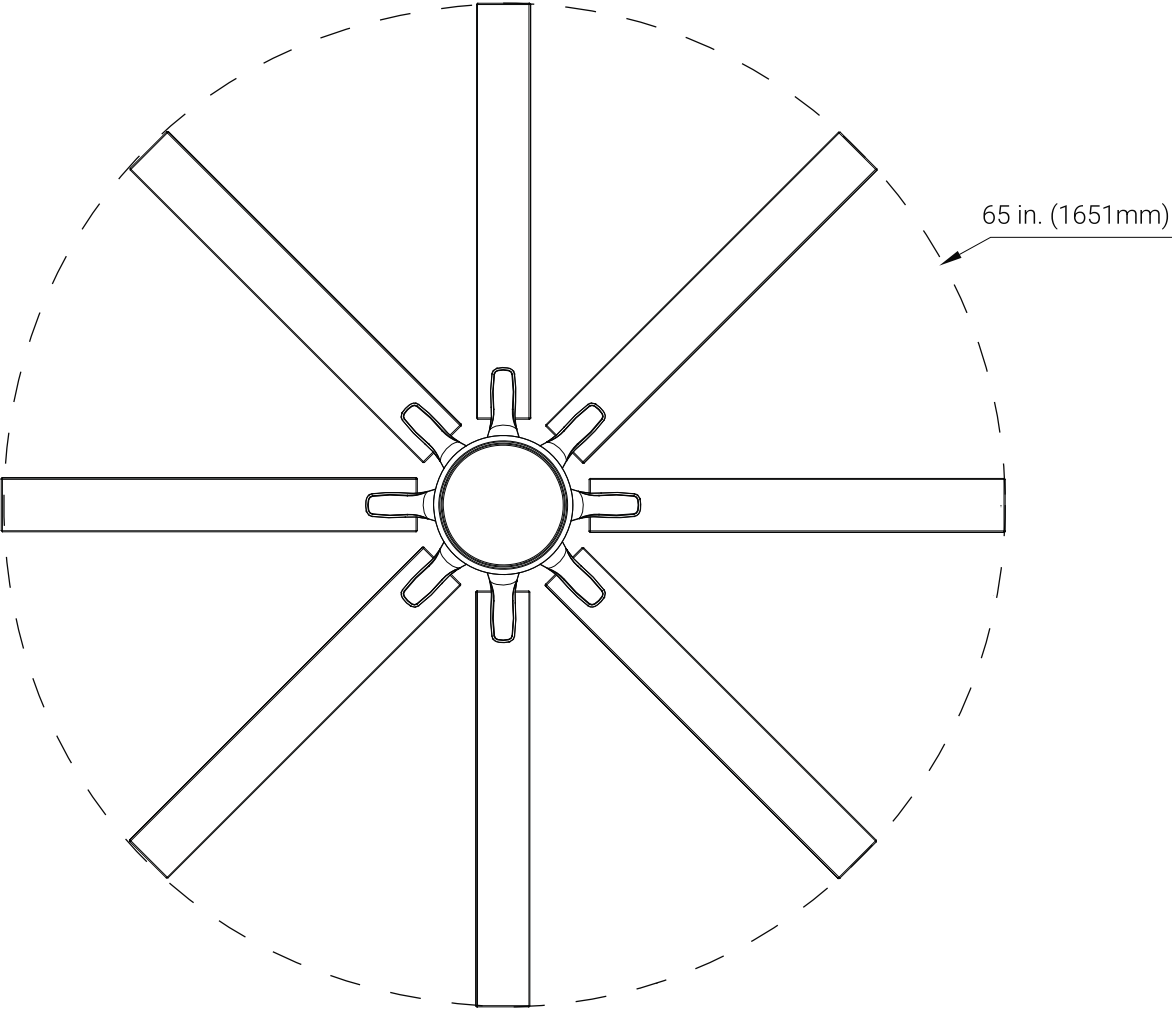
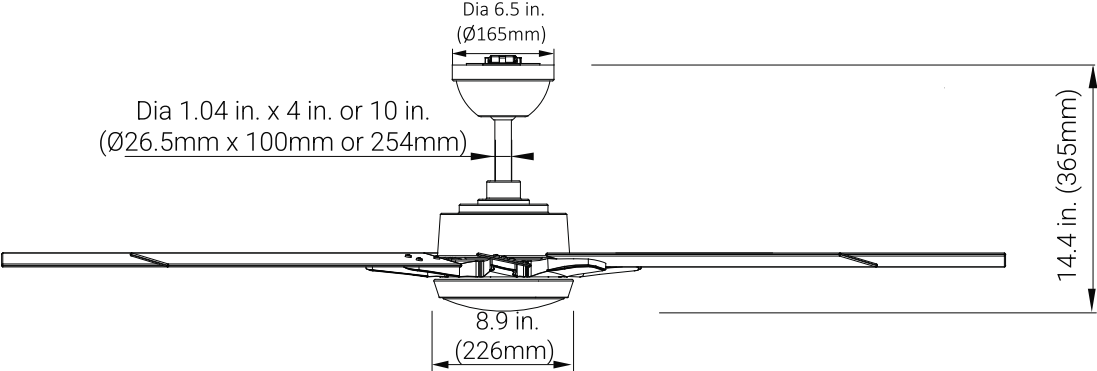
Power on the receiver, press the  key at the emitter at once. The learning is succeed, when hear doule beep ringing from the loud speaker.

- RF wireless digital transmission technology is adopted to realize the one-to-one control providing a rate of coincident code less than 1/50000. Same code number is attached to the back of the emitter and the receiver. It is required to return a pair of the same code number of emitter / receiver to the manufacturer for repair service in case of any damage.
- In a sufficient space, you can use the receiver at any angle, no worry about the direction.

## NOTE:

1. When the emitter is unable to remotely control the receiver, please check whether the switch batteries are in good contact, whether they are fixed properly and whether they run out of use.
2. When the emitter is unable to remotely control the receiver, please check whether there is other remote control products around the space and check whether the keys are pressed down, because same nature of remote control product may cause interference with each other resulting in poor receiving effect. Taking away such articles will normalize the remote control function. (the infrared remote controller is not included).
3. Please use this product under applicable voltage. Too low voltage will lead to failure of the remote controller to work (Please refer to the product label for the voltage range and related parameters).
4. Please take out the batteries if you will no use this product for a long time.

# Product Size



# Troubleshooting

## Table of Contents

1. Fan / Remote is not working
2. Fan is noisy
3. Fan Wobbles
4. Light is not working

Please refer to the instruction sheet for detailed directions and descriptions of installation steps and requirements

### 1. FAN / REMOTE IS NOT WORKING

Ensure the remote is within the 20 feet range of the receiver
To reset the remote control: 1) Turn off power to fan using the wall switch or circuit breaker. 2) Remove batteries from remote. 3) Wait 10 seconds. 4) Replace batteries and turn power on
Check batteries to insure they are good and oriented correctly
Check to make sure the frequency switches (DIP Switches) from the remote to the receiver are set to the same frequency
Check the main and branch circuit fuses or breakers
If using a Variable Speed Wall Switch, ensure it is specifically designed for use with a ceiling fan.
Check the line wire connections to the fan and the switch wire connections in the switch housing per the instructions
If fan still does not work, please contact Customer Service <a href="mailto:Support@parrotuncle.com">Support@parrotuncle.com</a>

### 2. THE FAN IS NOISY

Make sure all motor housing screws are tightened
Make sure the screws that attach fan blade to motor are tight
Make sure the wire nut connectors are not rattling against each other or the interior wall of the switch housing
Allow 24-hour break in period. Most noises associated with the new fan may disappear during this time
If using a ceiling light kit, make sure the glassware is secured tightly
Make sure there is a short distance/gap from the ceiling to the top of the canopy. The canopy should not touch the ceiling!
Make sure your ceiling box is secure and that the rubber isolator pads are used between the mounting bracket and outlet box

### 3. THE FAN WOBBLES

Verify all blades and blade bracket screws are secure (most fan wobble problems are caused by loose parts). Once fan is properly installed, run the ceiling fan for 10 minutes to let the fan self-adjust.
If wobble occurs after running the fan for 10 minutes, verify blade level using the following process: a) select a point on the ceiling above the tip of one of the blades. Then select the fan blade and measure from the center of the selected blade to point on the ceiling. Rotate the fan until the next blade is positioned and repeat the measurement using the same point from the ceiling for every blade. Measurements should be within 1/8 inch. b) If all deviation are less than 1/8 inch and the fan continues to wobble, please contact Customer Service <a href="mailto:Support@parrotuncle.com">Support@parrotuncle.com</a> to order a complimentary Blade Balancing Kit
- If all deviations are less than 1/8 inch and the fan continues to wobble, please contact Customer Service <a href="mailto:Support@parrotuncle.com">Support@parrotuncle.com</a> to order a complimentary Blade Balancing Kit

### 4. LIGHT IS NOT WORKING

Check Bulb to make sure it is installed correctly
Remove non-working bulb and replace with a bulb that is known to be a good working bulb
To reset the remote control: 1) Turn off power to fan using the wall switch or circuit breaker. 2) Remove batteries from remote. 3) Wait 10 seconds. 4) Replace batteries and turn power on

Still have Questions, Call 1-855-759-7584.

## Warranty

### LIMITED PRODUCT WARRANTY

For warranty info, visit [www.skyplug.com/warranty](http://www.skyplug.com/warranty).

# Wobble

## WOBBLE

The fan blades have been adjusted in the factory to minimize any wobble

**NOTE: CEILING FANS TEND TO MOVE DURING OPERATION DUE TO THE FACT THAT THEY ARE MOUNTED ON A RUBBER CROMMET. IF THE FAN WAS MOUNTED RIGIDLY TO THE CEILING, IT WOULD CAUSE EXCESS VIBRATION. MOVEMENT OF A FEW CENTIMENTERS IS QUITE ACCEPTABLE AND DOES NOT SUGGEST ANY PROBLEM**

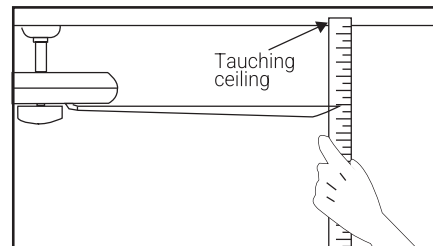
**TO REDUCE THE FAN WOBBLE, PLEASE CHECK THAT ALL SCREWS WHICH SECURED THE MOUNTING BRACKET AND DOWNROD ARE SECURE.**

## BALANCING A WOBBLING CEILING FAN

For your convenience, a Balancing Kit is included, please follow this procedure when balancing the fan:

1. Check that all blade and blade arm screws are secure.

2. Most fan wobbling problems are caused when blade levels are unequal. Check this level by selecting a point on the ceiling above the tip of one of the blades. Measure this distance. Rotate the fan until the next blade is positioned for measurement. Repeat for each blade. The distance deviation should be equal within 1/8"(0.32cm).



3. If the blade wobble is still noticeable, use the enclosed Blade Balancing Kit.

4. If the blade wobble is still noticeable, interchanging two adjacent (side by side) blades can redistribute the weight and possibly result in smoother operation.

**! WARNING: TO REDUCE THE RISK OF PERSONAL INJURY, DO NOT BEND THE BLADE ARM WHILE INSTALLING, BALANCING THE BLADES, OR CLEANING THE FAN. DO NOT INSERT FOREIGN OBJECTS BETWEEN ROTATING FAN BLADES.**

## NOISE

When it is quiet (especially at night) you may hear occasional small noises. This is normal. Please allow a 24-hour "breaking-in" period, most noises associated with a new fan disappear during the time.

## CARE AND CLEANING

1. Periodic cleaning of your ceiling fan is the only maintenance required. Use a soft brush or lint free cloth to avoid scratching the paint finish. Please make sure to turn off electricity power before you clean your fan

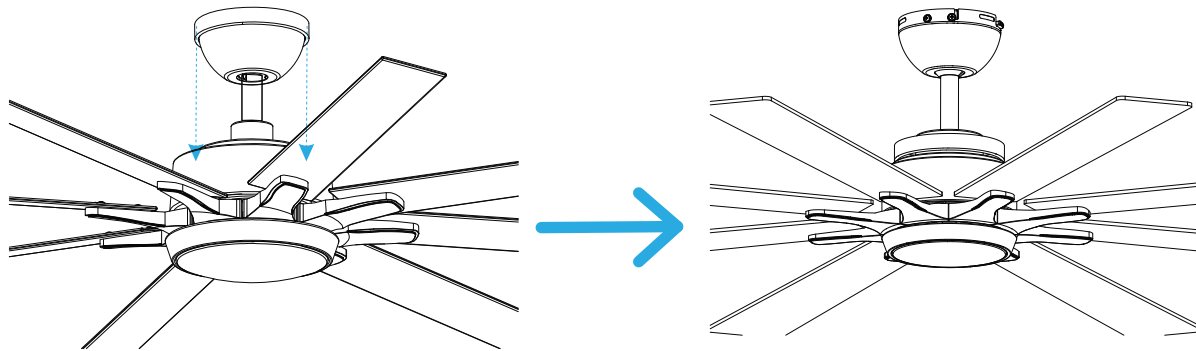
2. Do not use water when cleaning your ceiling fan. It could damage the motor or the blades and create the possibility of an electrical shock.

3. Motor has permanently lubricated ball bearing. No need to oil

## NOTE:

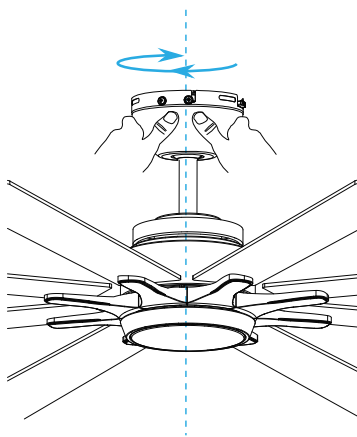
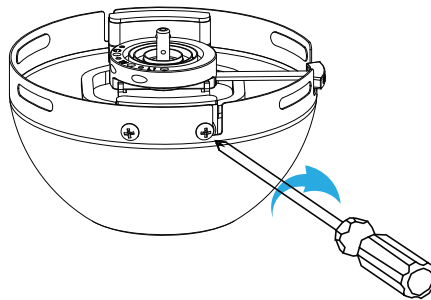
**MAKE SURE THE POWER IS OFF AT THE ELECTRICAL PANEL BOX BEFORE YOU ATTEMPT ANY CLEANING OR REPAIRS.**

# Removing Fan From Ceiling



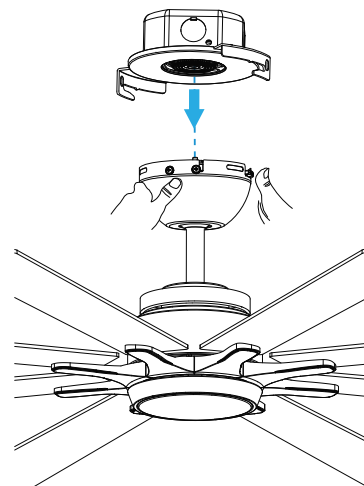
Slide down trim ring from canopy

Loosen but not remove 4 screws



Hold fan firmly, turn to the left (clockwise).

**!** CAUTION/ATTENTION :  
Do not let fan fall.



While holding fan, press push button to release fan.

