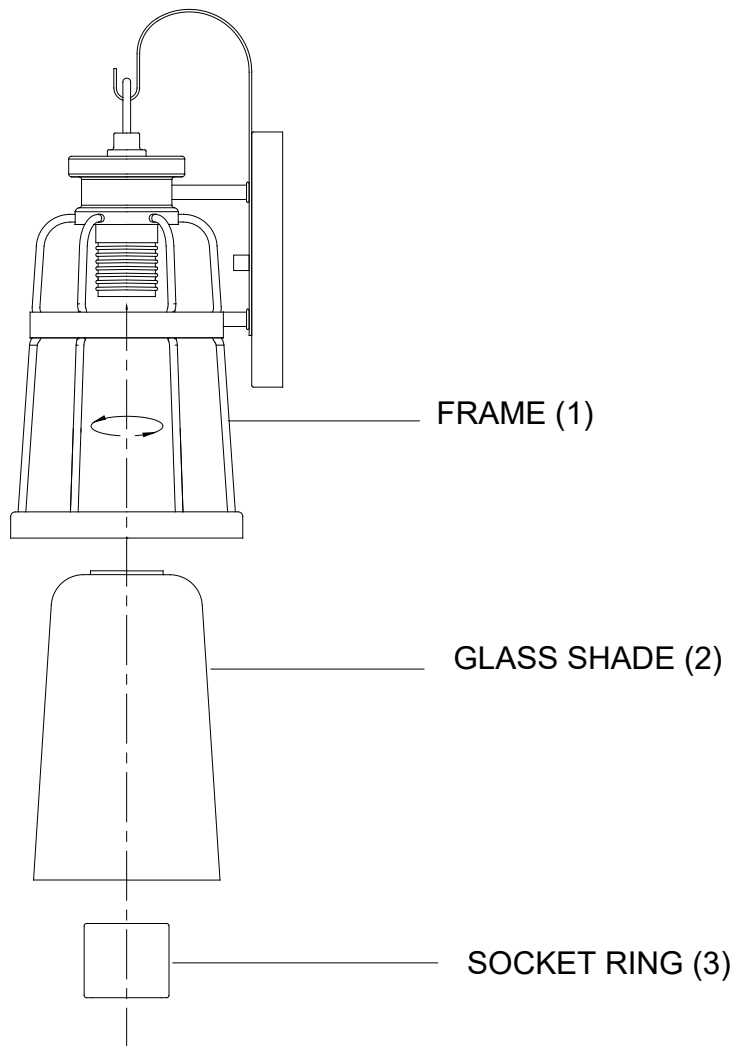


ITEM L5-2940

L5-2941

L5-2942



ASSEMBLY INSTRUCTIONS

1. Carefully unpack and identify all parts referring to illustration for parts identification.
2. Turn the power to the installation point OFF.
3. Place the glass shade (2) into the frame (1) and secure with socket ring (3).
4. Refer to the additional installation instructions included with the product for wiring and installation.
5. Install proper bulbs (not provided) into the sockets referring to the markings and/or labels on the fixture for maximum wattage.
6. Restore power to the installation point and retain this sheet for future reference.