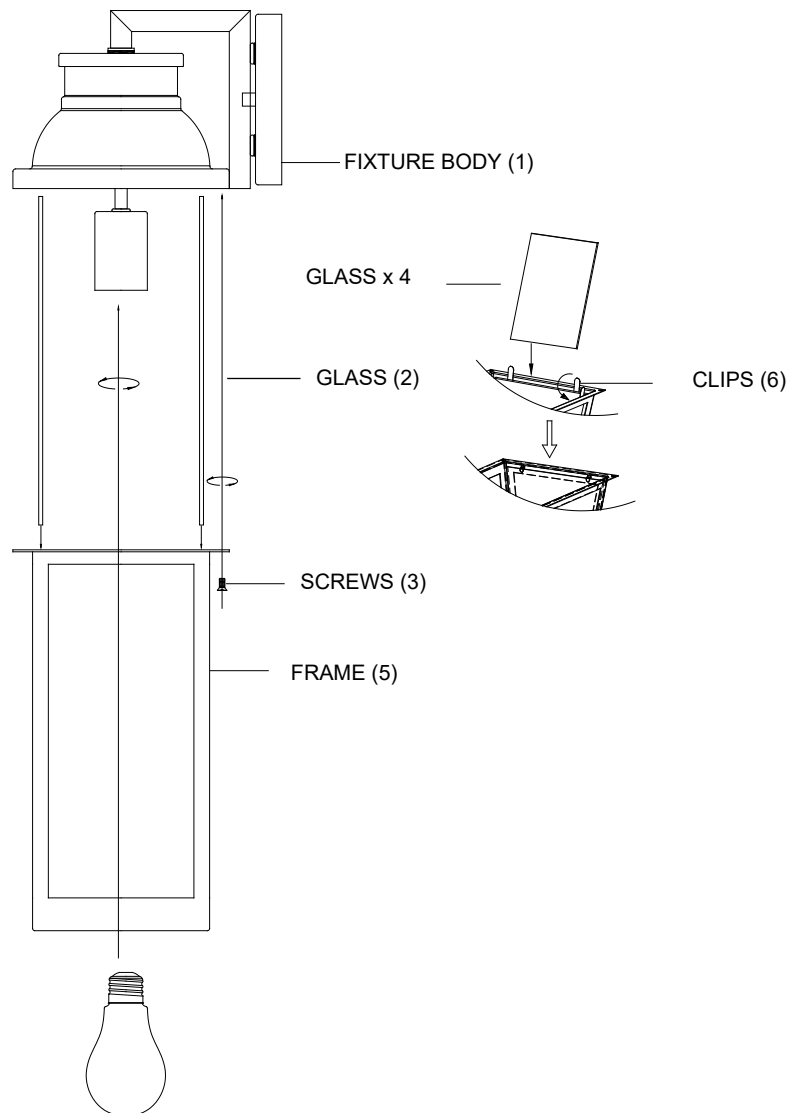


ITEM NO : L5-2934
L5-2935
L5-2936



ASSEMBLY INSTRUCTIONS

1. Carefully unpack and identify all parts referring to illustration for parts identification.
2. Turn the power to the installation point OFF.
3. Install the glass panels (2) onto the frame (5) and secure with clips (6).
4. Carefully place the frame (5) onto the fixture body (1) and secure with screws (3).
5. Refer to the additional installation instructions included with the product for wiring and installation.
6. Install proper bulbs (not included) into each socket referring to the markings and/or labels on the fixture for maximum wattage.
7. Restore power to the installation point and retain this sheet for future reference.