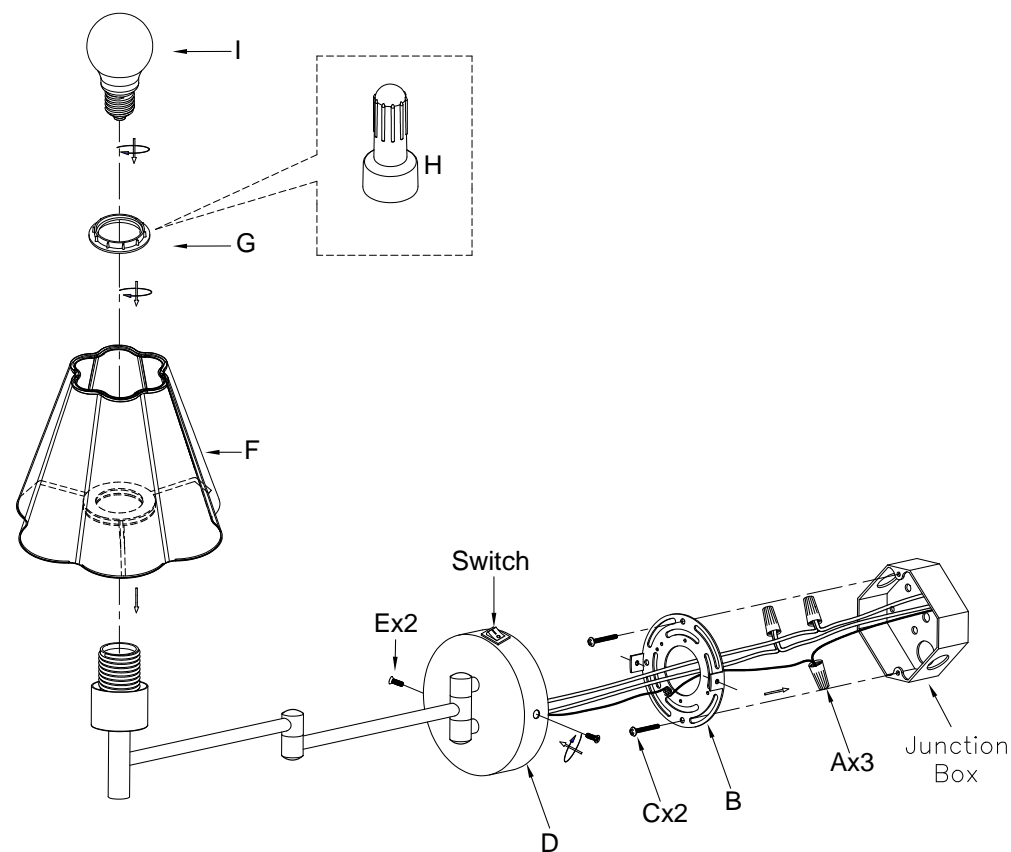


ASSEMBLY INSTRUCTIONS

WIRE METHOD A

- Carefully unpack and identify all parts referring to illustration for parts identification.
- Turn the power to the installation point OFF.
- Determine the mounting position on the wall and drill holes at the marked positions.
Insert the anchors (A) and the screws (B) into the holes.
- Attach the fixture (C) to the wall and ensure that the lamp body is securely mounted.
- Place the shade (D) onto the socket, then use the socket wrench (F) to secure it with the socket ring (E).
- Install the bulb (G) (not included).
- Restore power to the installation point and retain this sheet for future reference.



WIRE METHOD B

- Carefully unpack and identify all parts referring to illustration for parts identification.
- Turn the power to the installation point OFF.
- Attach the mounting plate (B) to the junction box and secure it by using the two screws (C).
- Connect the white wire from the fixture to the white wire of the junction box.
Connect the black wire from the fixture to the black wire of the junction box.
Connect the ground wire from the fixture to the ground wire of the junction box by using the wire connectors (A) provided.
- Install the fixture (D) onto the mounting plate (B) using side screws (E).
- Place the shade (F) onto the socket, then use the socket wrench (H) to secure it with the socket ring (G).
- Install a proper bulb (I) (not included) into the socket referring to the markings and/or labels on the fixture for maximum wattage.
- Restore power to the installation point and retain this sheet for future reference.