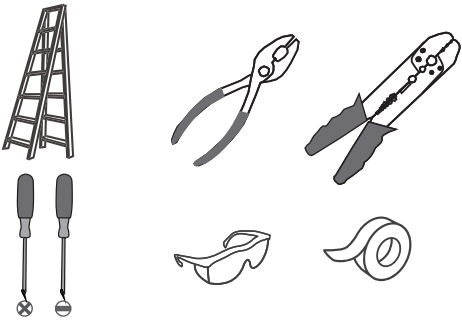
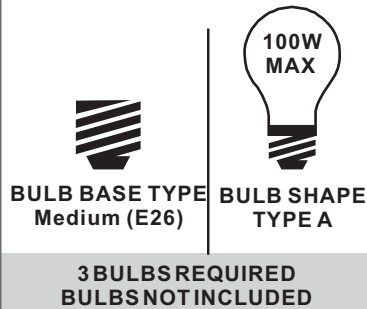


Tools Required



Light Source



Warnings and Cautions

Turn off the electricity at the circuit breaker before installation. Consult a licensed electrician if in doubt about installation.

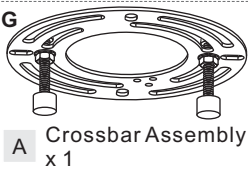
Turn off power to the fixture and allow the bulbs to cool before replacing.

Package Contents

Preparation: Identify and inspect all parts before beginning the installation.

Missing or damaged parts? Contact your original place of purchase.

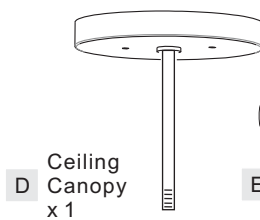
PARTS BAG



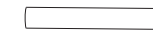
B Outlet Box Screw x 2



C Wire Connector x 3



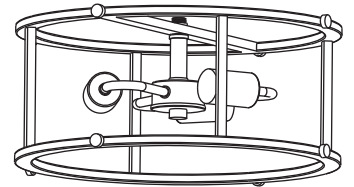
D Ceiling Canopy x 1



E Rod x 1



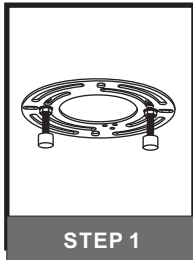
F Glass x 4



G Fixture Body x 1

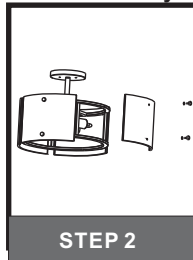
Table of Contents

Crossbar Assembly



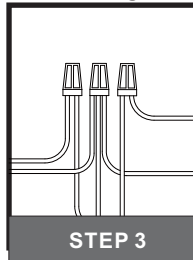
STEP 1

Fixture Body



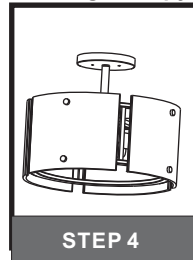
STEP 2

Wiring



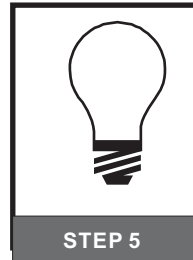
STEP 3

Ceiling Canopy



STEP 4

Bulb

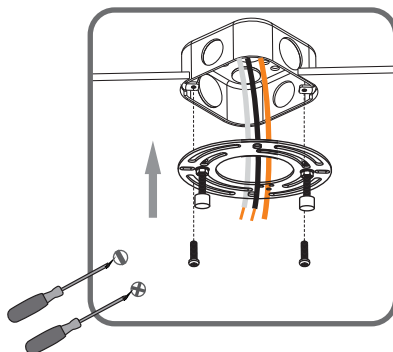


STEP 5

STEP 1

1

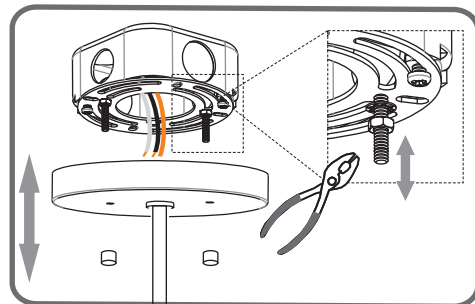
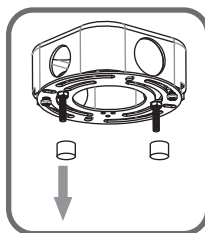
Step 1
Install crossbar assembly



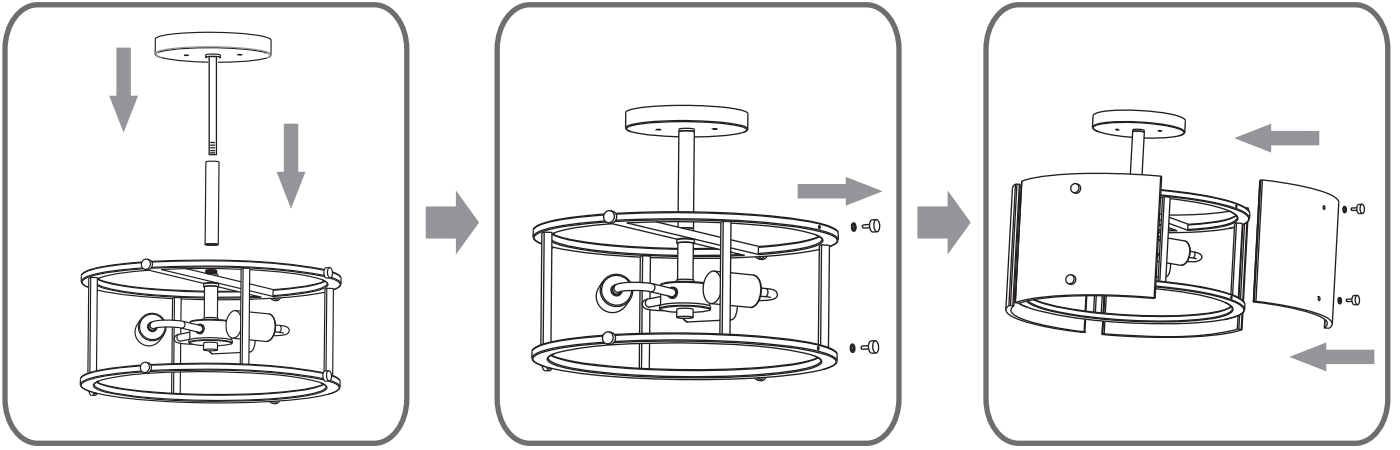
2

3

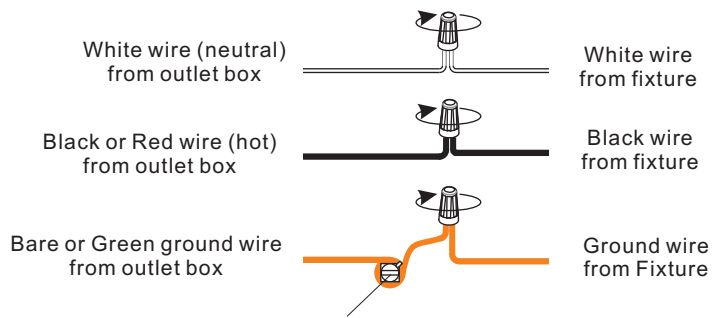
Step 2 - 3
Test fitting ceiling canopy to mounting screws



STEP 2

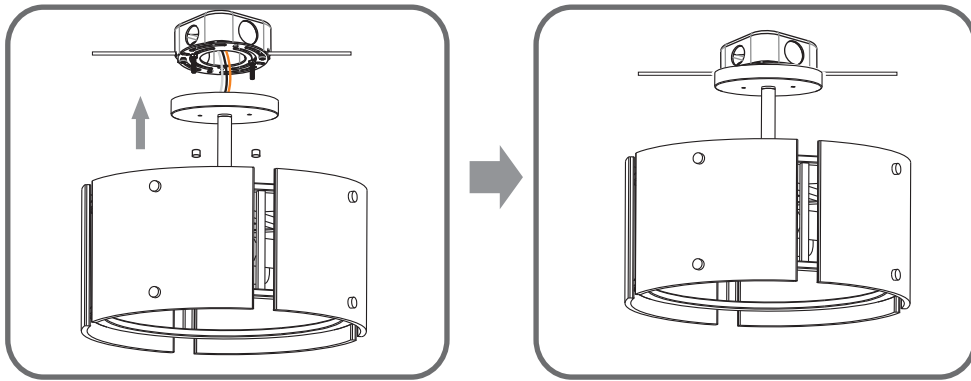


STEP 3



*Green Ground Screw on crossbar optional

STEP 4



STEP 5

