

Emblem

Ceiling or wall Mounted • Wet Location Listed PROGRESS LED



Description:

Revel in the brilliant combination of easy installation and a sleek, modern lighting aesthetic offered by our Emblem Surface Mount LED Collection. A symbol of clean, classic designs with smooth, eye-appealing curvature, Emblem provides you with familiar lighting shapes and functional features engineered for both outstanding performance and unparalleled longevity. An excellent choice for general ambient lighting, each polished design features a smooth, slightly tapered trim ring surrounding a single, integrated LED light source. Each trim ring is available in two different sizes and finishes to help meet your unique design needs. Enjoy the unmatched level of glare control offered by the fixture's diffused polycarbonate lens that also hides any unwanted LED pixilation. Each light fixture is home to an integrated AC LED light engine that seamlessly installs to a variety of ceiling pan junction boxes to give you added flexibility when it comes to creating your design vision. The surface mount will also satiate the cravings of any environmentally-aware and cost-savvy buyer with the fixture's long-lasting, 50,000-hour LED life span and 80% energy savings.

Specifications:

- Diffused polycarbonate lens
- Integrated AC LED technology 3000K, 90 CRI, 1200 lumens (delivered)
- Die-cast aluminum construction with a powder coat paint finish
- Diffused polycarbonate lens controls direct glare from the LEDs
- Simple snap in installation for J-Box with 1/2" minimum depth
- Lumen output and distribution comparable to a 75W incandescent lamp
- Dimmable to 10% brightness with many Electronic Low Voltage (ELV) & Forward Phase (TRIAC) dimmers
- CSA Listed for Wet Location applications
- Meets California Title 24 - JA8 - 2022
- Maximum 30 luminaires on a circuit (without dimmer).
- 50,000 hour rated lifetime
- Dimmable to 10% brightness (See Dimming Notes)
- Mounting strap for outlet box included
- 6 in of wire supplied

Performance:

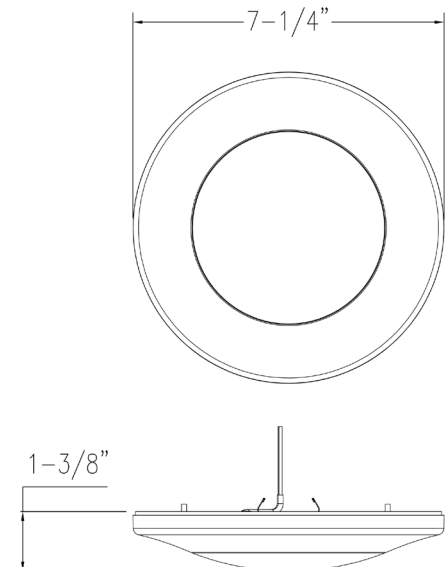
Number of Modules	1
Input Power	13.6 W
Input Voltage	120 V
Input Frequency	60 Hz
Lumens/LPW (Delivered)	1197/88.2 (LM-79)
CCT	3000 K
CRI	90 CRI
Life (hours)	50000 (L70/TM-21)
EMI/RFI	FCC Title 47, Part 15, Class B
Min. Start Temp	-30 °C
Max. Operating Temp	40 °C
Warranty	5 year warranty
Labels	cCSAus Wet Location Listed ENERGY STAR® qualified
	Meets California Title 24 JA8-2022

P810014-028-30



Dimensions:

Diameter: 7-1/4 in
Height: 1-3/8 in



Dimming Notes:

P810014-028-30 is designed to be compatible with many Triac/Forward Phase controls.

The following is a partial list of known compatible dimmer controls.

Dimming Controls:

Lutron DVCL-253P

Leviton 6672

Leviton 6674

Eaton SULO6P

Legrand 700W WSCL453PTC

Dimming capabilities will vary depending on the dimmer control, load, and circuit installation.

Always refer to dimmer manufacturer instructions or a controls specialist for specific requirements.

Dimmer control brand names where identified above are trade names or registered trademarks of each respective company.

P810014-028-30