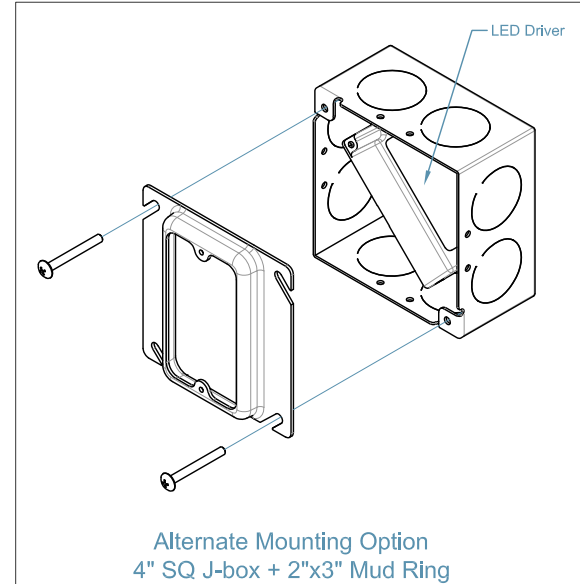
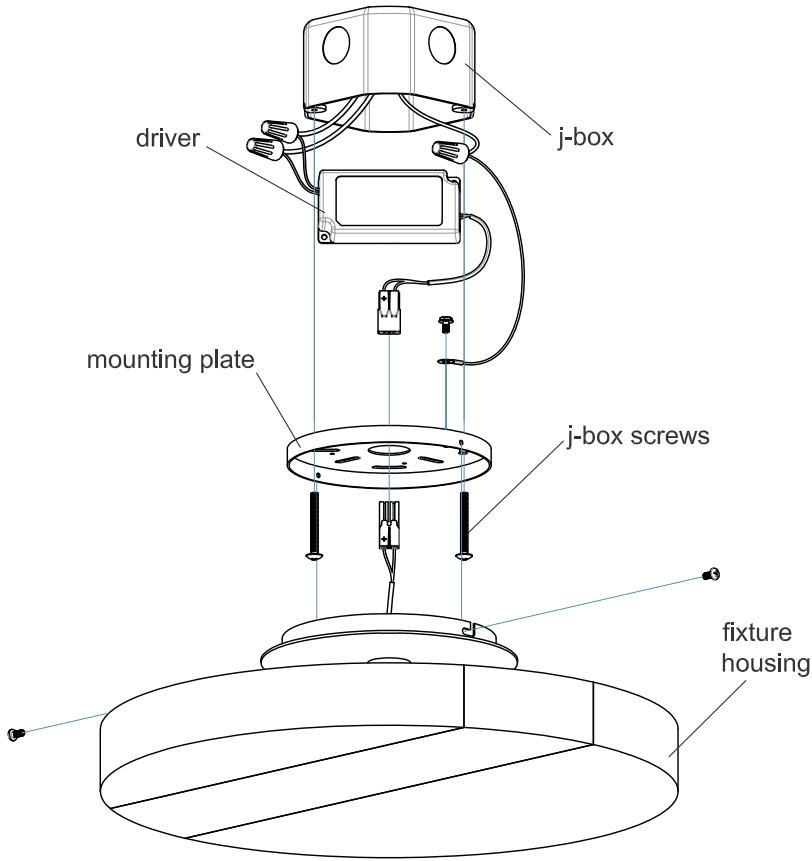


# ASSEMBLY AND INSTALLATION INSTRUCTIONS

**WARNING: TO AVOID RISK OF ELECTRICAL SHOCK, BE SURE TO SHUT OFF POWER PRIOR TO INSTALLING OR SERVICING THIS FIXTURE.**

**NOTE: Before installing, consult local electrical codes for wiring and grounding requirements.**



## Installation Steps

1. Carefully unpack your new fixture and lay out all the parts on clean surface. Take care not to lose any small parts necessary for installation.
2. Place driver inside j-box. Be sure to leave the orange connector accessible.
3. Make wire connections: Attach ground wire to building ground wire using a wire nut or attach them to the mounting plate with a green ground screw. Refer to driver label for wire identification.
  - **FOR DIMMING:** If using a dimmer (not included), follow wiring instructions enclosed with dimmer. Double check wiring. Tuck the wire connections neatly into the junction box.
  - **FOR NON-DIMMING:** If not using a dimming switch, with wire nuts, cap off purple and gray wires individually. Connect neutral wire (white) with neutral wire, hot wire (black) with hot wire. Double check wiring. Tuck the wire connections neatly into the junction box.
4. Secure mounting plate to the j-box using the j-box screws.
5. Pick up fixture body, and place the fixture over the mounting plate. Connect the orange connector from the fixture body to the orange connector from the driver. Secure the fixture to the wall with the provided screws.
6. Turn power back on at fuse or circuit box.

**AURORA** ceiling mount  
**3-662-XX**

OXYGEN LIGHTING ©

**oxygen**

OXYGEN LIGHTING  
201 RAILHEAD RD, FORT WORTH, TX 76106  
TEL. (877) 607-0202 FAX (877) 607-0203  
WWW.OXYGENLIGHTING.COM

**ASSEMBLY INSTRUCTIONS**