

ASSEMBLY AND INSTALLATION INSTRUCTIONS

WARNING: TO AVOID RISK OF ELECTRICAL SHOCK, BE SURE TO SHUT OFF POWER PRIOR TO INSTALLING OR SERVICING THIS FIXTURE.

NOTE: Before installing, consult local electrical codes for wiring and grounding requirements.

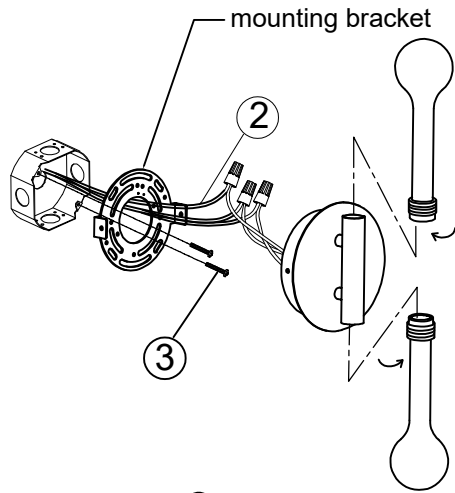


Fig.1

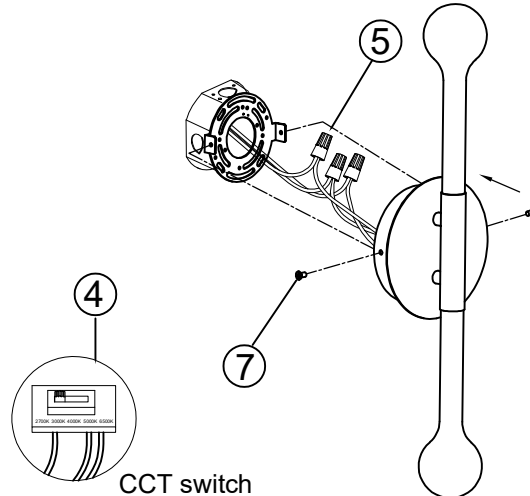


Fig.2

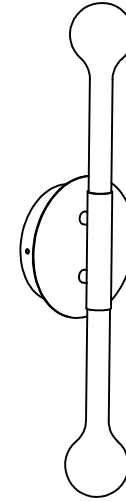


Fig.3

OXYGEN LIGHTING ©

Installation Steps

1. Carefully unpack your new fixture and lay out all the parts on clean surface. Take care not to lose any small parts necessary for installation.
2. Insert the KD glass into the lamp arm and tighten it clockwise (Fig.1).
3. Feed the wires from wall through mounting bracket (Fig.1).
4. Secure mounting bracket to outlet box with screws.
5. Select desired CCT: 2700K, 3000K, 4000K, 5000K, 6500K on the CCT switch located on back of fixture.
6. Make wire connections: Attach ground wire to building ground wire using a wire nut or attach them to the mounting plate with a green ground screw. Attach black wire from building to black wire from fixture using wire nut. Attach white wire from building to white wire from fixture using wire nut.
FOR DIMMING: If using a dimmer, follow wiring instructions enclosed with dimmer. Double check wiring.
7. Tuck the wire connections neatly into the junction box.
8. Place the fixture over the mounting bracket. Install the four screws on the sides of the fixture to secure it to the wall (Fig.2).
9. Turn power back on at fuse or circuit box.

Manhattan sconce
120-277v 3-503-56

oxygen

OXYGEN LIGHTING
201 RAILHEAD RD, FORT WORTH, TX 76106
TEL. (877) 607-0202 FAX. (877) 607-0203
WWW.OXYGENLIGHTING.COM

ASSEMBLY INSTRUCTIONS