

# NIO-4RTLA

## 4" Iolite Round Trimless Adjustable Reflector

Source: 14W to 28W LED  
800lm to 2500lm

Type

Project

Catalog No.

Notes

### PRODUCT DESCRIPTION

4" Trimless Iolite reflectors have no exposed trim flange and do not extend beyond the ceiling plane. Iolite Trimless requires a Trimless Mud Ring and New Construction housing. Regressed cone reflector optimizes visual cut-off and adjust up to 15°.

### FEATURES

- Trimless knife edge appearance
- 800lm, 1000lm, 1500lm, 2000lm or 2500lm LED packages
- 2700K, 3000K, 3500K, 4000K, 5000K @ 90+ CRI
- Cree® LED COB or Comfort Dim Technology
- Flood optic, narrow flood and spot optics (included)
- 5-Year limited warranty

### SPECIFICATION

**Construction:** Reflectors are constructed of heat dissipating, die-cast aluminum. The aluminum die-cast LED heat sink is threaded to fit the reflector and transfer heat.

**Mounting:** Reflector includes friction blades to mount securely to trimless mud ring. A trimless mud ring is required per reflector.

### OPTICS

**800-1000lm:** Each reflector includes field changeable optics (flood, narrow flood and spot). Premium 15° and 25° TIR optics are also available.

**1500-2500lm:** Each reflector includes field changeable TIR optics (flood, narrow flood and spot).

### ELECTRICAL

**Lumens / Wattage:** 800lm / 14W, 1000lm / 14W, 1500lm / 20W, 2000lm / 24W, 2500lm / 28W

**Color Temperature:** 2700K, 3000K, 3500K, 4000K, 5000K

**CRI:** 90+CRI

**Operating Temp.:** 0°C to 40°C ambient temperature

**Lifetime:** 50,000 hours @ L70

**Comfort Dim:** Comfort Dim color tunes the temperature from a bright 3100K, to a romantic and comfortable 2000K on a gradual, even curve. Available in 800lm only.

**Dimming:** Specified by housing

### COMPATIBLE HOUSINGS

Reflectors are compatible with respective Iolite housings manufactured by Nora Lighting.

CATALOG NO.	DESCRIPTION	LUMENS / WATTAGE
NHIOICD-48	ICAT New Construction	800-1000lm / 14W
NHIOICDCP-48	Chicago Plenum	800-1000lm / 14W
NHIOICD-415	ICAT New Construction	1500lm / 20W
NHIOICDCP-415	Chicago Plenum	1500lm / 20W
NHIOICD-420	ICAT New Construction	2000lm / 24W
NHIOICDCP-420	Chicago Plenum	2000lm / 24W
NHIOICD-425	ICAT New Construction	2500lm / 28W
NHIOICDCP-425	Chicago Plenum	2500lm / 28W

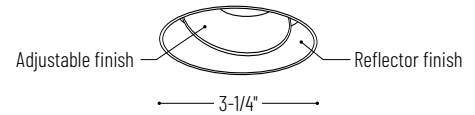
**Accessories:** Reflectors will accommodate (1) hex louver and (1) translucent deco collar or opaque snoot, no accessory holder is required, see page 3. A trimless mud ring is required per reflector.

### LABELS AND LISTINGS

- cULus Listed for Damp Locations
- ENERGY STAR certified
- 5-Year Limited Warranty
- RoHS Compliant
- Certified to the high efficacy requirements of California Title 24 JA8-2019



### PRODUCT IMAGES AND DIMENSIONS



### NIO-4RTLA

Round Trimless Adjustable

Adjustability: 35° (800-1000lm) / 24° (1500-2500lm)



**BB**  
Black Adjustable  
Black Reflector



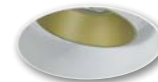
**BW**  
Black Adjustable  
White Reflector



**BZ**  
Bronze Adjustable  
Bronze Reflector



**CH**  
Champagne Haze Adjustable  
Champagne Haze Reflector



**CHMPW**  
Champagne Haze Adjustable  
Matte Powder White Reflector



**HW**  
Haze Adjustable  
White Reflector



**HZ**  
Haze Adjustable  
Haze Reflector



**HZMPW**  
Haze Adjustable  
Matte Powder White Reflector



**MPW**  
Matte Powder White Adjustable  
Matte Powder White Reflector



**WW**  
White Adjustable  
White Reflector

### 4" Iolite Round Trimless Adjustable Reflector - New Construction Housing & Trimless Mud Ring Required

Reflector Type	Color Temp.	Finish	Lumens / Wattage
<b>NIO-4RTLA</b> = Round Trimless Adjustable	<b>27X</b> = 2700K	<b>BB</b> = Black	(blank) = 800lm / 14W
	<b>30X</b> = 3000K	<b>BW</b> = Black / White	<b>/10</b> = 1000lm / 14W
	<b>35X</b> = 3500K	<b>BZ</b> = Bronze	<b>/HL</b> = 1500-2500lm
	<b>40X</b> = 4000K	<b>CH</b> = Champagne Haze	(varies by housing)
	<b>50X</b> = 5000K	<b>CHMPW</b> = Champagne Haze / Matte Powder White	
	<b>CDX</b> = Comfort Dim†	<b>HW</b> = Haze / White	
		<b>HZ</b> = Haze	
	<b>HZMPW</b> = Haze / Matte Powder White		
	<b>MPW</b> = Matte Powder White		
	<b>WW</b> = White		

† Comfort Dim technology available in 800lm & uses non-Cree COB modules. 1" & 2" Iolite uses a different dimming curve than 4" Comfort Dim

### Compatible Housings

Housing Type
<b>NHIOICD-48</b> = ICAT New Construction / 800-1000lm / 14W
<b>NHIOICDCP-48</b> = Chicago Plenum / 800-1000lm / 14W
<b>NHIOICD-415</b> = ICAT New Construction / 1500lm / 20W
<b>NHIOICDCP-415</b> = Chicago Plenum / 1500lm / 20W
<b>NHIOICD-420</b> = ICAT New Construction / 2000lm / 24W
<b>NHIOICDCP-420</b> = Chicago Plenum / 2000lm / 24W
<b>NHIOICD-425</b> = ICAT New Construction / 2500lm / 28W
<b>NHIOICDCP-425</b> = Chicago Plenum / 2500lm / 28W

### 4" Iolite Trimless Mud Ring

Description
<b>NIO-TLMR-4R</b> = 4" Round Trimless Mud Ring

Example: **NIO-4RTLA27XWW** / **NIO-TLMR-4R** = 4" Iolite Round Trimless Adjustable Reflector, 2700K, White finish, 800lm / 4" Round Trimless Mud Ring

# 4" Iolite Accessories

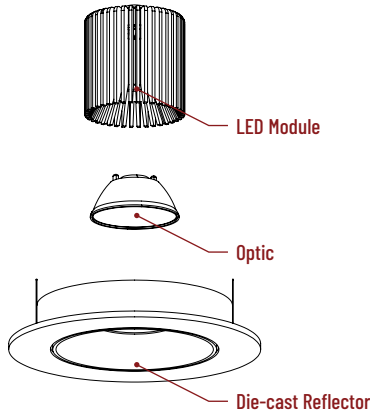
## 4" Iolite Round Trimless Adjustable Reflector

Type	
Project	
Catalog No.	
Notes	

### FIELD CHANGEABLE OPTICS

Iolite reflectors include spot, narrow flood and flood optics. Optics can be changed in the field by removing LED module from die-cast reflector. Replacement optics include an optional frosted lens.

**Note:** Frosted filter-optics and Premium TIR optics are not compatible with /HL LED modules.



Frosted Filter-Optic

NIO-REFL15FR	15° Optic
NIO-REFL25FR	25° Optic
NIO-REFL38FR	38° Optic
NIO-REFL60FR	60° Optic

Optic assembly includes optional frosted lens. 25°, 38° and 60° optics are included with 800lm and 1000lm reflector.  
**Not compatible with /HL LED module.**



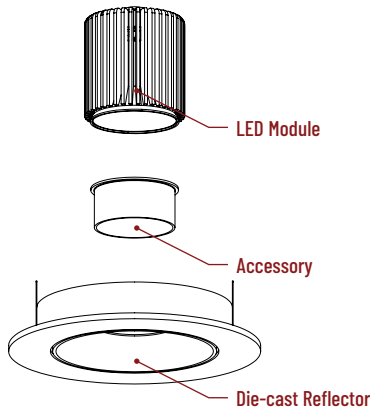
Premium TIR Optics

NIO-REFLTIR15	15° Optic
NIO-REFLTIR25	25° Optic

**Not compatible with /HL LED module or Comfort Dim (CDX) technology**

### ACCESSORIES

Iolite accessories can be added at any point in the design process. Accessories easily install between LED module and die-cast reflector. Luminaire will accommodate (1) hex louver and (1) collar accessory, no accessory holder required.



Translucent Decorative Collar

NIO-AS14(color)	5/8" length
NIO-AS19(color)	3/4" length
NIO-AS26(color)	1" length
<b>Color:</b>	
AM (amber), BLU (blue), FR (frosted), R (red)	

Translucent collars color the aperture with the specified color while producing white general light. Collars are available in different lengths. Use to add interest, create a theme, match a theme or define a space.



Opaque Collar Snoot

NIO-AS14(color)	5/8" length
NIO-AS19(color)	3/4" length
NIO-AS26(color)	1" length
<b>Color:</b>	
BLK (black), MPW (matte powder white), WH (white)	

Opaque snoot greatly reduces aperture brightness while preserving light output. (Note: Black snoot will reduce light)



Hex Cell Louver

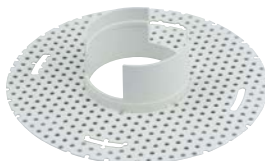
NIO-HC	Black
--------	-------

Hex cell louver subtly reduces aperture brightness by reducing light output by about 20%.

### TRIMLESS

4" Iolite trimless reflectors have no exposed trim flange and the result is a minimalist knife edge appearance. A trimless mount mud ring is installed after the drywall and a professional drywall finisher floats the ceiling to blend in the mud ring.

Trimless Mount Mud Ring



NIO-TLMR-4R	Round Mud Ring
-------------	----------------

Mounts trimless reflector with no exposed flange and no extension beyond ceiling plane. Mud ring attaches to drywall. **Only for use with NH10ICD-48 or NH10ICDCP-48 new construction housings and NIO-4RTL reflectors.**  
Dimensions: 7-7/8" diameter 1/2" thick