



Project: _____

Location: _____

Fixture Type: _____

Catalog Number: _____

AVAILABLE FINISHES:



Trixie

PD286630

PRODUCT DESCRIPTION

Sculptural Curves. Radiant Glow. The Trixie Pendant embodies bold modernism with a refined, artistic edge. A dramatic oval ring, finished in luminous gold leaf, floats within a sleek vertical form — creating a sculptural statement that feels both futuristic and timeless. More than a source of illumination, Trixie transforms light into a design element, casting a warm, ambient glow that adds depth and drama to any space. Perfect as a standalone centerpiece or in multiples over a kitchen island, Trixie delivers an unforgettable visual impact. It's lighting as art — unapologetically bold, effortlessly elegant, and designed to defy convention.

FEATURES

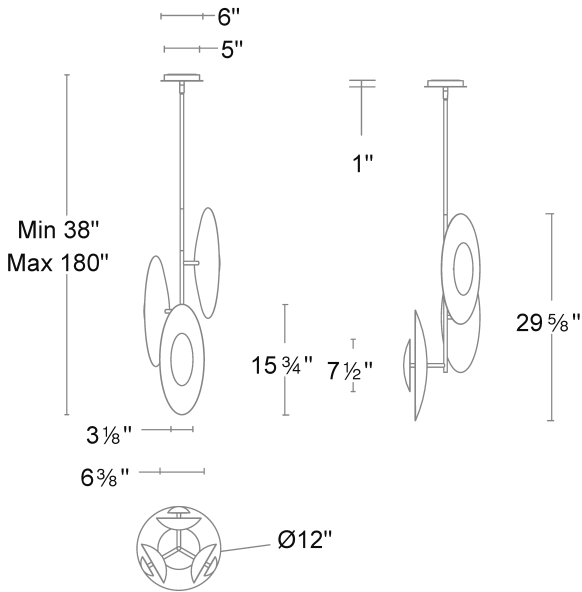
- Driver concealed within the canopy
- Hand leafed interior
- Backlit illumination
- Spin on round canopy with minimal hardware
- Three 12" and one 6" down rods included (additional sold separately)
- Slope ceiling adaptable. Hang straight swivel.

SPECIFICATIONS

Rated Life	50,000 Hours
Standards	ETL, cETL,Damp Location Listed
Input	120-277 VAC,50/60Hz
Dimming	ELV: 100-10%,TRIAC: 100-5%
Color Temp	3000K
CRI	90
Construction	Aluminum and iron frame with PC diffuser

REPLACEMENT PARTS

- ROD-I06-D127-KRBZ - 6" Rod
- ROD-I12-D127-KRBZ - 12" Rod
- HDW-KS26-IN - Hardware Pack



PD286630

Model & Size	Color Temp	Finish	LED Watts	LED Lumens	Delivered Lumens
PD286630 30"	3000K	BZ/GL Bronze & Gold Leaf	25.2W	1000	904

Example: **PD286630-BZ/GL**

For custom requests please contact customs@modernforms.com