

INSTALLATION INSTRUCTIONS

Item#5211-xxx,5212-xxx,5213-xxx

READ AND SAVE THESE INSTRUCTIONS

WARNING! SHUT POWER OFF AT FUSE OR CIRCUIT BREAKER.
VERTISSEMENT! COUPER LE COURANT AU NIVEAU DES FUSIBLES OU DU DISJONCTEU

ASSEMBLING THE FIXTURE (Fig. 1)

1. Shut off power at the fuse box or circuit breaker box and remove the old fixture including the mounting hardware.
2. Carefully unpack your new fixture and lay out all the parts in a clean area. Take care not to misplace any small parts necessary for installation.
3. Install (1) one candelabra base bulb for 5211 or (1) one medium base bulb for 5212/5213 up to 60 watts each or CFL or LED equivalent (Not included), in accordance with the fixture specification — **DO NOT EXCEED THE MAXIMUM WATTAGE RATING! (NE PAS DEPASSER LA PUISSANCE NOMINALE MAXIMALE!)**.
4. Place fixture body (L) slightly on an angle into glass shade (M). Reference Details on Fig.1. Carefully place cover (K) on fixture body (L), thread loop (J) to fixture body (L) to secure glass shade (M) onto fixture body (L). Do not over tighten.
5. Determine the desired hanging height and remove the excess chain (D) with proper chain pliers.
6. Attach one lock link (H) onto loop (J) and one end of chain (D).
7. Carefully lace fixture's wires through chain (D), skipping every other chain link. Slip collar ring (F) and canopy (E) down over end of chain (D) and fixture wires.

HANGING THE FIXTURE (Fig. 2)

8. Attach crossbar assembly to junction box (Not included) using junction box screw (B). The side of crossbar (A) marked "GND" must face out. The length of all thread into crossbar (A) may be adjusted if necessary. Then tighten with hex nuts provided.
9. Threaded collar loop (G) to all thread (C). Then attach another lock link (H) onto collar loop (G) and another end of chain (D).
10. Push fixture wires through lock link (H), collar loop (G) and all thread inside junction box.

CONNECTING THE WIRE (Fig. 3)

11. Connect the electrical wire as shown in Fig.3. Making sure that all wire connectors are secured. If your junction box has a ground wire (green or bare copper), connect fixtures ground wire to it. Otherwise, connect fixture ground wire directly to the crossbar using green screw provided.
12. Tuck wire connections neatly into the outlet box.

FINISHING THE FIXTURE (Fig.1)

13. Place canopy (E) up against ceiling and thread collar ring (F) to secure fixture to ceiling.

Your installation is now complete. Return power to the junction box and test the fixture.

Note: Illustration (Fig. 1) on this manual is for installation purposes only. It may or may not be identical to the fixture purchased.

Fig.1

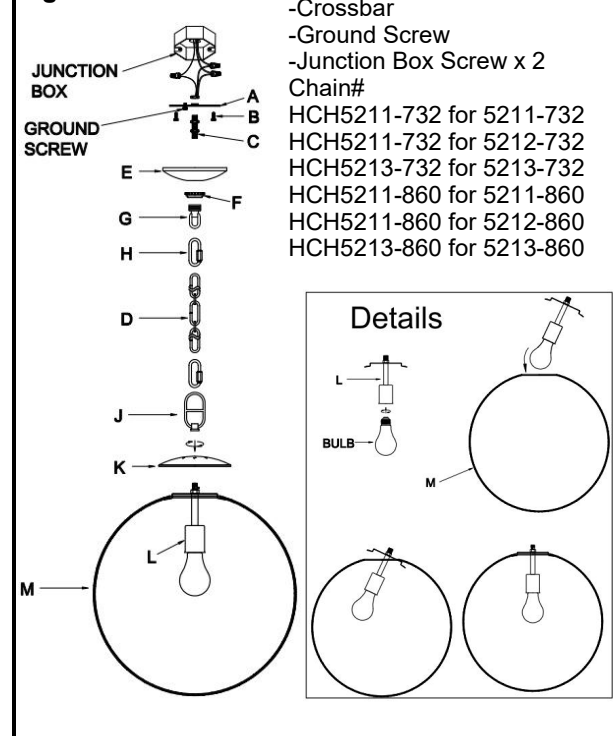


Fig. 2

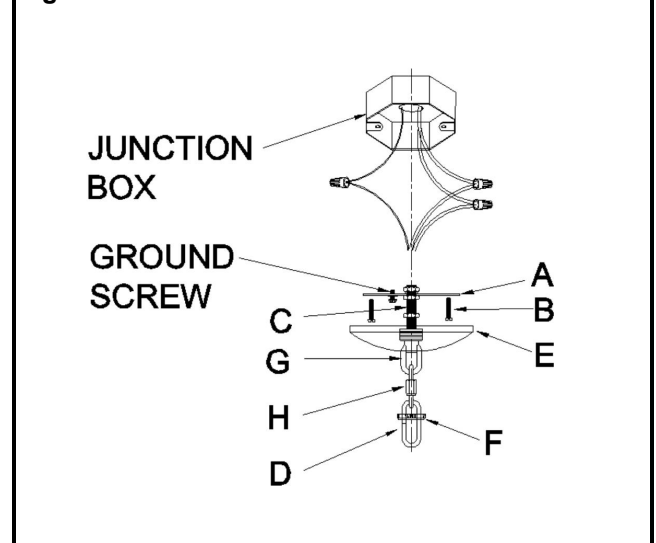
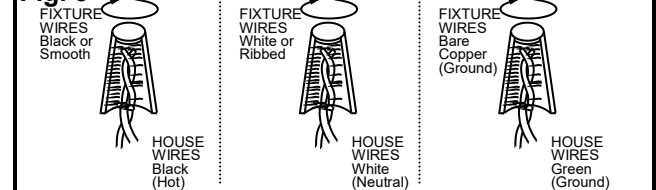


Fig. 3



Notice: It is important to use proper chain pliers (not included). To OPEN and CLOSE the chain included with this fixture. Do not open them with other tools that may twist or stress the chain links. It is important to use proper chain pliers like the ones shown in the diagram.

