

INSTALLATION INSTRUCTIONS

Item#1056-691 (New. 11/27/2019)

READ AND SAVE THESE INSTRUCTIONS

WARNING! SHUT POWER OFF AT FUSE OR CIRCUIT BREAKER.

AVERTISSEMENT! COUPER LE COURANT AU NIVEAU DES FUSIBLES OU DU DISJONCTEUR.

PREPARATION (Fig. 1)

1. Shut off power at the fuse box or circuit breaker box and remove the old fixture including the mounting hardware.
2. Carefully unpack your new fixture and lay out all the parts in a clean area. Take care not to misplace any small parts necessary for installation.

ASSEMBLING THE FIXTURE WITH CHAIN LOOP (Fig. 1&Fig. 2)

3. Secure the tube assembly (I) onto the nipple (Q) of the fixture body (P).
4. Insert one end of the side bar (M) into the upper housing of the tube assembly (I), then secure the other end of the side bar (M) onto the fixture body (P) by using the screw (N).
5. Determine the desired hanging height and thread rods (F1, F2 and F3) to the nipple of the tube assembly (I). Then attach loop (H1) by screwing into rod (F1). Pass the wires carefully through each rod as you assemble.
6. Attach the quick link (G) connect to loop (H1) and loop (H2) on the canopy (D), carefully feed the wire over loop (H1), quick link (G) and loop (H2).
7. Thread mounting screws (A) into the pre-drilled holes in the circular strap (B) spaced the same distance apart as the holes in the canopy (D).
8. Attach the circular strap (B) to the Junction box using outlet box screws (C) (Size: #8-32N*L1"). The side of the circular strap marked "GND" must face out.
9. The support cable(S) is provided to support the weight of the fixture while wiring. Align the fixture to circular strap (B) and attach hook (R) on end of support cable (S) into a slot located on circular strap (B). Carefully allow the support cable (S) to support the weight of the fixture while wiring.

CONNECTING THE WIRES (Fig. 3)

10. At this point, connect the electrical wires as shown in fig 3, making sure that all wire connectors are secured. If your outlet has a ground wire (green or bare copper), connect the fixture's ground wire to it. Otherwise, connect the fixture's ground wire directly to the circular strap (B) using the green screw provided.
11. Tuck the wire connectors neatly into the ceiling Junction Box and then raise the canopy all the way to the ceiling.

COMPLETING THE INSTALLATION (Fig. 1)

12. Thread canopy (D) into mounting screws (A), and secure with knurled knobs (E).
13. Place the glass shade (K) and tube (J) over the socket (O).
14. Install (6) six candelabra base bulbs (L) up to 60 watts each or CFL or LED equivalent (not included) in accordance with the fixture specification—**DO NOT EXCEED THE MAXIMUM WATTAGE RATING! (NE PAS DEPASSER LA PUISSANCE NOMINALE MAXIMALE!)**.

Your installation is now complete. Return power to the junction box and test the fixture.

Note: Illustration (Fig. 1) on this manual is for installation purposes only. It may or may not be identical to the fixture purchased.

Fig. 1

Set# A-020

-Circular Strap

-Ground Screw

-Outlet box Screw*2

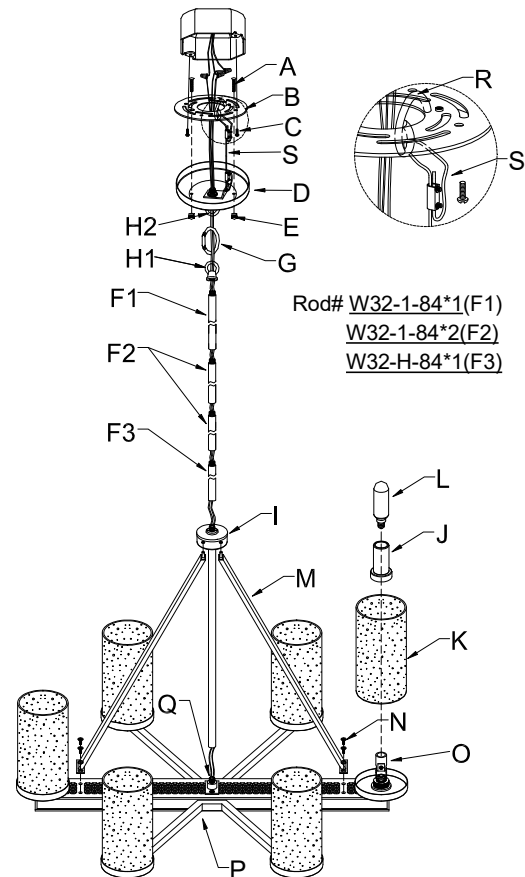


Fig. 3

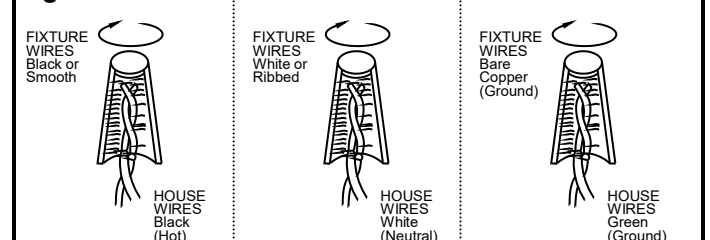
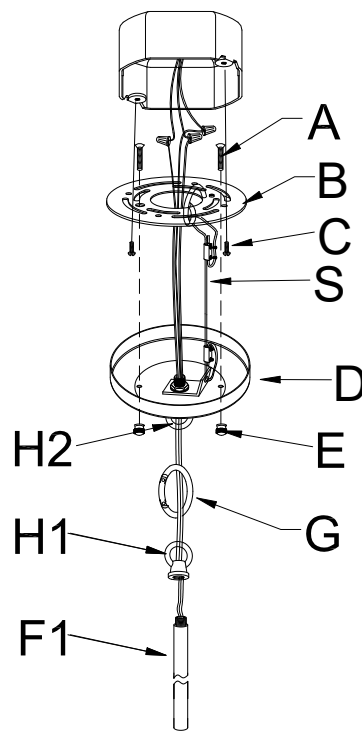
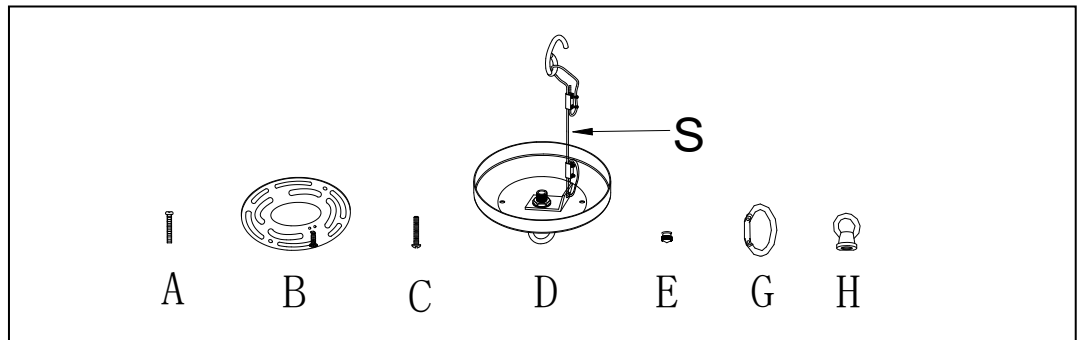


Fig.2



a. Hardware Bag:

- A. Mounting Screw*2
- B. Circular Strap*1
- D. Canopy *1
- C. Outlet box Screw*2
- E. Knurled Knob*2
- H. Loop*2
- G. Quick Link*1



b. Hardware Bag:

- F1. ROD 12"*1
- F2. ROD 12"*2
- F3. ROD 6"*1

