



ASSEMBLING & INSTALLATION INSTRUCTIONS

The drawing shown may not exactly match the product enclosed.
However, the installation instructions do apply to this product.

60034 60439 Plug-in type mounted

- ◆ **WARNING! SHUT POWER OFF AT FUSE OR CIRCUIT BREAKER.**
- ◆ **ATTENTION! COUPER LE COURANT AU FUSIBLE OU UN DISJONCTEUR.**

ASSEMBLING THE FIXTURE (Fig.1)

1. Shut off the power at the circuit breaker box. Remove old fixture and the hardware from Junction Box.
2. Carefully unpack your new fixture and lay out all the parts on a clear area. Take care not to lose any small parts necessary for installation.
3. Determine the fixture mounted position. Hold mounting plate up against to the wall, while the side thread holes of mounting plate are leveled horizontally, use a pencil to mark the holes located of mounting plate on the wall for drilling.
4. Drilling four holes in the wall, then loaded plastic anchors. Attach the mounting plate to the wall, align the plastic anchors, lock it securely with the four wood screws. The side of the mounting plate marked "GND" must face out.
5. Follow wiring instructions carefully (see fig.2).
6. Raise the pipe(D,F) to bottom backplane of fixture body(C), by turning it clockwise until tight. Attach the fixture body(C) onto the mounting plate, aligning the backplane holes with thread holes of the mounting plate on side, lock it securely with the mounting screws.
7. Determine the pipe(D,F) desired fixed height on the wall, please drilling two holes on the wall near the pipe side, then loaded plastic anchors, raise the clip(E) onto the anchors, lock it securely with the two wood screws.
8. Raise the shade(B) to the lamp holder, then lock it securely with check ring (A) until tight.
9. Install the light bulb(not included) in accordance with the fixture's specifications. **NOTE: DO NOT EXCEED THE MAXIMUM WATTAGE RATING!**

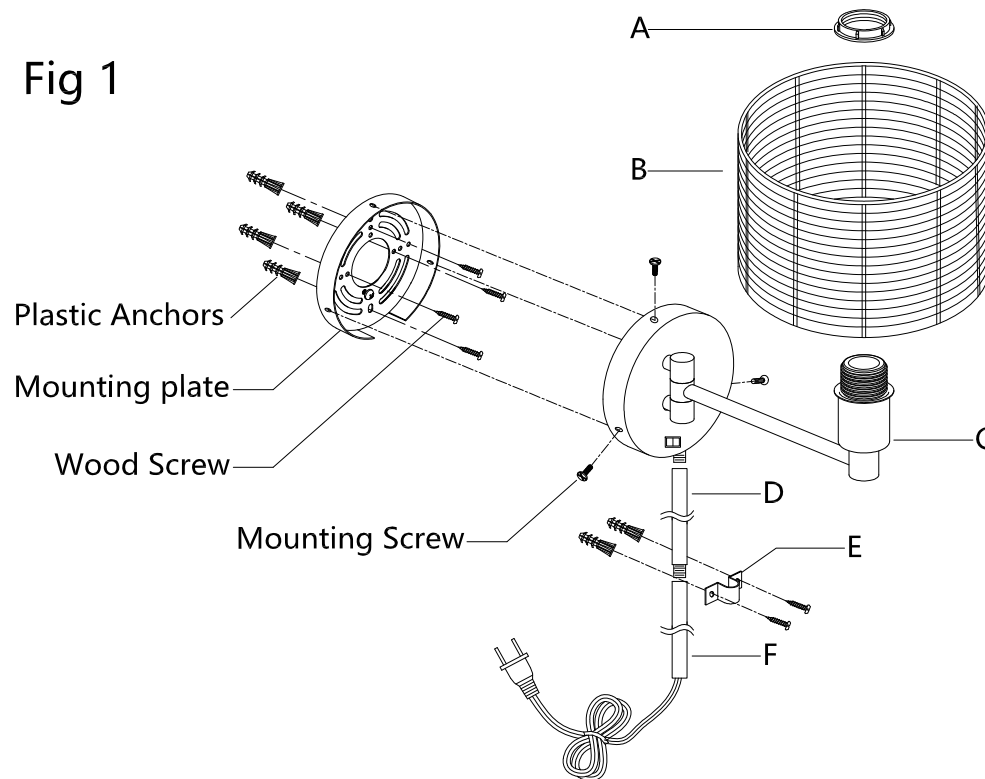
FIG.2 IMPORTANT SAFETY INSTRUCTIONS

This portable lamp has a polarized plug. As a safety feature to reduce the risk of electric shock. This plug will fit in a polarized outlet only one way. If the plug does not fit fully in the outlet, reverse the plug. If it still does not fit, contact a qualified electrician. Never use with an extension cord unless the plug can

be fully inserted. Do not alter the plug.

Your installation is now complete. Return power and test the fixture.

Fig 1



Thank you for purchasing a **LIVEX** product.

Need assistance with parts or assembly? Please call customer service at: **800-761-8056**

Or visit us on-line at: WWW.LIVEXLIGHTING.COM



ASSEMBLING & INSTALLATION INSTRUCTIONS

The drawing shown may not exactly match the product enclosed.
However, the installation instructions do apply to this product.

60034 60439 Hard wired mounted

- ◆ **WARNING! SHUT POWER OFF AT FUSE OR CIRCUIT BREAKER.**
- ◆ **ATTENTION! COUPER LE COURANT AU FUSIBLE OU UN DISJONCTEUR.**

ASSEMBLING THE FIXTURE (Fig.1)

1. Shut off the power at the circuit breaker box. Remove old fixture and the hardware from Junction Box.
2. Carefully unpack your new fixture and lay out all the parts on a clear area. Take care not to lose any small parts necessary for installation.
3. Attach the mounting plate to the junction box, while the side thread holes of mounting plate is leveled horizontally, then using two box screws until tight as shown. The side of the mounting plate marked "GND" must face out. The junction box is not included.
4. Guide supply wires through hole in center of mounting plate.
5. **IF YOU NOT NEED LAMP'S POLARIZED PLUG, PLEASE RESERVE 8-INCH CORD AND CUT THE REST OF POWER CORD, THEN FOLLOW WIRING INSTRUCTIONS CAREFULLY. Fig.2.**
6. Attach the fixture body (C) onto the mounting plate, aligning the backplane holes with thread holes of the mounting plate on side, lock it securely with the mounting screws.
7. Raise the shade(B) to the lamp holder, then lock it securely with check ring (A) until tight.
8. Install the light bulb(not included) in accordance with the fixture's specifications. **NOTE: DO NOT EXCEED THE MAXIMUM WATTAGE RATING!**

CONNECTING THE WIRES (Fig.2)

1. Connect the electrical wires as follows. Connect the Black wire from the fixture to the black house (hot) Wire. Connect the white wire from the fixture to the white (neutral) house wire. Make sure all wire nuts are secured. You may wrap the connections with electrical tape. If your junction box has a ground wires (green or bare copper) connect fixture's ground wire to it. Otherwise attach the bare copper fixture wire to the green ground screw on the mounting plate.
2. Tuck the wire connections neatly into the wall junction box.

Your installation is now complete. Return power to the junction

box and test the fixture.

Fig 1

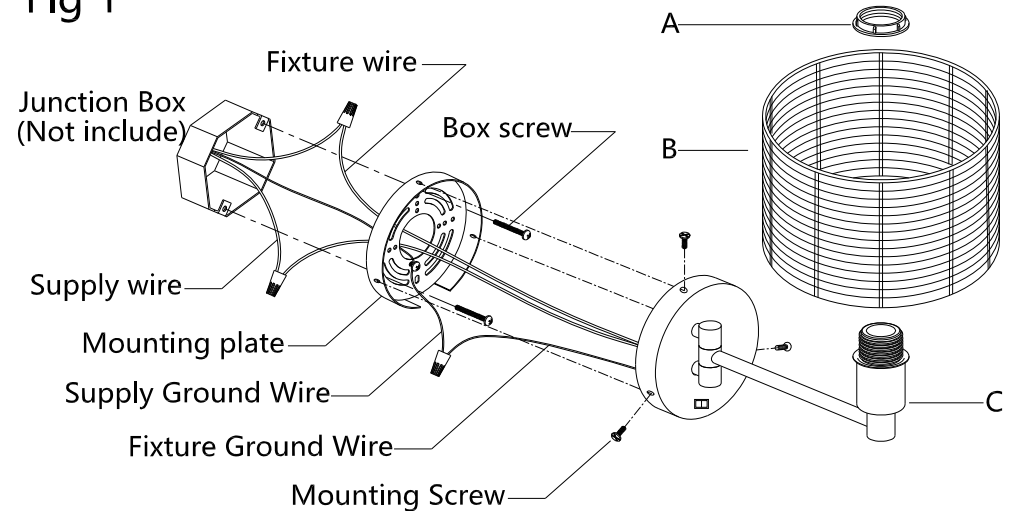
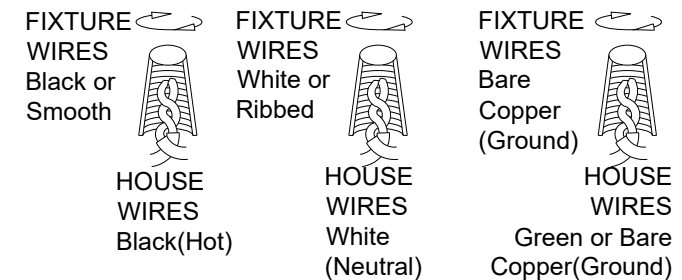


FIG.2



Thank you for purchasing a **LIVEX** product.
Need assistance with parts or assembly? Please call customer service at: **800-761-8056**
Or visit us on-line at: WWW.LIVEXLIGHTING.COM