



ASSEMBLING & INSTALLATION INSTRUCTIONS

The drawing shown may not exactly match the product enclosed.
However, the installation instructions do apply to this product.

21543 21863

- ◆ **WARNING! SHUT POWER OFF AT FUSE OR CIRCUIT BREAKER.**
- ◆ **ATTENTION! COUPER LE COURANT AU FUSIBLE OU UN DISJONCTEUR.**

ASSEMBLING THE FIXTURE (Fig.1).

***Shut off the power at the circuit breaker and remove old fixture, including the old small hardware.**

1. Carefully unpack your new fixture and lay out all the parts on a clear area. Be careful and don't lose any small parts that's necessary for installation.
2. Raise the shade(C) insert to the top lamp holder of the fixture body(A), aligning the small mounting holes with the around thread holes of shade's, lock it securely with the screws(B).
3. Screw the pole(D), (E) together tightly. **Follow wiring instructions carefully (see fig.2).**
4. Put the pole(G) onto the concrete base, using the mounting knobs(H) until tight.
 - A. The depth of the base will depend on local soil conditions and frost line. The diameter of the base should be 305mm in order to hold the anchor bolts on the plate.
 - B. Take the three bolts(J) and run a hex nut(K) fully down each part of the threaded section. Insert the bolt(J) to the template(I) and secure with the second hex nuts.
 - C. Mix and pour the concrete into the former until it reaches the top. Push the assembly into concrete until the plate are 0.25 inches above the concrete. Leaving 2 inches of the thread above the concrete.
 - D. It is important to level the template before the concrete sets.
5. Install the fixture body together with the pole(D),(E) onto the pole(G),secure them using the machine screws(H).
6. Install the light bulbs(not included) in accordance with the fixture specifications.
NOTE: DO NOT EXCEED THE SPECIFIED WATTAGE!

CONNECTING THE WIRES (Fig.2)

***Feed the fixture wires through the pole(D),(E).**

1. Take the black wire(hot) from the outlet box and the black wire of fixture and twist bare ends together. Twist wire connector onto end of wire until snug.
2. Repeat same process with white wire(neutral) from outlet box and white wire of fixture. **NOTE: Twist wires together in the same direction you twist the wire connector onto wires.**
3. If your outlet box has a grounding wire (green or bare copper), attach this wire and the bare copper wire from the fixture together as step1. If junction box has no ground wire, attach the fixture bare copper wire to the base(G) bare copper wire.
4. Tuck the wire connections neatly into the pole. Take the fixture body(A) mount onto the pole(D).

Your installation is now complete. Return power to the junction box and test the fixture.

Fig.1

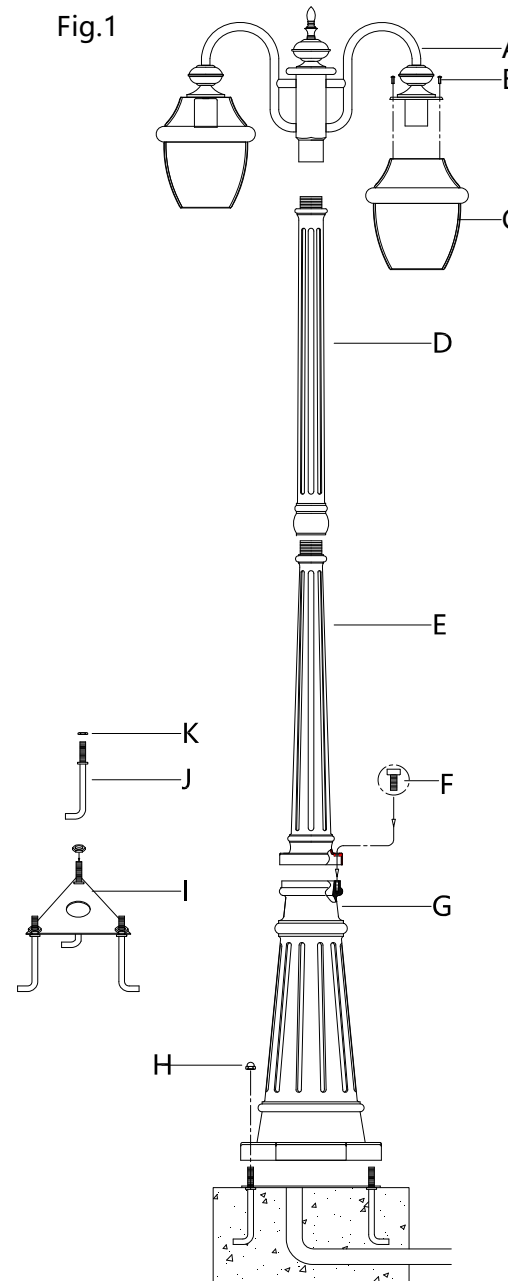




Fig.2

FIXTURE WIRES
Black or Smooth




HOUSE WIRES
Black(Hot)

FIXTURE WIRES
White or Ribbed



HOUSE WIRES
White (Neutral)

FIXTURE WIRES
Bare Copper (Ground)



HOUSE WIRES
Green or Bare Copper(Ground)

Thank you for purchasing a **LIVEX** product.
Need assistance with parts or assembly? Please call customer service at: **800-761-8056**
Or visit us on-line at: WWW.LIVEXLIGHTING.COM