

LED Concrete Ceiling

LD3-CC12W18

INSTALLATION SHEET

START FROM HERE

- Make sure **POWER** is **COMPLETELY OFF** at the fuse box
- Have your fixture installed by a qualified licensed electrician
- Prepare everything in a clear area
- Wear gloves at all time during this installation
- Read instructions carefully before you start assembly
- Keep this installation sheet for future reference

Please Note:

- This Kuzco LED fixture comes with pre-wired LED module(s).
- Unless instructed to do so, please do not touch any part of the LED module(s) as any unnecessary contact with the module could cause permanent damage.
- For dimming, an ELV (Electronic Low Voltage), TRIAC or 0-10V type of dimmer is required.
- 120-277V input

Technical Support: 1-855-855-8926

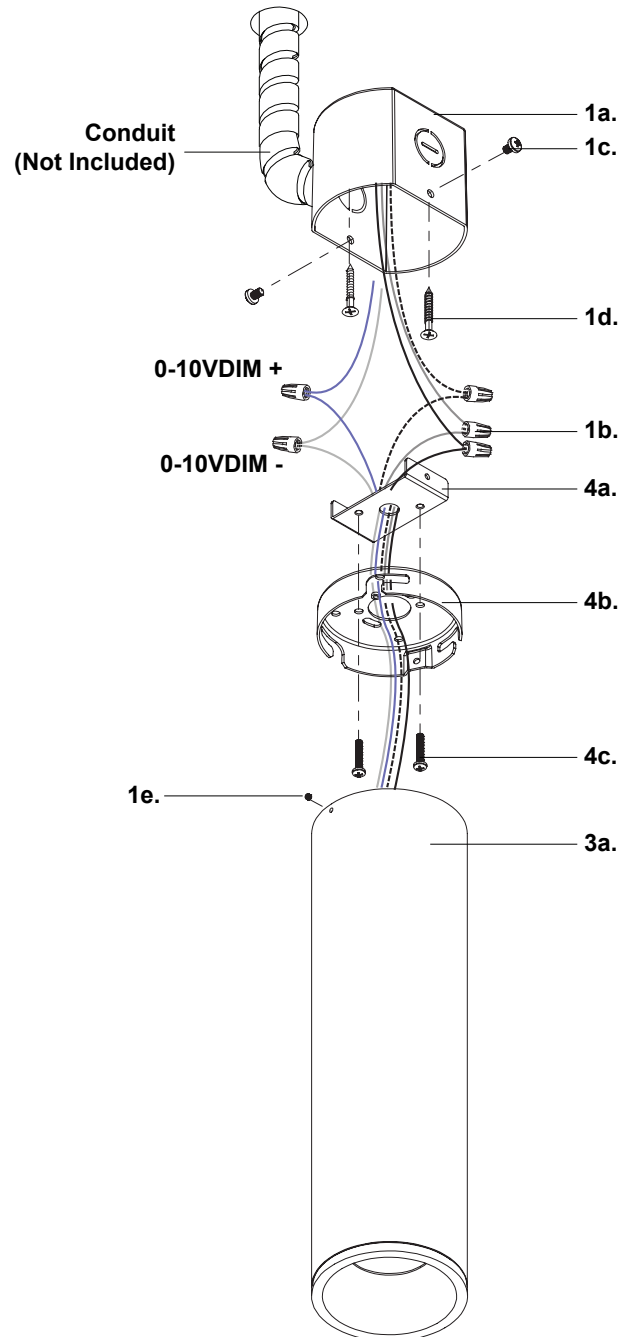
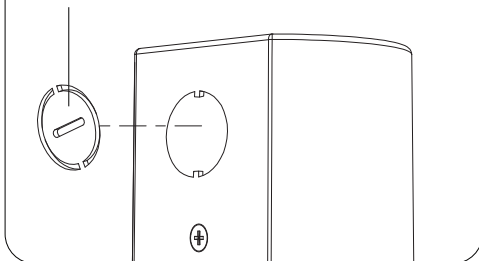
Conduit Installation

Note: Conduit not included

1. Remove fixture from its original package
2. Remove conduit entry cover (2a) (See Illustration 1) and place conduit (not included) through wiring compartment (1a) hole
3. Attach wiring compartment (1a) to mounting surface with screws (1d) using template guide on page 2
4. Make proper electrical connections (black to hot "L", white to neutral "N", ground to "GND") with wire nuts (1b) provided in hardware package. Connect 0-10V dimming wire, DIM+ to purple, DIM- to gray, with wire nuts provided. Use wire nuts to cap the 0-10V wires if not used
5. Secure top plate (4a) to wiring compartment (1a) with screws (1c), followed by mounting plate (4b) and secure to top plate (4a) with mounting plate screws (4c)
6. Twist fixture (3a) onto mounting plate (4b) and secure with fixture screw (1e)

Illustration 1

2a. 1/2" Trade size conduit entry (3 places)



KUZCO

19054 28th Avenue Surrey, BC Canada V3Z 6M3
T: 604 538 7162 TF: 1-855 85 KUZCO F: 604 538 7196
W: kuzcolighting.com
20250331

START FROM HERE

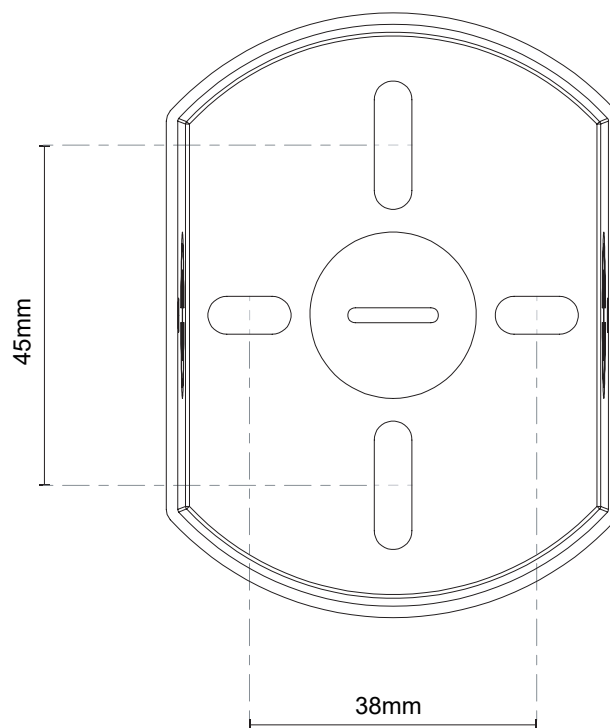
- Make sure **POWER** is **COMPLETELY OFF** at the fuse box
- Have your fixture installed by a qualified licensed electrician
- Prepare everything in a clear area
- Wear gloves at all time during this installation
- Read instructions carefully before you start assembly
- Keep this installation sheet for future reference

Please Note:

- This Kuzco LED fixture comes with pre-wired LED module(s).
- Unless instructed to do so, please do not touch any part of the LED module(s) as any unnecessary contact with the module could cause permanent damage.
- For dimming, an ELV (Electronic Low Voltage), TRIAC or 0-10V type of dimmer is required.
- 120-277V input

Technical Support: 1-855-855-8926

Mounting Holes Template Guide



KUZCO

19054 28th Avenue Surrey, BC Canada V3Z 6M3
T: 604 538 7162 TF: 1-855 85 KUZCO F: 604 538 7196
W: kuzcolighting.com
20250331