

SPECIFICATIONS

Certifications/Qualifications

| | |
|-----------------|--|
| ADA Compliant | No |
| Prop65 | Yes |
| Location Rating | Dry |
| | kichler.com/warranty |

Dimensions

| | |
|---|---------|
| Height | 2.75" |
| Width | 24" |
| Height From Center Of Wall Opening (Spec Sheet) | 1.5" |
| Depth | 6" |
| Weight | 7.5 LBS |
| Canopy Height | 2.75" |
| Canopy Width | 23.25" |
| Canopy Depth | 2.25" |

Electrical

| | |
|---------------|-------|
| Input Voltage | 120 V |
|---------------|-------|

Light Source

| | |
|------------------------|--------------|
| Light Source | Bulb |
| Lamp Included | Not Included |
| # Of Bulbs/LED Modules | 2 |
| Max Or Nominal Watt | 13 W |
| Lamp Type | T10 |
| Socket Type | E26 (Medium) |
| Dimmable | Yes |

Mounting/Installation

| | |
|-------------------|------------------|
| Interior/Exterior | Interior Product |
| Mounting Weight | 7.5 LBS |
| Lead Wire Length | 72 |

FIXTURE ATTRIBUTES

Housing/Glass

| | |
|------------------|-------|
| Primary Material | Steel |
|------------------|-------|

Outer Shade Details

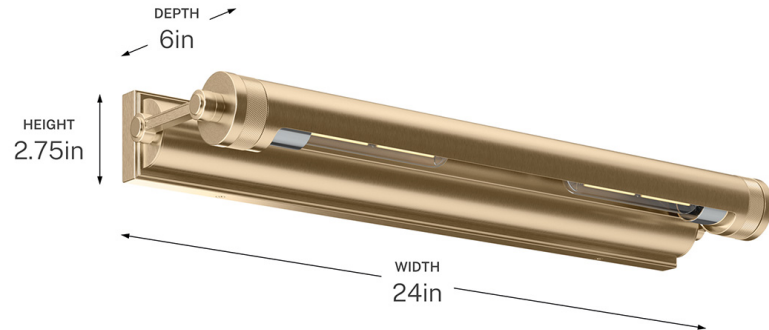
| | |
|----------|-----------|
| Type | Shade |
| Location | Outer |
| Material | Steel |
| Shape | Rectangle |
| Length | 23.25" |
| Height | 2.25" |
| Width | 2.25" |

Product/Ordering Information

| | |
|--------|-------------------|
| SKU | 52815CPZ |
| Finish | Champagne Bronze™ |
| UPC | 783927090766 |

Finishes

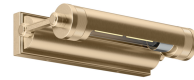
- Black
- Champagne Bronze™
- Polished Nickel



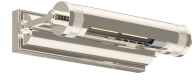
ALSO IN THIS FAMILY



52813BK



52813CPZ



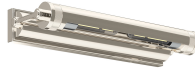
52813PN



52814BK



52814CPZ



52814PN