

**SPECIFICATIONS**

**Certifications/Qualifications**

Prop65	Yes
Location Rating	Dry <a href="http://kichler.com/warranty">kichler.com/warranty</a>

**Dimensions**

Height	0.15"
Length	0.75"
Width	0.75"
Weight	0.003 LBS

**Electrical**

Input Voltage	24 V
---------------	------

**Mounting/Installation**

Interior/Exterior	Interior Product
-------------------	------------------

**FIXTURE ATTRIBUTES**

**Housing/Glass**

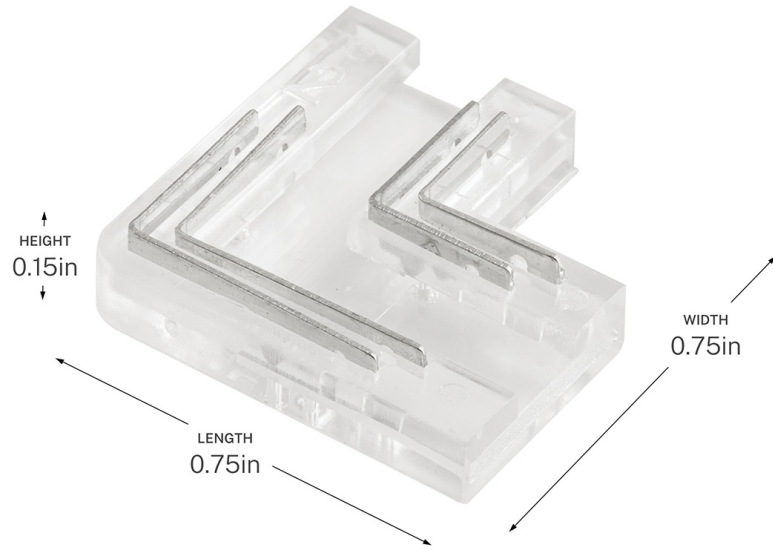
Primary Material	Plastic
------------------	---------

**Product/Ordering Information**

Sku	1CTCOB90CLR
Finish	Clear
UPC	783927087889

**Finishes**

- Clear



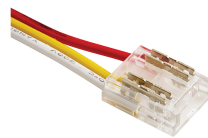
**ALSO IN THIS FAMILY**



1CTCOBTTCLR



1CTCOBTWCLR



1CTCOBTWSCLR



1DMXDBK



1TUNLCTRBK



1TUNWCTRBK