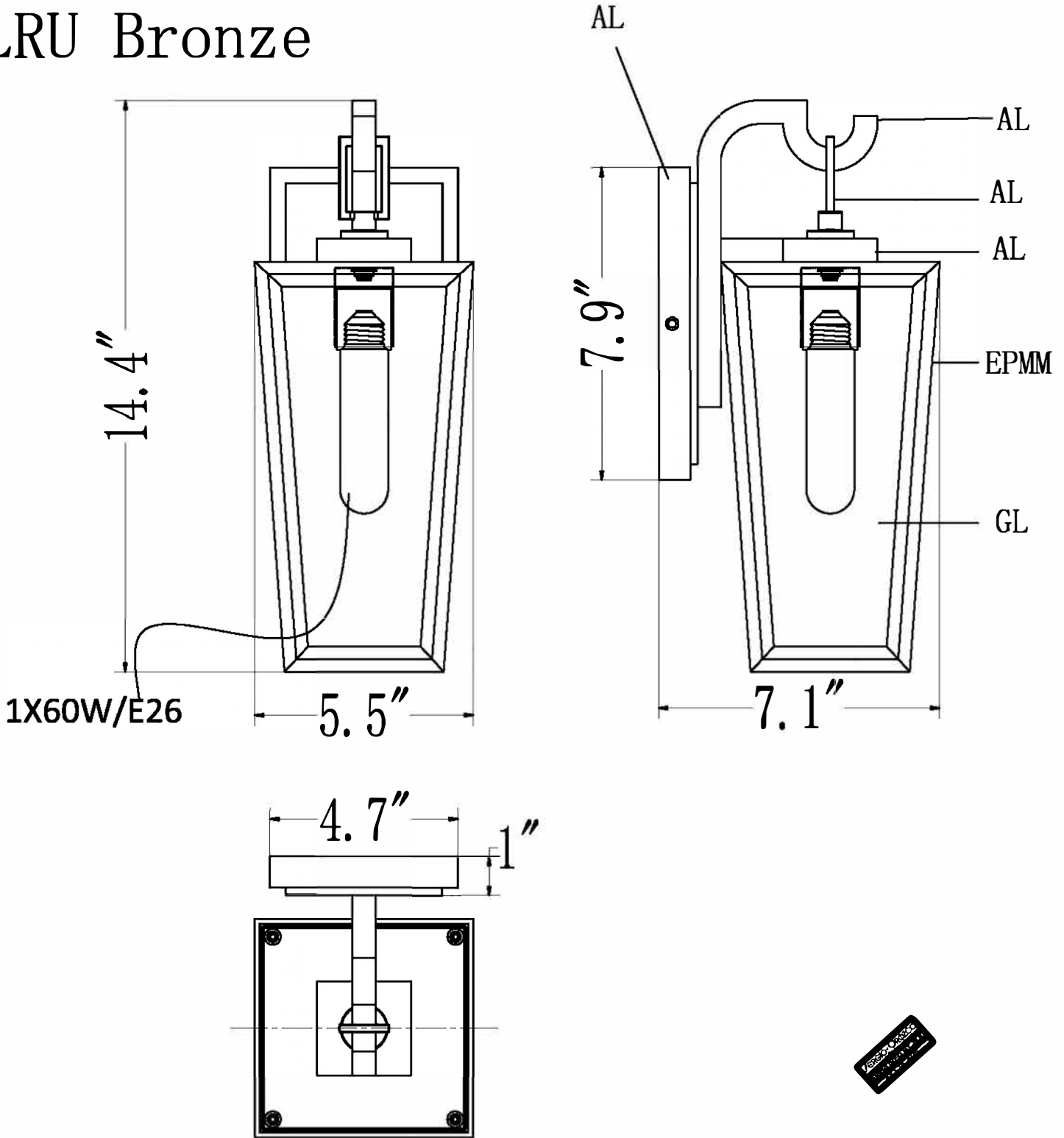


DESIGN COPYRIGHT - 06/28/2025  
 ALL RIGHTS RESERVED AND MAY  
 NOT BE DUPLICATED WITHOUT OUR  
 WRITTEN PERMISSION

# Matte Black-LRU A24

## LRU Bronze



ITEM: 0D-952-1W-BK-14

REV:	DATE:	BY:	CHK:
SDD #:		90504 07F-8	