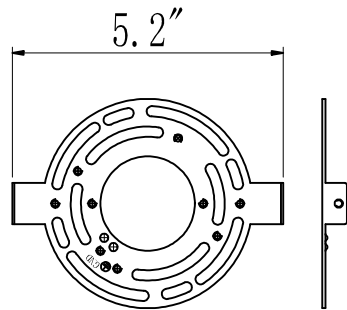
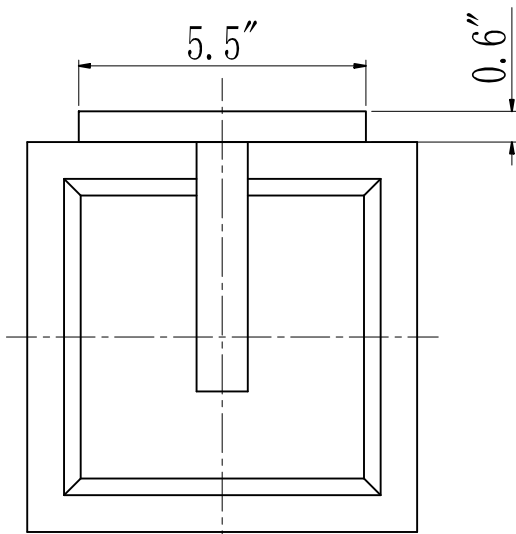
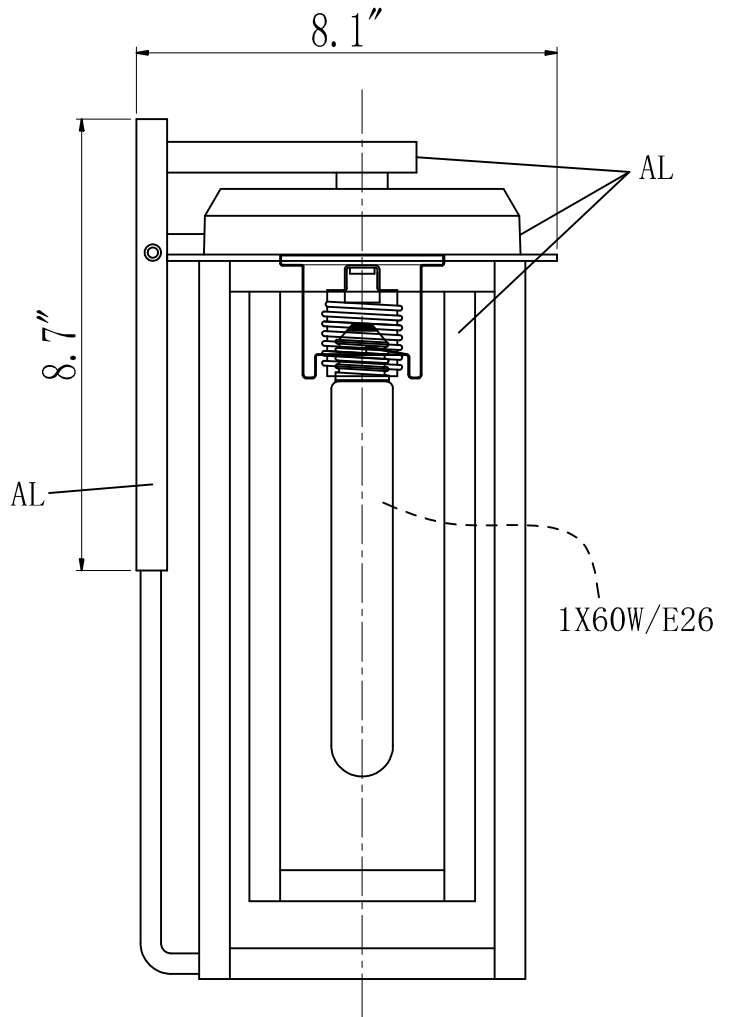
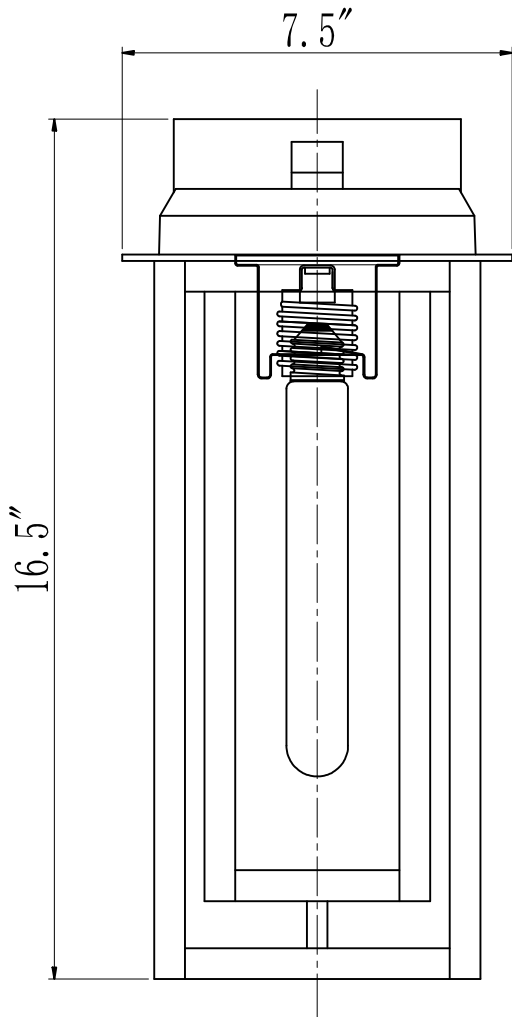


DESIGN COPYRIGHT - 06/23/2025
ALL RIGHTS RESERVED AND MAY
NOT BE DUPLICATED WITHOUT OUR
WRITTEN PERMISSION



ITEM:
OD-951-1W-BK-16

DATE:	FILE:	WORK:
DATE:	FILE:	WORK:
SOP #:	81058	01E-M
REV:	001	001