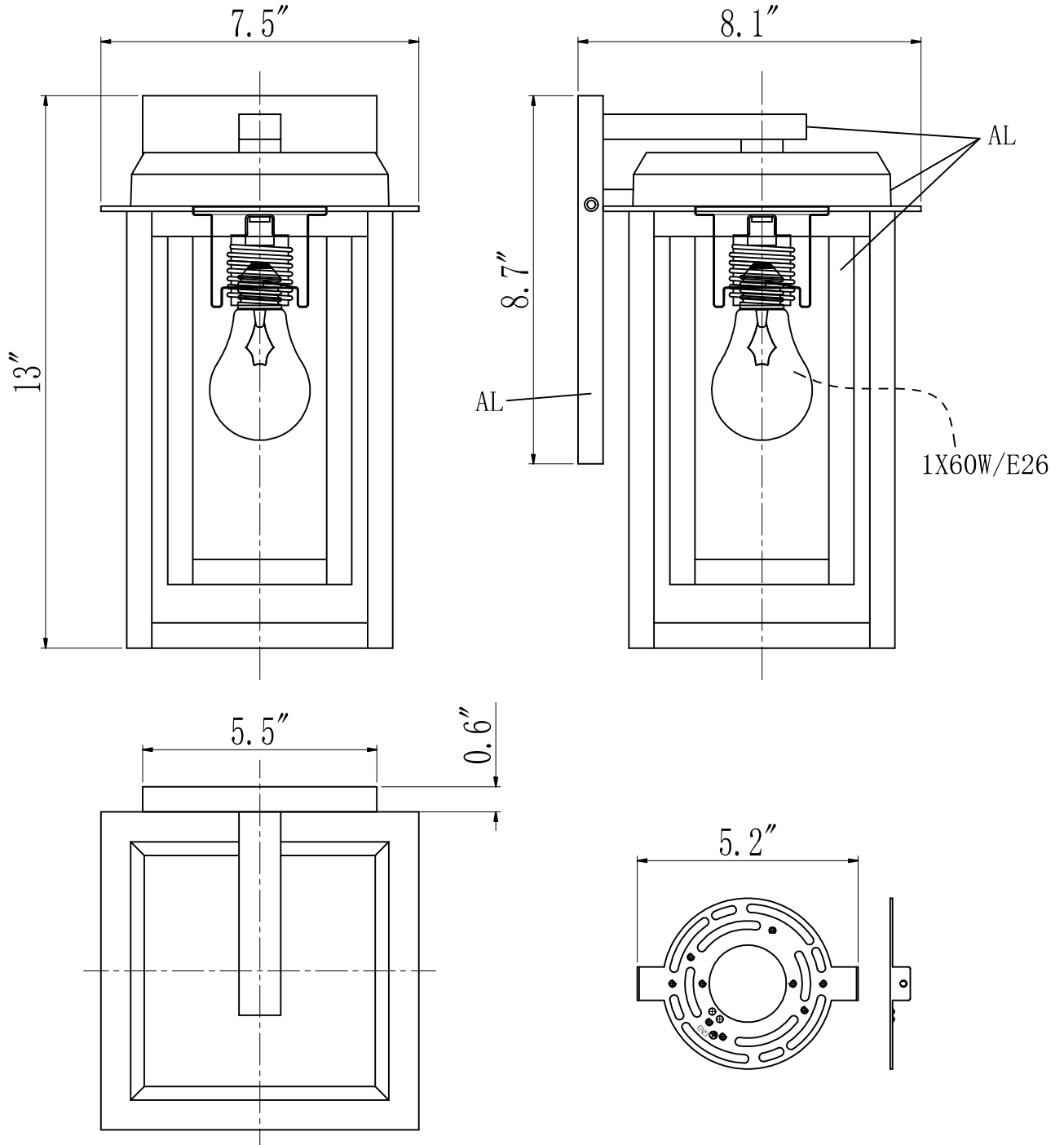


DESIGN COPYRIGHT - 06/23/2025
ALL RIGHTS RESERVED AND MAY
NOT BE DUPLICATED WITHOUT OUR
WRITTEN PERMISSION



ITEM:
OD-951-1W-BK-13



DATE:	FILE:	CODE:
USER:	ISSUE:	TYPE:
SOP #:	81058	01E-S
REV:	REV:	REV: