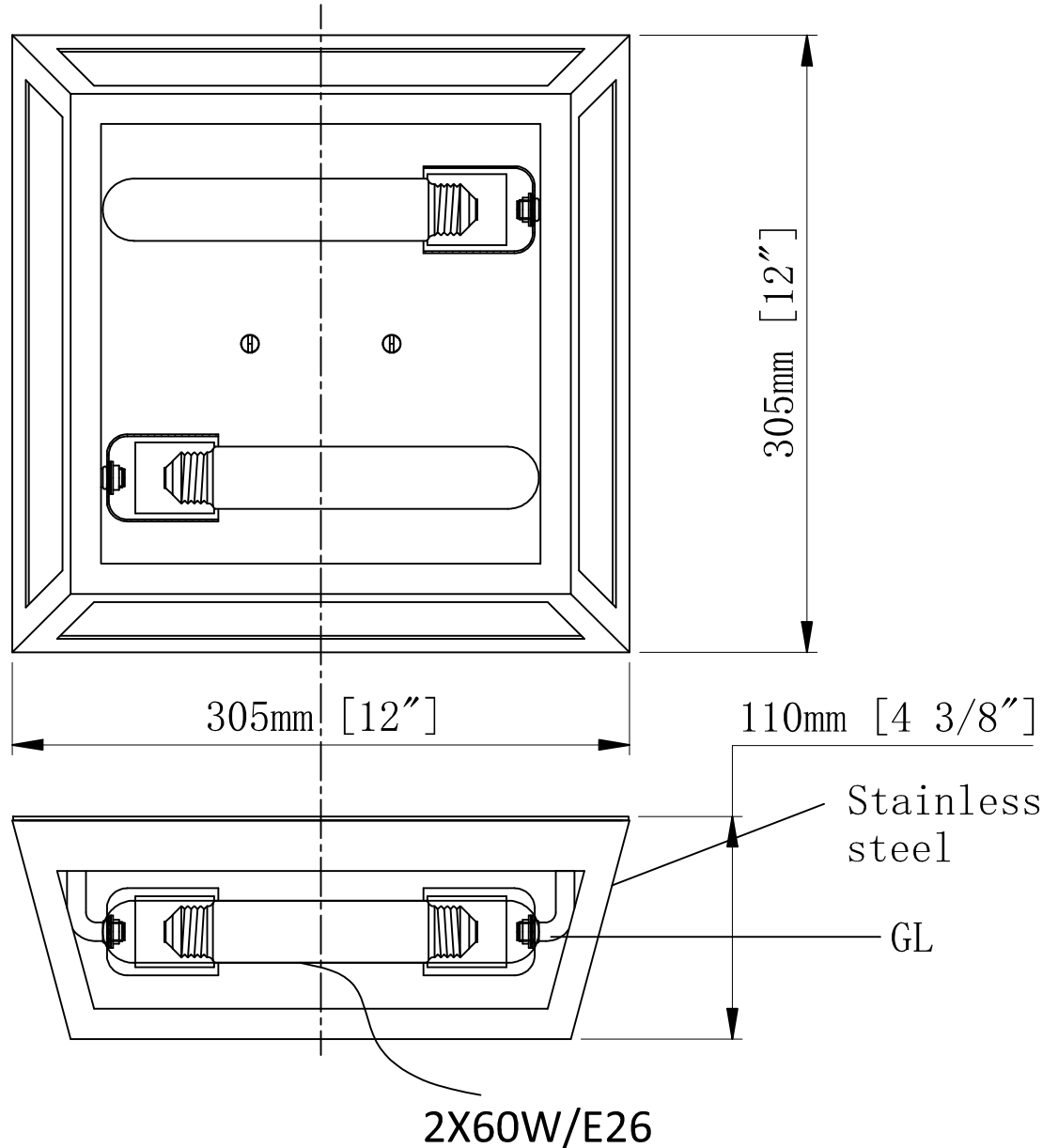


# Sand black-LRU A22

## LRU Bronze



# ITEM: 9952-1F-12

DATE:	REV:	BY:
01/06/2025	01	01
SOP #:	90501 01-FH	
REV:	REV:	REV: