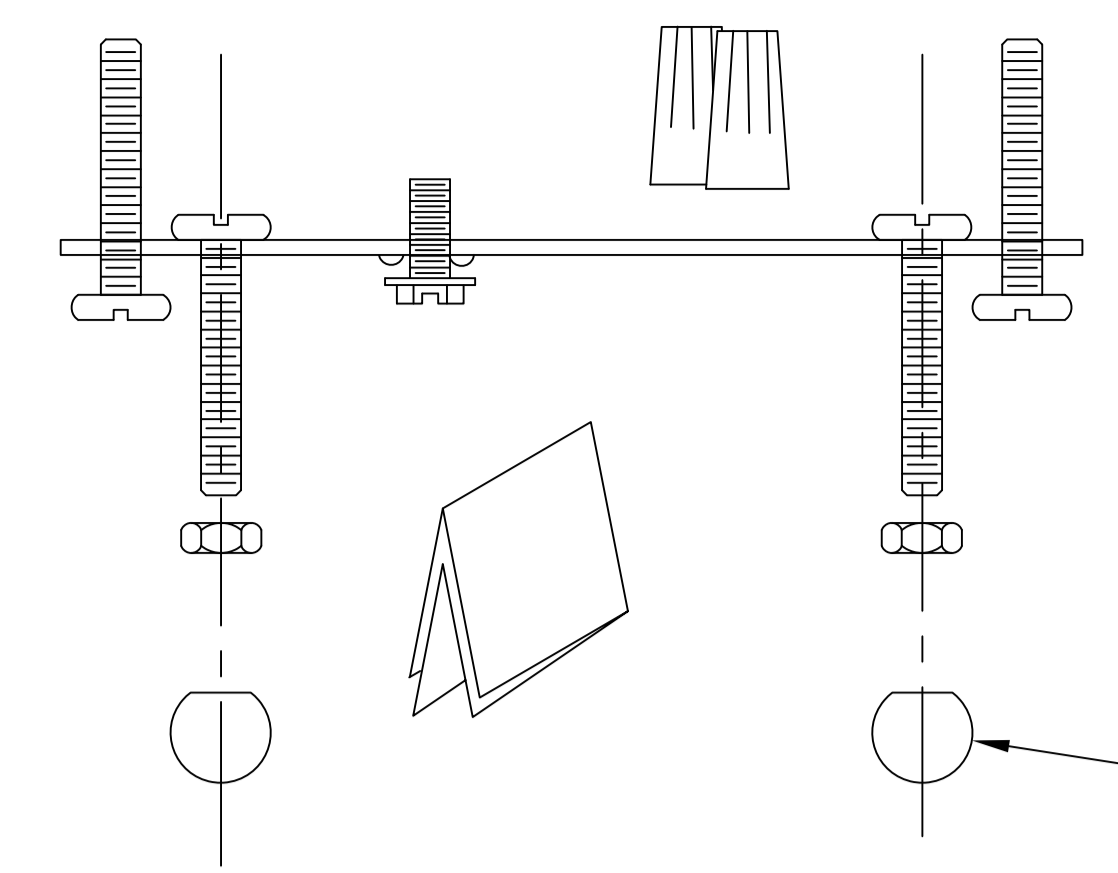
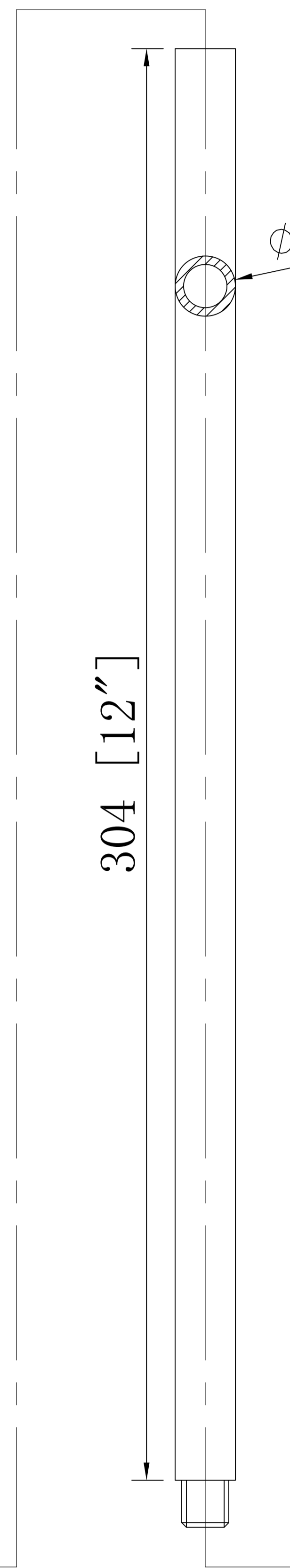
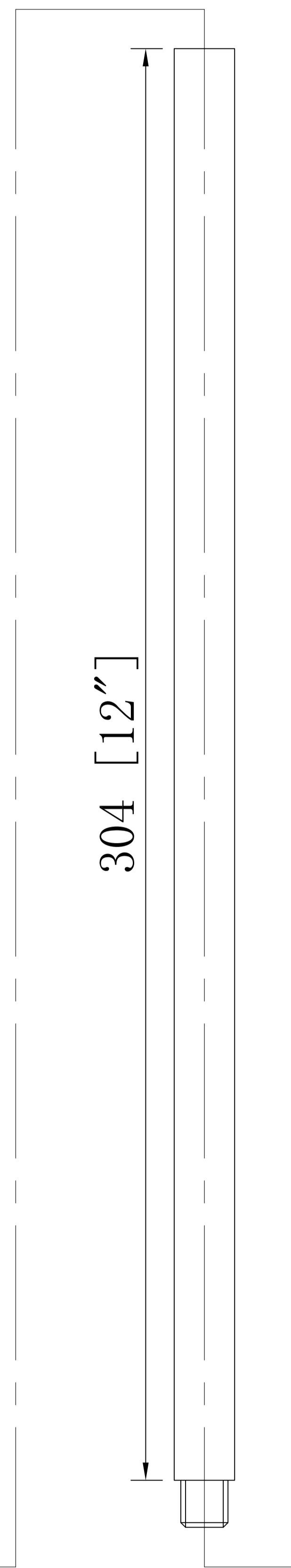
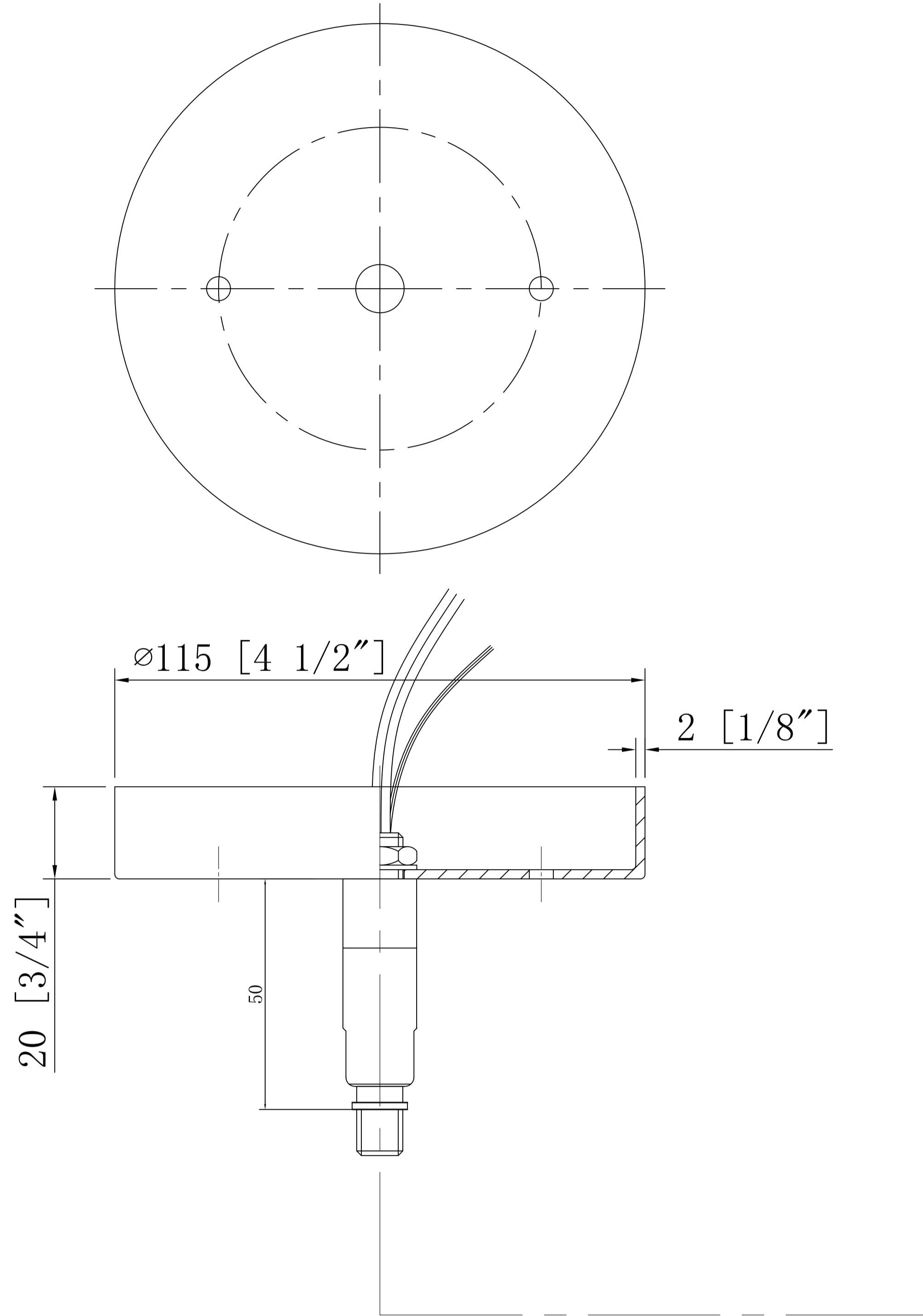


DESIGN COPYRIGHT – 12/27/2023

ALL RIGHTS RESERVED AND MAY
NOT BE DUPLICATED WITHOUT OUR
WRITTEN PERMISSION



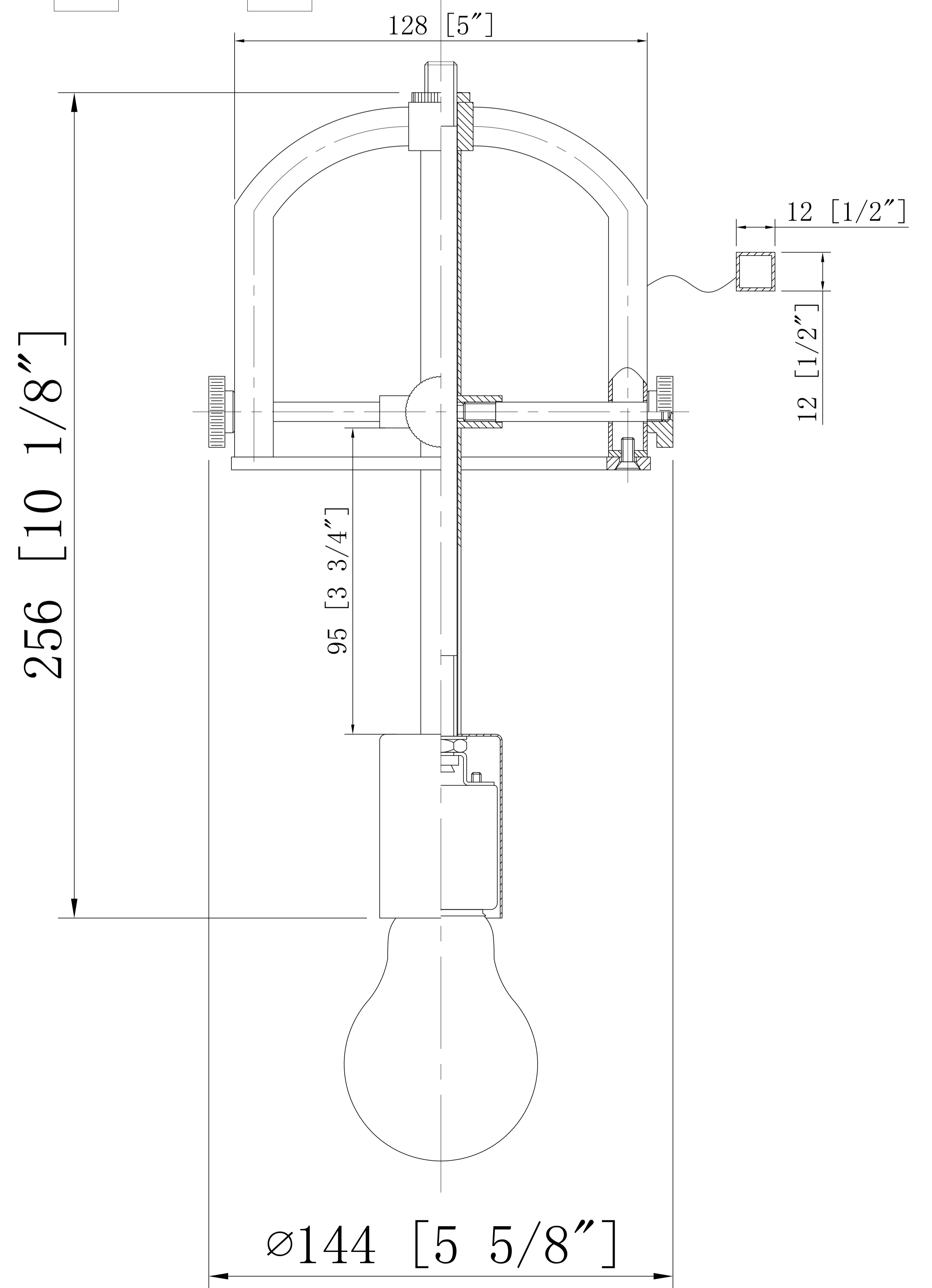
$\phi 10$ [$\phi 3/8$ "]



$\phi 12.8$ [$\phi 1/2$ "]

$\phi 12.8$ [$\phi 1/2$ "]

152 [6 "]



ITEM: 410-1SL