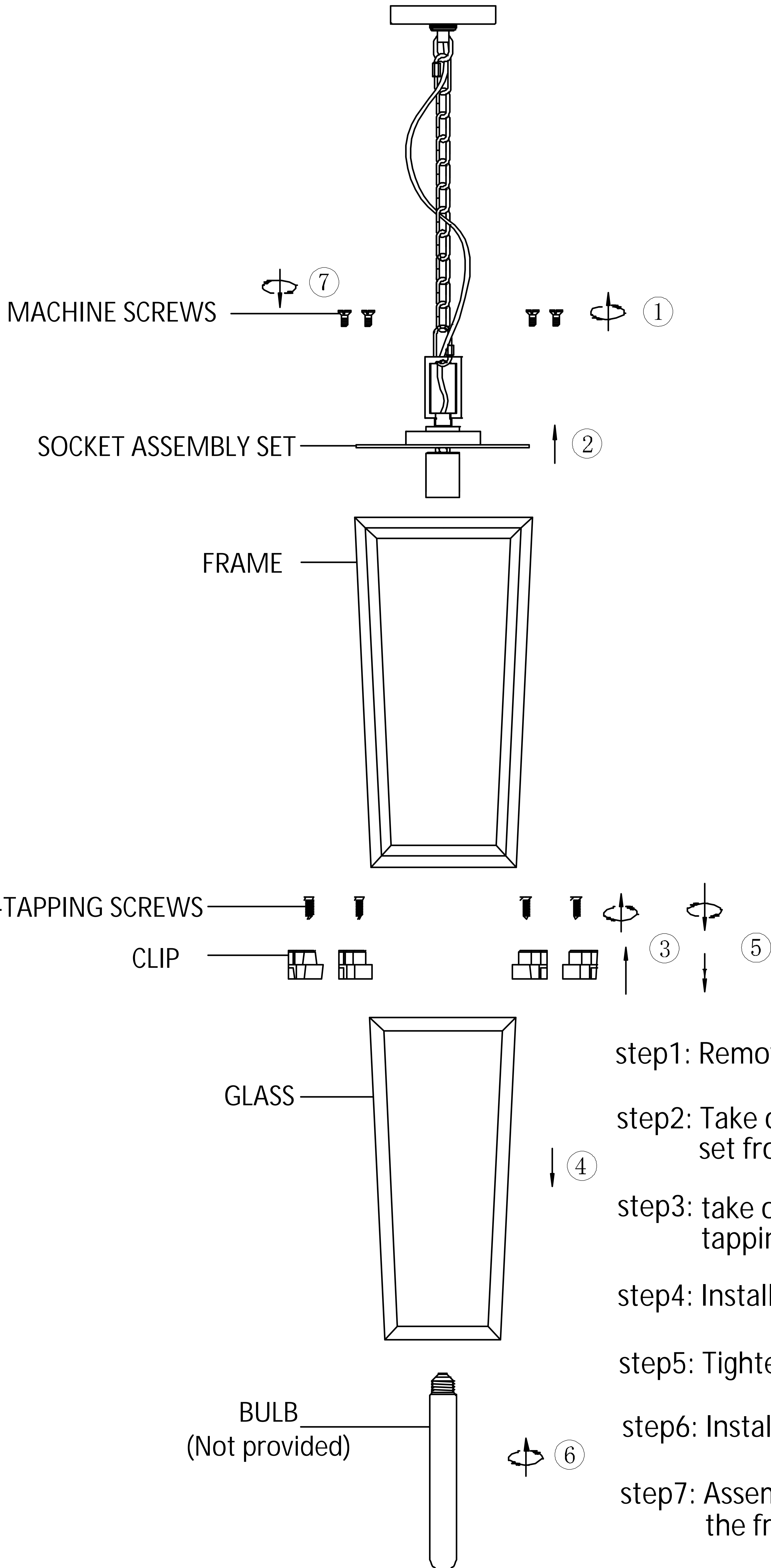


ITEM: 9952-1H-20

DESIGN COPYRIGHT – 11/18/2025
ALL RIGHTS RESERVED AND MAY NOT
BE DUPLICATED WITHOUT OUR
WRITTEN PERMISSION



step1: Remove the machine screws

step2: Take out the socket assembly set from the frame

step3: take out the clips by loosening the self-tapping screws.

step4: Install the glass panels into the frame

step5: Tighten 4 clips by self-tapping screws

step6: Install the bulb

step7: Assemble the socket assembly set and the frame with machine screws

STANDARD MOUNTING PLATE INSTALLATION INSTRUCTIONS

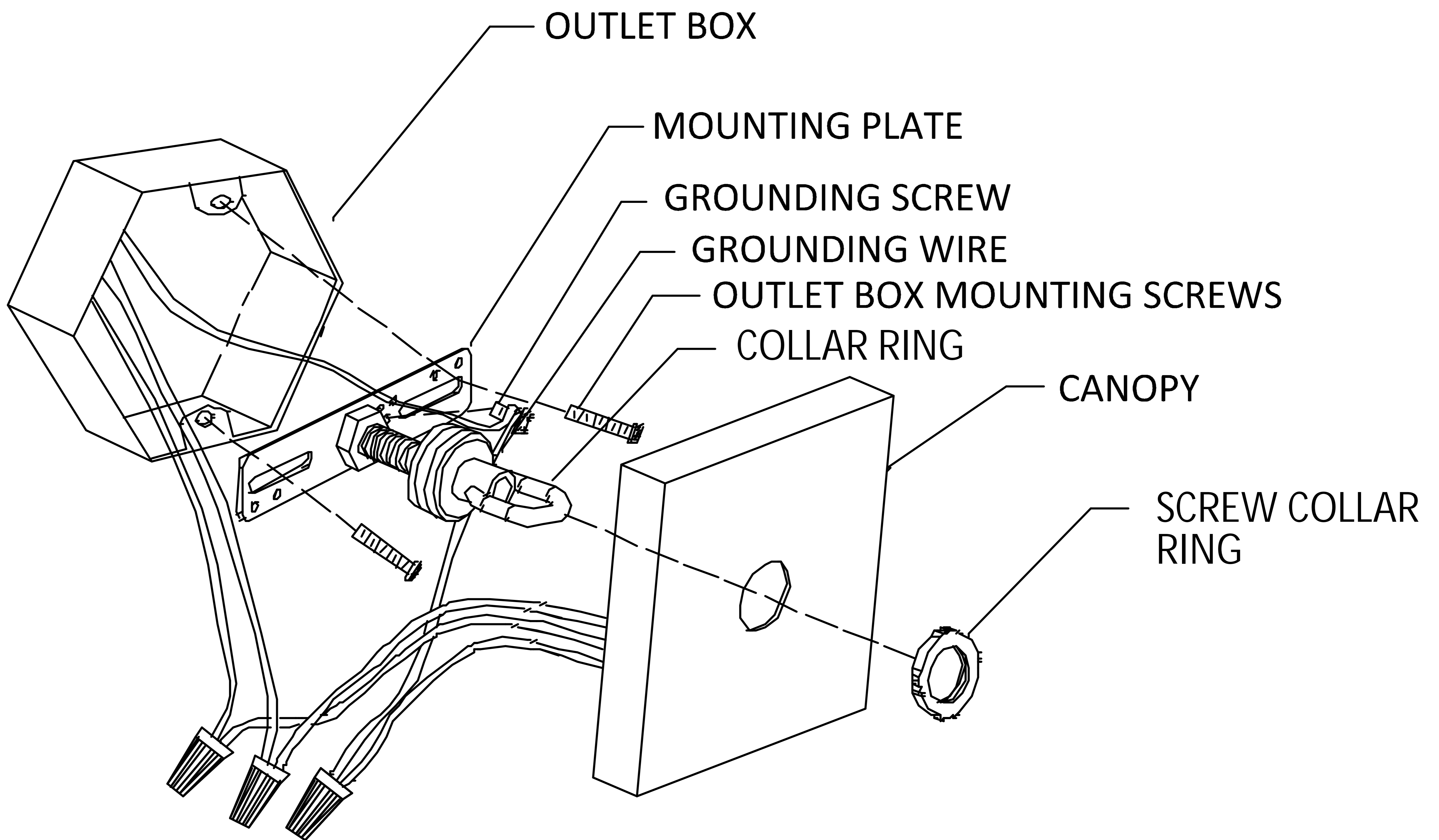
FOR YOUR SAFETY WARNING

Risk of Fire, Consult a qualified electrician to ensure correct branch circuit conductor.

Turn off the main power at the circuit breaker before installing the fixture in order to prevent possible shock.

General

All electrical connections must be in accordance with local and National Electrical Code (N.E.C.) standards. If you are unfamiliar with proper electrical wiring connections obtain the services of a qualified electrician. Remove the fixture and the mounting package from the box and make sure that no parts are missing by referencing the illustration.



CAUTION: DISCONNECT POWER DURING INSTALLATION

Note: before installation, please adjust the length of chain required to hang the fixture to the desired height.

- 1.) If you are replacing an existing fixture, disconnect and remove the old fixture. Expose the supply wiring from the outlet box.
- 2.) Attach the quick link to the chain loop on top of the fixture. Remove or add chain as desired at this time. Lace fixture wire and ground wire up through every other link of chain.
- 3.) Thread the screw collar loop onto the nipple and then thread nipple into the crossbar and secure with the hex nut.
- 4.) Attach crossbar to outlet box using two box screws provided with the outlet box. (Note: if the box screws with the outlet box are too short, use the screws provided in the mounting hardware package).
- 5.) Slide the screw collar nut, then the canopy onto the end of the chain. Fasten the end link of chain to the screw collar loop.
- 6.) Insert the fixture wire and the ground wire up through the nipple. Attach the white or ribbed fixture wire to the white supply wire in the outlet box using the twist-on wire connectors provided. Attach the black or smooth fixture wire to the black supply wire in the same manner. Attach the fixture and supply ground wires onto the cross bar using the green ground screw and wire connector.
- 7.) Tuck the wires carefully inside the outlet box. Next, raise the canopy to the ceiling and secure in place by screwing the screw collar nut onto the screw collar loop.
- 8.) Install a 100 watt maximum medium base bulb (not provided)