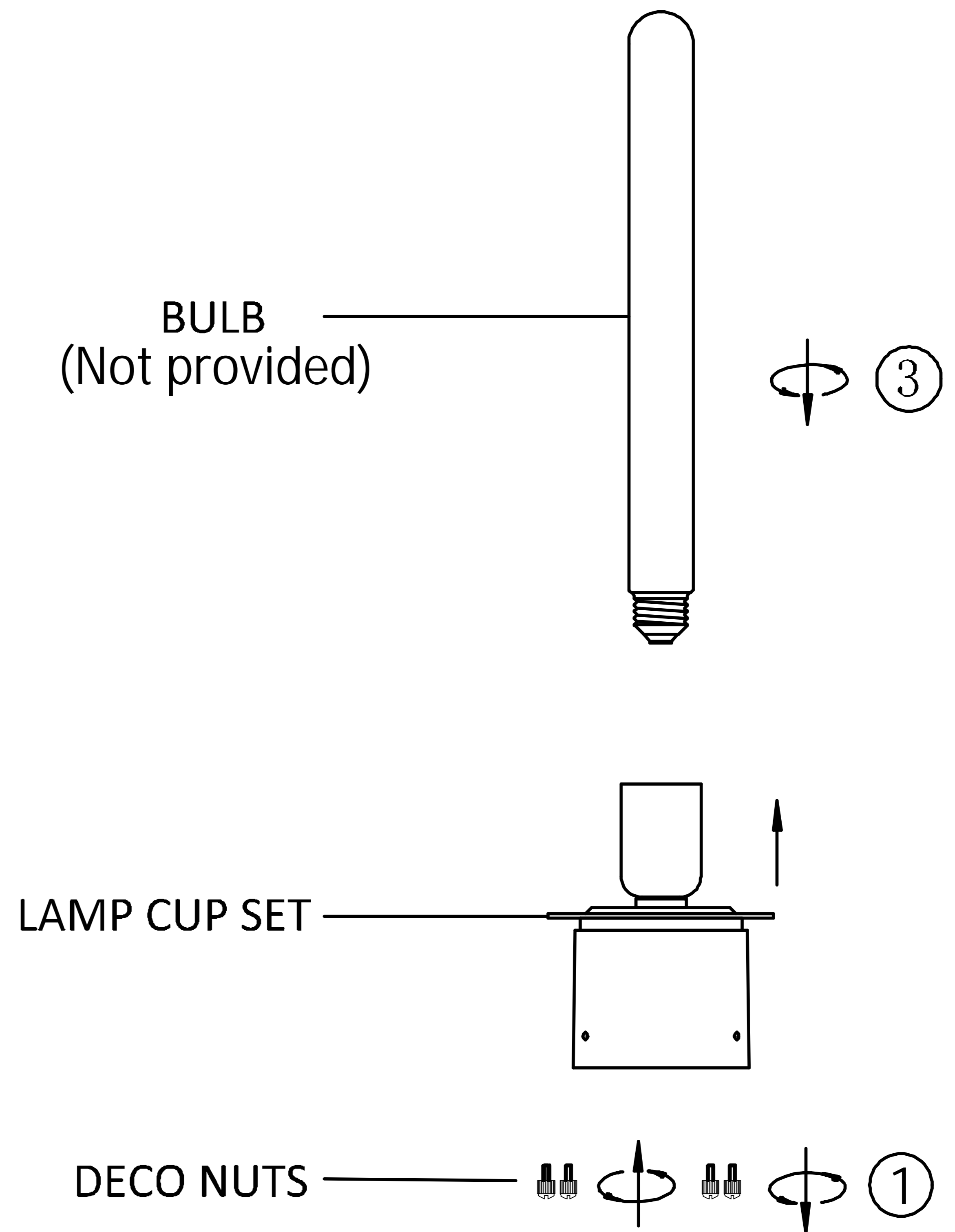
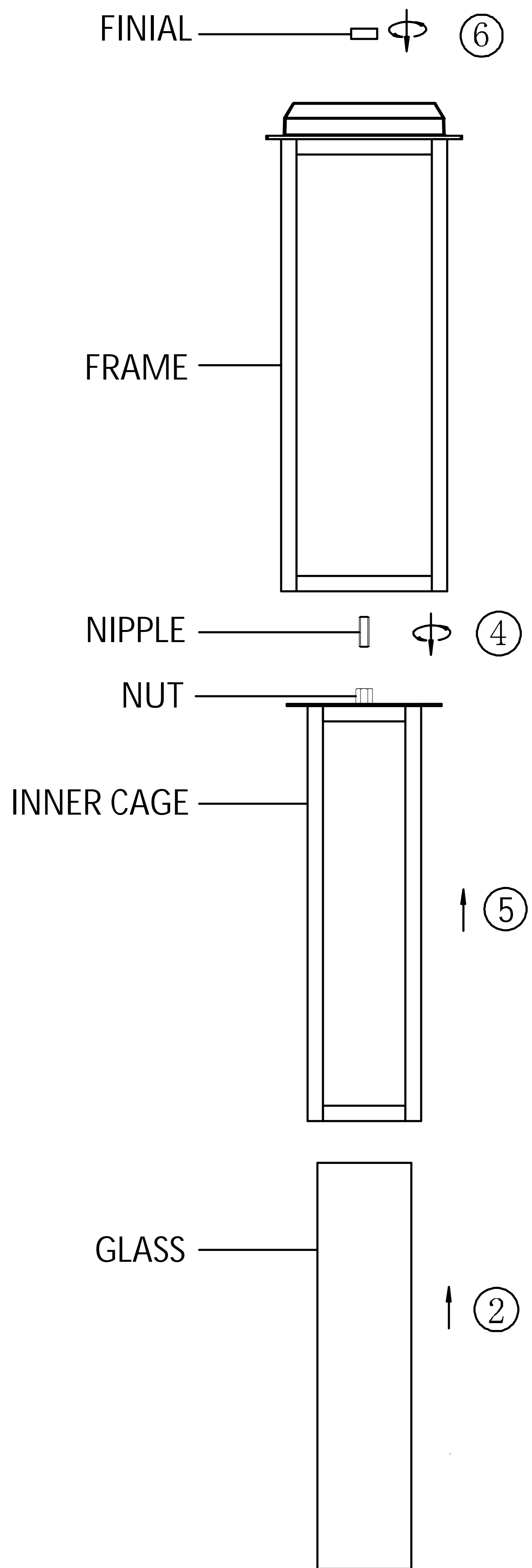


ITEM: 9951-1PLT-20

DESIGN COPYRIGHT – 11/18/2025
**ALL RIGHTS RESERVED AND MAY NOT
BE DUPLICATED WITHOUT OUR
WRITTEN PERMISSION**



step1 :
Unscrew the deco nuts from the lampcup set.

step2:
Install the glass into the inner cage. When it presses onto the eva foam, lower the glass so that it can be clamped in the upper and lower slots.

step3:
Install the bulb. Then simply connect the wires to check if the bulb lights up. If it is working, you can assemble the lamp cup set with the cage and secure it with the decorative nuts.

step4:
Install the nipple to the nut.

step5:
Install the inner cage into the frame, making sure to push it all the way down.

step6:
Tighten the nipple with finial.

STANDARD MOUNTING PLATE INSTALLATION INSTRUCTIONS

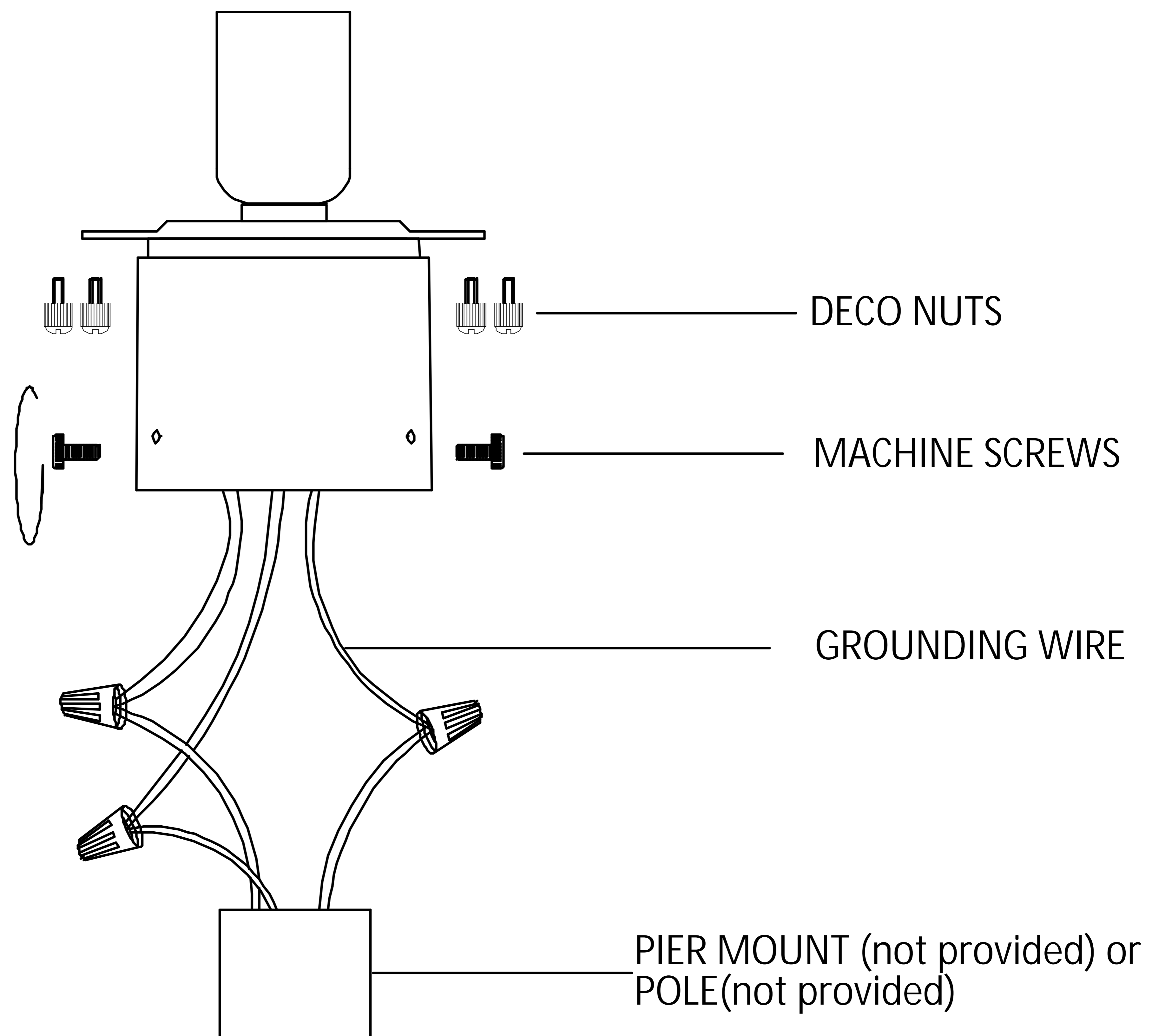
FOR YOUR SAFETY WARNING

Risk of Fire, Consult a qualified electrician to ensure correct branch circuit conductor.

Turn off the main power at the circuit breaker before installing the fixture in order to prevent possible shock.

General

All electrical connections must be in accordance with local and National Electrical Code (N.E.C.) standards. If you are unfamiliar with proper electrical wiring connections obtain the services of a qualified electrician. Remove the fixture and the mounting package from the box and make sure that no parts are missing by referencing the illustration.



CAUTION: DISCONNECT POWER DURING INSTALLATION

- 1.) If you are replacing an existing fixture, disconnect and remove the old fixture. Expose the supply wiring from the outlet box.
- 2.) Remove the machine screws on the lamp cup.
- 3.) Spread the electrical wires so that the black wires are on one side of the outlet box and the white wires are on the other side.
- 4.) Grounding instructions:
 - A.) On fixtures where mounting plate is provided with a green ground screw and two raised dimples, Wrap ground wire from outlet box around green ground screw and tighten.
 - B.) On fixtures where mounting plate is provided with a green ground wire attached. Connect mounting plate ground wire to ground wire from outlet box with wire connector. If fixture is provided with ground wire.
- 5.) To make electrical connections: Connect the white wire(s) from the fixture to the white wire of this outlet box. Connect the black wire(s) from the fixture to the black wire of the outlet box. NOTE: Black wire from outlet box may be red, round & smooth and/or have copper conductor. White wire from outlet box may be square & ridged and/or have a silver conductor. After wires are connected, tuck them carefully inside post base.
- 6.) Place fixture onto pier mount pole. Tight the machine screws