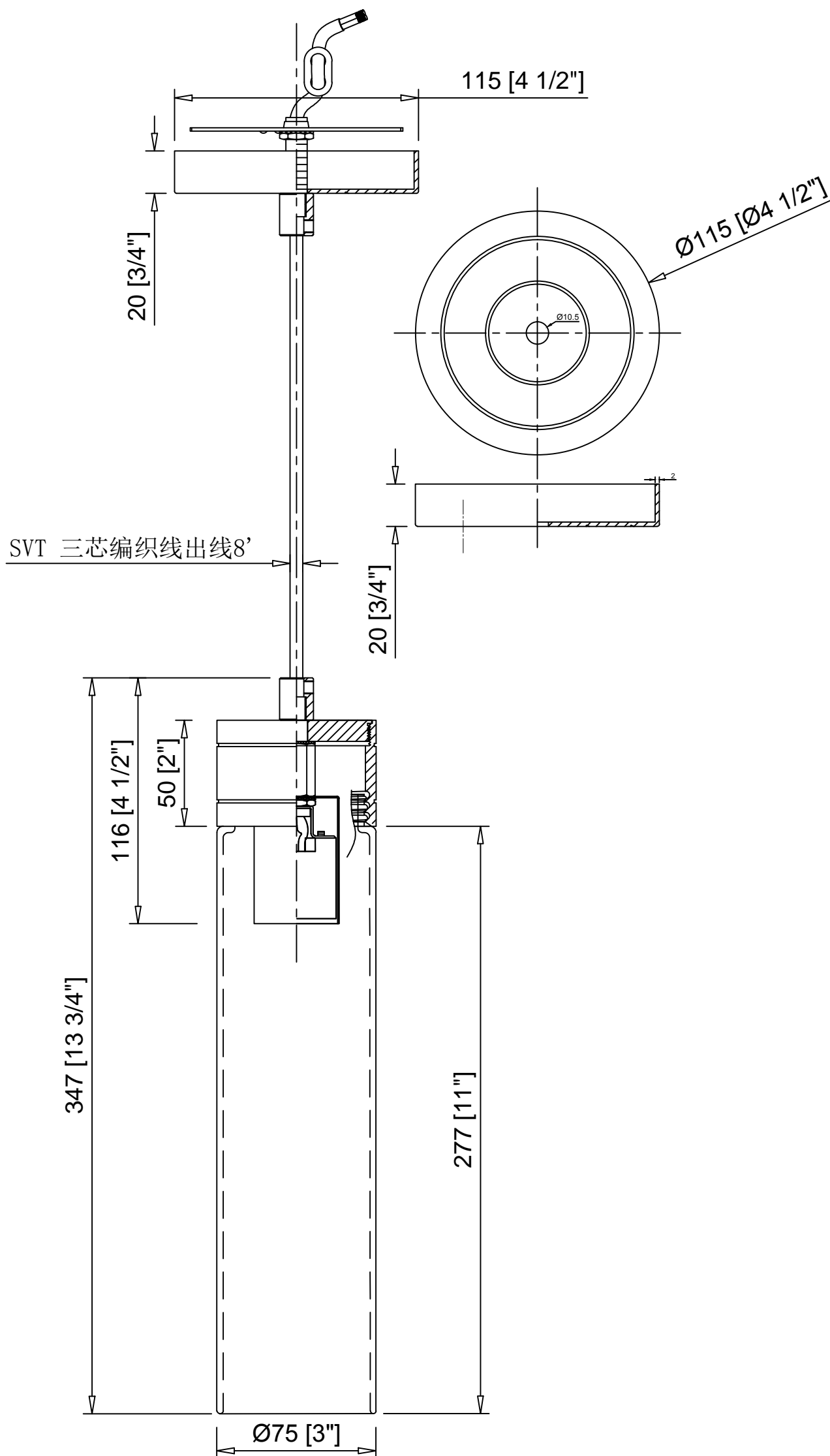


INNOVATIONS LIGHTING
 DESIGN COPYRIGHT - 6/12/2024
 ALL RIGHTS RESERVED AND MAY
 NOT BE DUPLICATED WITHOUT OUR
 WRITTEN PERMISSION



TITLE

1LT Pendant

ITEM NO: 617-1P-G617-11

REV. **A**

VENDOR: **Delong Lighting**