

Neoness, Chandelier, 50", Matte Black, Clear Glass

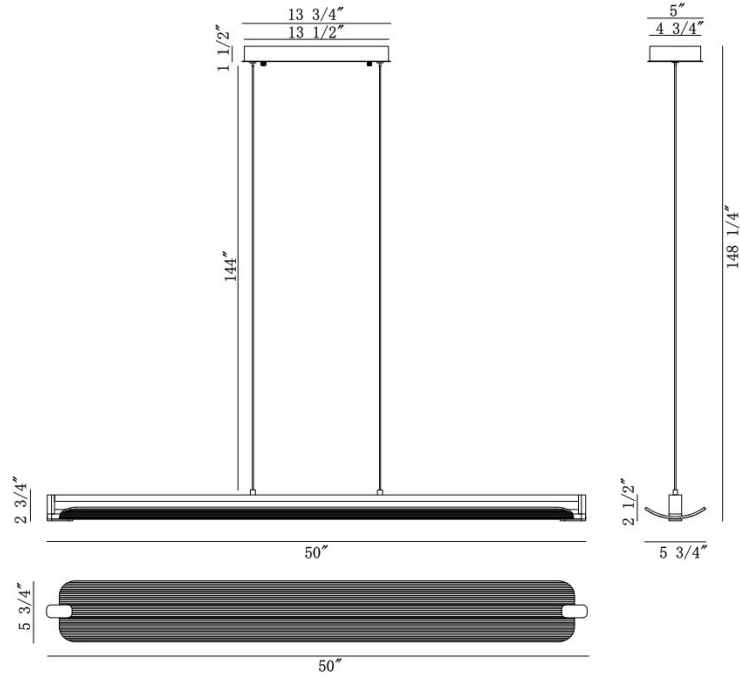
Item No.
50058-020

JOB NAME:

DATE:

TYPE:

COMMENTS:



LIGHT INFORMATION

Light Type Integrated LED

Bulb Socket N/A

Bulb Shape N/A

Bulb Included N/A

CRI 90

Delivered Lumens 1688

Colour Temperature (Kelvin) 3000K

Average Hours LED (L70) 52000

Number of Lights 1

Light Direction Multi

Dimming Method Triac/Elv

Output Voltage 18

Current Type DC

LIGHT INFORMATION (CONT'D.)

Light Wattage 28

Total Wattage 28

DIMENSIONS & WEIGHT

Product Width (In) 5.75

Product Height (In) 2.75

Product Ext (In)

Product Diameter (In)

Product Weight (Lbs) 11.2

Product Length (In) 50

INSTALLATION

Mounting Type J-Box

Mounting Location Rating Dry

PRODUCT FINISH

Finish: Matte Black

SHADE FINISH

Shade Finish: Clear

PRODUCT FEATURES