

INSTALLATION INSTRUCTION

155-LED PENDANT

PD-15547/PD-15560

dweLED

WARNING

IMPORTANT: NEVER attempt any work without shutting off the electricity.

- Read all instructions before installing.
- System is intended for installation by a qualified electrician in accordance with the National Electrical Code and local regulations.
- Go to the main fuse box, or circuit breaker. Place the main power switch in the "OFF" position and unscrew the fuse(s) or switch "OFF" the circuit breaker switch(es) that control the power to the fixture or room that you are working on.
- Place the wall switch in the "OFF" position.

CAUTION

- All parts must be used as indicated in these instructions. Do not substitute any parts, leave parts out, or use any parts that are worn out or broken. Failure to follow this instruction could invalidate the ETL/CETL listing of this fixture.

CAUTION When handling the fixture, do not apply pressure to the LEDs. Hold the fixture by the base only.

AVERTISSEMENT

IMPORTANT : Coupez l'électricité avant TOUTE manipulation.

- Lisez toutes les instructions avant d'installer.
- Système est destiné à être installé par un électricien qualifié en conformité avec le code national de l'électricité et les règlements locaux.
- Accédez au panneau central de disjoncteurs ou de fusibles de votre demeure et placez l'interrupteur principal en position d'arrêt (« OFF »).
- Placez l'interrupteur mural en position d'arrêt (« OFF »).

MISE EN GARDE

- Toutes les pièces doivent être utilisées tel qu'il est indiqué dans ces instructions. Ne remplacez pas les pièces, n'en laissez pas de côté et ne les utilisez pas si elles sont usées ou brisées. Le non-respect de ces instructions peut annuler l'homologation ETL/CETL du luminaire.

MISE EN GARDE

Ors de la manipulation de l'appareil, ne pas appliquer de pression à la LED, tenir l'appareil par la seule base.

ADVERTENCIA

IMPORTANTE: NUNCA intente hacer trabajos sin desconectar el suministro eléctrico.

- Lea y comprenda todas las instrucciones e ilustraciones por completo antes de proceder con el ensamblaje e instalación de esta lámpara.
- Sistema está diseñado para ser instalado por un electricista calificado, de acuerdo con el código eléctrico nacional y las normas locales.
- Diríjase a la caja de fusibles o a la caja del interruptor de circuito principal en su hogar. Coloque el interruptor de alimentación principal en la posición "OFF" (APAGADO).
- Coloque el interruptor de la pared en la posición "OFF" (APAGADO).

PRECAUCIÓN

- Todas las piezas deben usarse como lo indican estas instrucciones. No reemplace las piezas, no omita piezas durante la instalación ni utilice piezas gastadas o rotas. El incumplimiento de esta indicación podría invalidar la calificación ETL/CETL esta lámpara.

PRECAUCIÓN Al manipular el aparato, no aplique presión a los LED, mantenga el aparato en la base sólo.

Hardware

A



Wire Connector(P3)
Qty: 4PCS

B



Wire Connector(P1)
Qty: 4PCS

C



Mounting Screw
Qty: 1 Extra

D



Anchor screw
Qty: 4PCS

E



Plastic anchor
Qty: 4PCS

F



Junction Box Screw
QTY:3pcs

wacighting.com
Phone (800) 526.2588
Fax (800) 526.2585

Headquarters, East Manufacturing Facility
44 Harbor Park Drive
Port Washington, NY 11050

South East Manufacturing Facility
1600 Distribution Ct
Lithia Springs, GA 30122

Central Manufacturing Facility
1700 South J Elmer Freeway, Ste 100
Cedar Hill, TX 75104

West Manufacturing Facility
1750 S Archibald Ave
Ontario, CA 91761

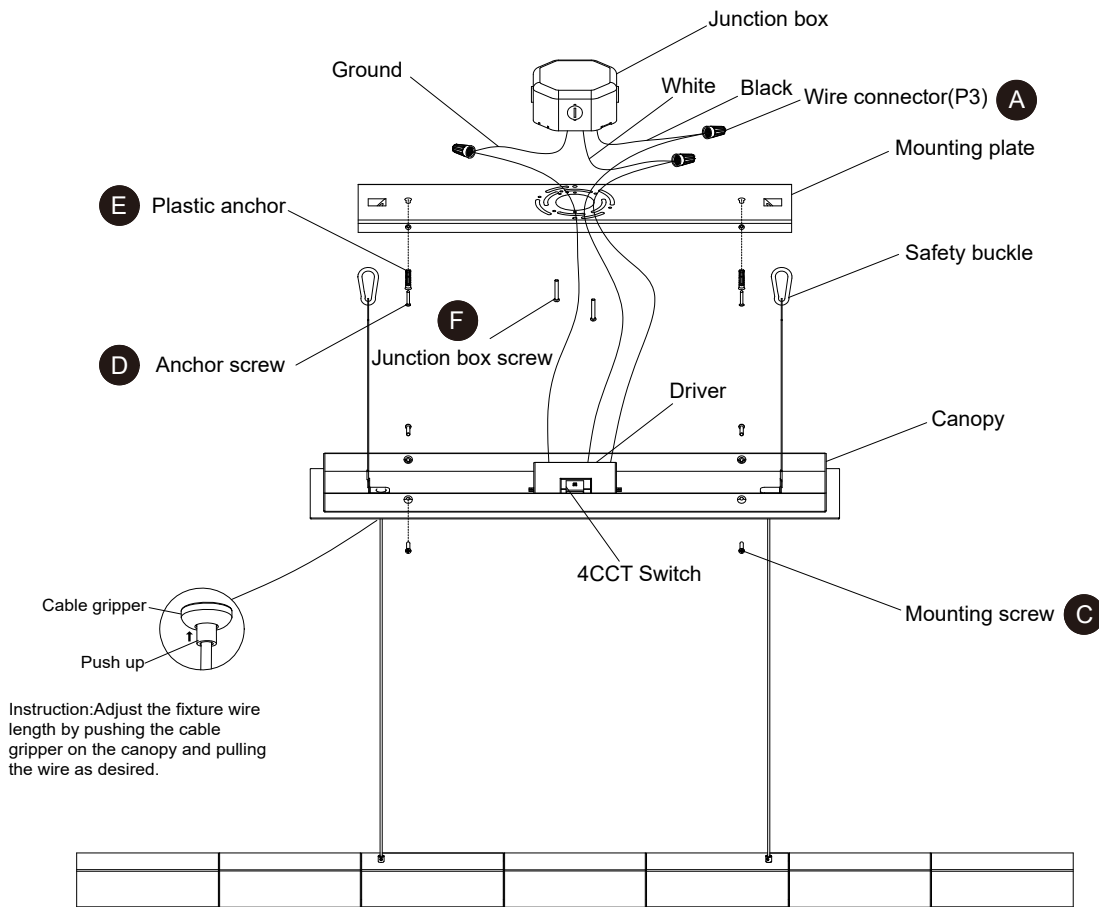
INSTALLATION INSTRUCTION

155-LED PENDANT

PD-15547/PD-15560

dweLED

Fig.1



PREPARATION

1. Shut off the power at the circuit breaker and remove existing fixture including the crossbar.
2. Carefully unpack your new fixture and lay out all the parts on a clear area. Be careful not to lose any parts necessary for installation.

MOUNTING THE FIXTURE(FIG.1)(FIG.4)

3. Take the fixture out of the package. Remove the mounting screws (C) and remove the mounting plate from the canopy.
4. Drill the holes into the ceiling at the keyhole of the mounting plate. (Fig.4) Insert the plastic anchors (E) into the holes just drilled.
5. Secure the mounting plate to the junction box with the junction box screws.(F) Lock the anchor screws (D) into the plastic anchors (E). Hang the safety buckle on the mounting plate.

- Note:** (i)Using any other non-original-manufacturer provide junction box screw may result in safety issue;
(ii)The side of the mounting plate marked"GND"must face out.

CONNECTING THE WIRES(FIG.2)(FIG.3)

6. Adjust the length of the suspension line. Put the excess wires into the canopy. Connect the driver's output wires with the fixture's and CCT switch's wires as shown in Fig.3. Make sure that all wire connectors(B) are secured.
7. The fixture has four color temperature. Adjust the color temperature switch to corresponding position as needed.
Note: The power must be off when adjusting the color temperature.
8. Connect the driver's input wires to junction box wires as shown in Fig.2, making sure that all wire connectors (A) are secured. If your outlet box has a green or bare copper ground wire, connect the fixture's ground wire to it. Otherwise, connect the fixture's ground wire directly to the mounting plate using the screw provided. After all the wires are connected, tuck them carefully inside the junction box.

wacighting.com
Phone (800) 526.2588
Fax (800) 526.2585

Headquarters, East Manufacturing Facility
44 Harbor Park Drive
Port Washington, NY 11050

South East Manufacturing Facility
1600 Distribution Ct
Lithia Springs, GA 30122

Central Manufacturing Facility
1700 South J Elmer Freeway, Ste 100
Cedar Hill, TX 75104

West Manufacturing Facility
1750 S Archibald Ave
Ontario, CA 91761

INSTALLATION INSTRUCTION

155-LED PENDANT

PD-15547/PD-15560



COMPLETING INSTALLATION(FIG.1)

9. Align the holes of the canopy with the screw holes for mounting plate. Fasten the canopy to the mounting plate using the mounting screws. (C)

NOTE: DIMMING WIRING INFORMATION (FIG. 3)

10. This fixture features electronic low voltage (ELV or TRIAC) or 0-10V dimming capabilities. See notes below for specific dimming wires information.

1. To utilize ELV or TRIAC dimming: use wire purple (Dim+), pink or gray (Dim-), black (Hot), white (Neutral) and bare copper ground wire (ground).
2. To utilize 0-10V dimming: use wire purple (Dim+), pink or gray (Dim-), black (Hot), white (Neutral) and bare copper ground wire (ground).

NOTE: Make sure to connect 0-10V prior to power-up the fixture in order to allow the 0-10V dimming to function properly.

Fig.2 Wiring

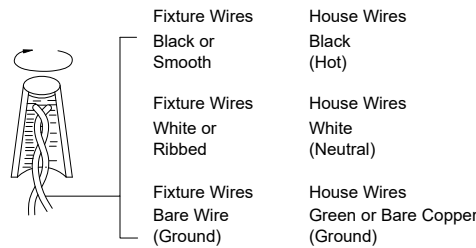


Fig.3 Driver Wiring

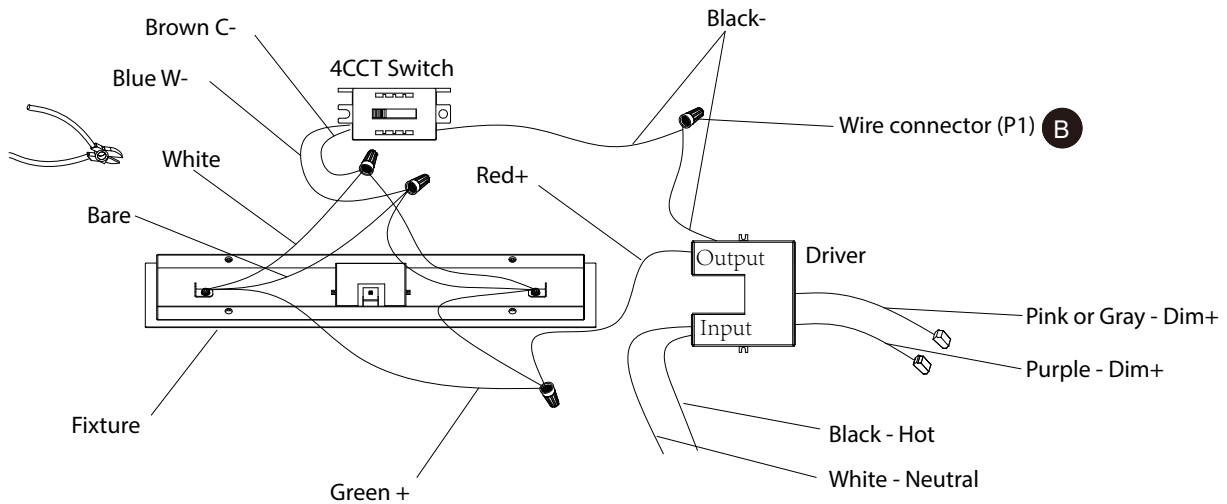


Fig.4 Mounting plate

