

# INSTALLATION INSTRUCTIONS

## 829- Wall Sconce

WS-82919/WS-82925/WS-82937/WS-82950/WS-82962/WS-82974/WS-82998

**dweLED**  
by WAC Lighting

**CAUTION: TO PREVENT ELECTRICAL SHOCK, ENSURE ELECTRICITY HAS BEEN TURNED OFF AT THE CIRCUIT BREAKER BEFORE BEGINNING.**

- Read all instructions before installing.
- System is intended for installation by a licensed electrician in accordance with the National Electrical Code (NEC) and local regulations.
- When handling the fixture, do not apply pressure to the LEDs. Hold the fixture by the base only.
- Retain installation instructions for future maintenance reference.

**WARNING:**All parts must be used as indicated in these instructions. This product is designed for use only with the supplied parts and/or accessories designated for use by WAC Lighting/dweLED/Modern Forms. Substitution of parts or accessories not designated for use with this product by WAC Lighting/dweLED/Modern Forms could result in personal injury or property damage, and will void the warranty. Contact an authorized dealer or the manufacturer if any parts are damaged or missing.

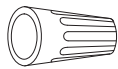
**MISE EN GARDE:**Pour éviter tout choc électrique, assurez-vous que le disjoncteur soit mis hors tension avant de commencer.

- Lisez toutes les instructions avant l'installation.
- Le système doit être installé par un électricien licencié conformément au code national de l'électricité (NEC), et également aux règlements locaux.
- Lors de la manipulation du luminaire, n'appuyez pas sur les LED. Tenez-le uniquement par la base.

**ATTENTION:**Toutes les pièces doivent être utilisées comme indiqué dans ces instructions. Ce produit est conçu pour être utilisé seulement avec les pièces et/ou accessoires fournis pour être utilisés avec les produits WAC Lighting/dweLED/Modern Forms. Remplacer des pièces ou accessoires non conçus pour ce produit WAC Lighting/dweLED/Modern Forms pourrait causer des dommages corporels ou matériels et pourrait également causer l'annulation de la garantie. Veuillez contacter un revendeur autorisé ou le fabricant si des pièces manquent ou sont endommagées.

### HARDWARE

**A**



Wire Connector  
Qty: 3pcs+1 Extra

**B**



Mounting Screw  
Qty:4pcs+1 Extra

**C**



Silicon Gasket  
Qty: 2pcs

**D**



Plastic Anchor  
Qty: 2pcs+1 Extra

**E**



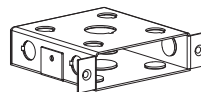
Wood Screw  
Qty: 4pcs+1 Extra

**F**



Decorative Plate  
Qty: 1PC

**G**



Slim Junction Box  
Qty: 1 PC

dweLED.com  
Phone (800) 526.2588  
Fax (800) 526.2585

Headquarters/Eastern Distribution Center  
44 Harbor Park Drive  
Port Washington, NY 11050

Central Distribution Center  
1600 Distribution Ct  
Lithia Springs, GA 30122

Western Distribution Center  
1750 Archibald Avenue  
Ontario, CA 91760

# INSTALLATION INSTRUCTIONS

## 829- Wall Sconce

WS-82919/WS-82925/WS-82937/WS-82950/WS-82962/WS-82974/WS-82998

**dweLED**  
by WAC Lighting

FIG.1

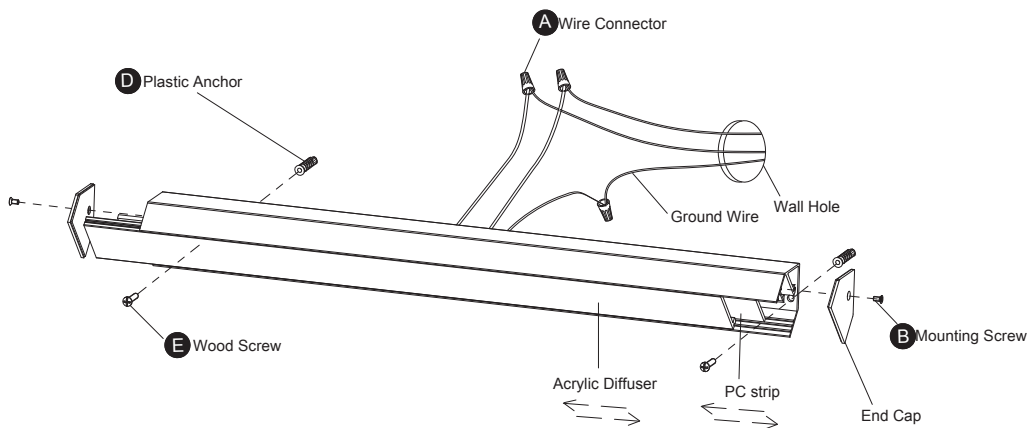


FIG.2

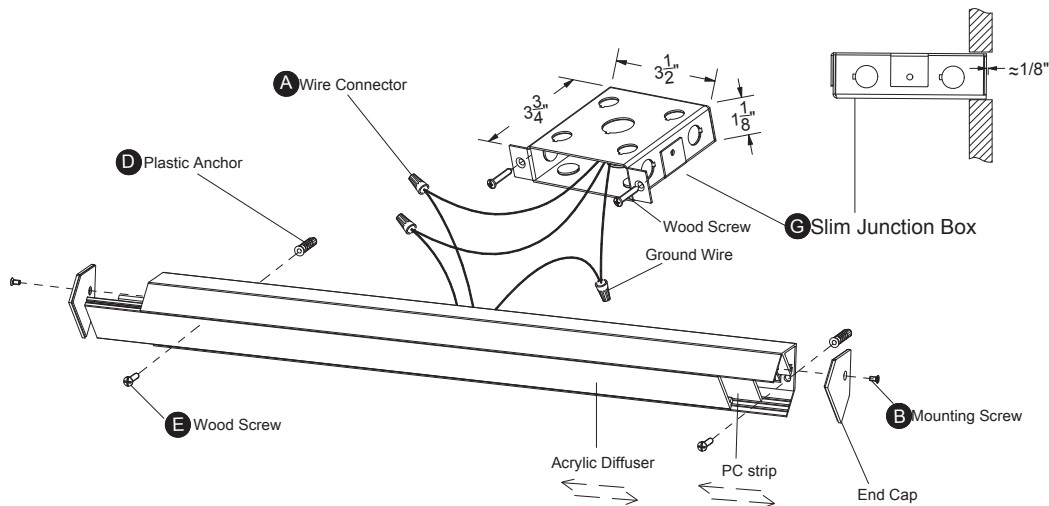
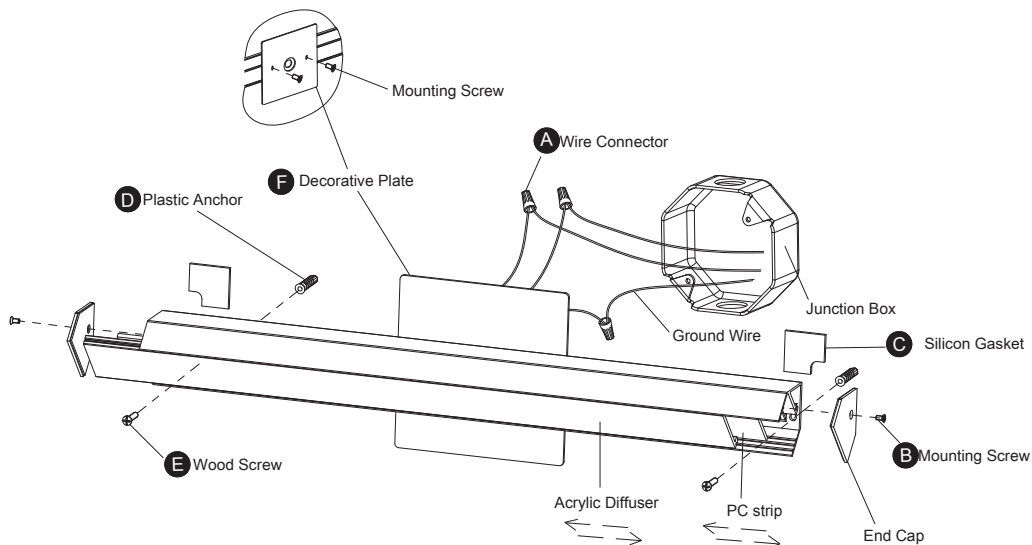


FIG.3



dweLED.com  
Phone (800) 526.2588  
Fax (800) 526.2585

Headquarters/Eastern Distribution Center  
44 Harbor Park Drive  
Port Washington, NY 11050

Central Distribution Center  
1600 Distribution Ct  
Lithia Springs, GA 30122

Western Distribution Center  
1750 Archibald Avenue  
Ontario, CA 91760

# INSTALLATION INSTRUCTIONS

## 829- Wall Sconce

WS-82919/WS-82925/WS-82937/WS-82950/WS-82962/WS-82974/WS-82998

**dweLED**  
by WAC Lighting

### PREPARATION

1. Shut off the power at the circuit breaker and remove existing fixture, including the crossbar.
2. Carefully unpack your new fixture and lay out all the parts on a clear area. Be careful not to lose any small parts necessary for installation.

### MOUNT WITHOUT A JUNCTION BOX (Fig. 1)

1. Drill a fixture mounting hole according to installation location (Fig. 5), insert plastic anchor (D).
2. Remove the mounting screw (B) and the end cap from the fixture.
3. Drill a small access hole in the wall behind the fixture and pull the house wires through the wall.
4. Connect the fixture's wires to house wires as shown (Fig.4). Make sure that all wire connectors (A) are secure. If your outlet box has a green or bare copper ground wire, connect the fixture's ground wire to it. Otherwise, tuck the fixture's ground wire directly to the fixture. After wires are connected, tuck them carefully inside the wall hole.
5. Slide acrylic diffuser and PC strip slightly out of the way to review the plastic anchor location on the back, then fasten the fixture to the wall using wood screw (E).
6. Secure the end cap to the fixture using mounting screw (B) to seal the acrylic diffuser.

### MOUNT ON SLIM JUNCTION BOX (Fig. 2)

1. Replace or install new slim junction box if needed. Use the two wood screws (E) provided to secure the slim junction box (G) to wall.  
**NOTE:** The junction box must be recessed about 1/8" into the surface of the wall.
2. Follow steps 2-5 from "MOUNT WITHOUT A JUNCTION BOX" to complete installation.  
**NOTE:** It is not necessary to drill access hole in the wall.

### MOUNT ON JUNCTION BOX (Fig. 3)

1. Secure the mounting screw and decorative plate (F) to the fixture, then replace the existing silicon gasket with the supplied silicon gasket (C).
2. Drill fixture mounting hole according to installation locations (Fig. 5), insert plastic anchor (D).
3. Remove the mounting screw (B) and the end cap from the fixture.
4. Connect the fixture's wires to house wires as shown in Fig.4, making sure that all wire connectors (A) are secure. If your outlet box has a green or bare copper ground wire, connect the fixture's ground wire to it. Otherwise, tuck the fixture's ground wire directly to the fixture. After wires are connected, tuck them carefully inside the junction box.
5. Slide acrylic diffuser and PC strip slightly out of the way to review the plastic anchor location on the back, then fasten the fixture to the wall using wood screw (E), make sure to align the decorative plate to adequately cover the junction box wall opening.
6. Secure the end cap to the fixture using mounting screw (B) to seal the acrylic diffuser.

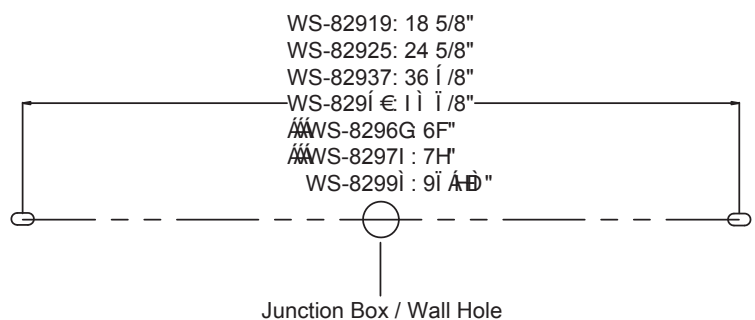
FIG. 4 Wiring



Fixture Wires	House Wires
Black or Smooth	Black (Hot)
White or Ribbed	White (Neutral)
Bare wire (Ground)	Green or Bare Copper (Ground)

Fig. 5

### Installation Location



dweLED.com  
Phone (800) 526.2588  
Fax (800) 526.2585

Headquarters/Eastern Distribution Center  
44 Harbor Park Drive  
Port Washington, NY 11050

Central Distribution Center  
1600 Distribution Ct  
Lithia Springs, GA 30122

Western Distribution Center  
1750 Archibald Avenue  
Ontario, CA 91760