

# INSTALLATION INSTRUCTION

## Manhattan - dwelLED™

WS-13115, WS-13122

# WAC LIGHTING

Responsible Lighting®

### WARNING

IMPORTANT: NEVER attempt any work without shutting off the electricity.

- Read all instructions before installing.
- System is intended for installation by a qualified electrician in accordance with the National Electrical Code and local regulations.
- Go to the main fuse box, or circuit breaker. Place the main power switch in the "OFF" position and unscrew the fuse(s) or switch "OFF" the circuit breaker switch(es) that control the power to the fixture or room that you are working on.
- Place the wall switch in the "OFF" position.

### CAUTION

- All parts must be used as indicated in these instructions. Do not substitute any parts, leave parts out, or use any parts that are worn out or broken. Failure to follow this instruction could invalidate the ETL/CETL listing of this fixture. CAUTION When handling the fixture, do not apply pressure to the LEDs. Hold the fixture by the base only.

### AVERTISSEMENT

IMPORTANT : Coupez l'électricité avant TOUTE manipulation.

- Lisez toutes les instructions avant d'installer.
- Système est destiné à être installé par un électricien qualifié en conformité avec le code national de l'électricité et les règlements locaux.
- Accédez au panneau central de disjoncteurs ou de fusibles de votre demeure et placez l'interrupteur principal en position d'arrêt (« OFF »).
- Placez l'interrupteur mural en position d'arrêt (« OFF »).

### MISE EN GARDE

- Toutes les pièces doivent être utilisées tel qu'il est indiqué dans ces instructions. Ne remplacez pas les pièces, n'en laissez pas de côté et ne les utilisez pas si elles sont usées ou brisées. Le non-respect de ces instructions peut annuler l'homologation ETL/CETL du luminaire. MISE EN GARDE Ors de la manipulation de l'appareil, ne pas appliquer de pression à la LED, tenir l'appareil par la seule base.

### ADVERTENCIA

IMPORTANTE: NUNCA intente hacer trabajos sin desconectar el suministro eléctrico.

- Lea y comprenda todas las instrucciones e ilustraciones por completo antes de proceder con el ensamblaje e instalación de esta lámpara.
- Sistema está diseñado para ser instalado por un electricista calificado, de acuerdo con el código eléctrico nacional y las normas locales.
- Diríjase a la caja de fusibles o a la caja del interruptor de circuito principal en su hogar. Coloque el interruptor de alimentación principal en la posición "OFF" (APAGADO).
- Coloque el interruptor de la pared en la posición "OFF" (APAGADO).

### PRECAUCIÓN

- Todas las piezas deben usarse como lo indican estas instrucciones. No reemplace las piezas, no omita piezas durante la instalación ni utilice piezas gastadas o rotas. El incumplimiento de esta indicación podría invalidar la calificación ETL/CETL esta lámpara. PRECAUCIÓN Al manipular el aparato, no aplique presión a los LED, mantenga el aparato en la base sólo.

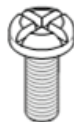
### HARDWARE

B1



Wire Connector  
Qty: 5

A1



Junction Box Screw  
Qty: 2 + 1 Extra

H1



Mounting Screw  
Qty: 2 + 1 Extra

H1

H1

H1

### WAC Lighting

www.waclighting.com

Phone (800) 526.2588 • Fax (800) 526.2585

### Headquarters/Eastern Distribution Center

44 Harbor Park Drive • Port Washington, NY 11050

Phone (516) 515.5000 • Fax (516) 515.5050

### Western Distribution Center

1750 Archibald Ave • Ontario, CA 91761

Phone (800) 526.2588 • Fax (800) 526.2585



# INSTALLATION INSTRUCTION

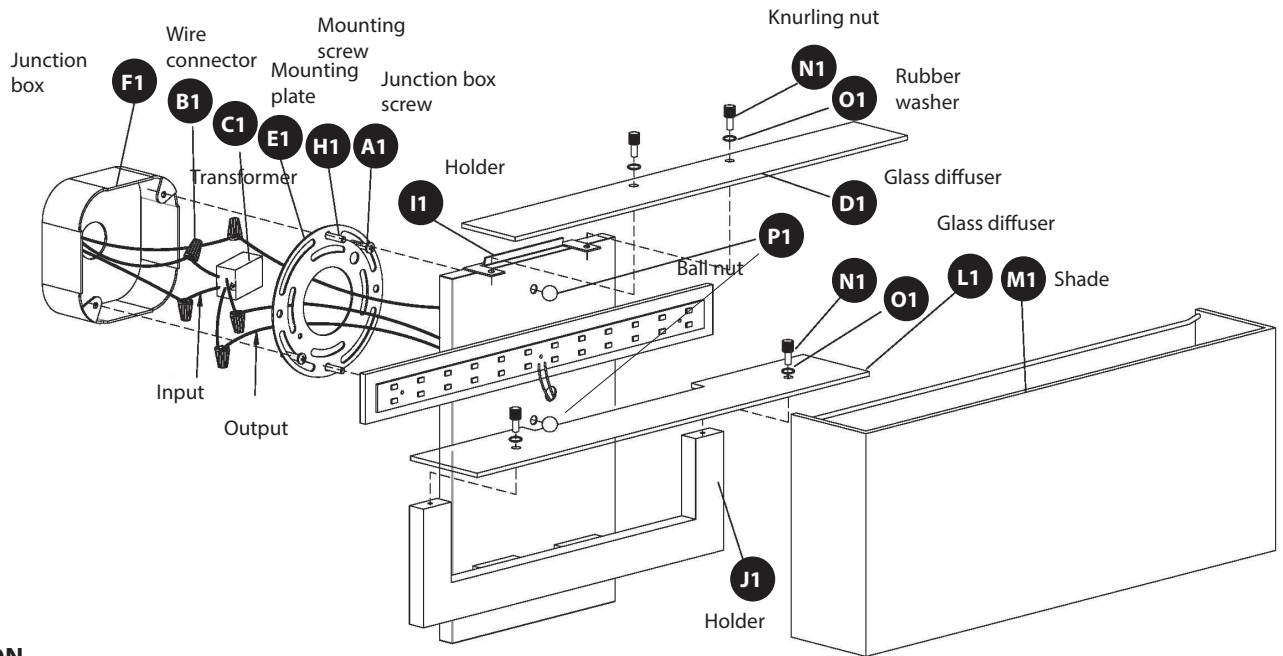
## Manhattan - dwelLED™

WS-13115, WS-13122

# WAC LIGHTING

Responsible Lighting®

**FIG 1**



### PREPARATION

1. Shut off the power at the circuit breaker and remove existing fixture, including the mounting hardware.
2. Carefully unpack your new fixture and lay out all the parts on a clear area. Be careful not to lose any small parts necessary for installation.

### MOUNTING THE FIXTURE (Fig. 1)

3. Remove the ball nuts (P1) from the fixture.
4. Place the bottom glass diffuser (L1) onto the holder (J1), secure using the knurling nuts (N1) and the rubber washers (O1).
5. Place the top glass diffuser (D1) onto the holder (I1), secure using the knurling nuts (N1) and the rubber washers (O1).
6. Connect the transformer input wires to junction box wires as shown in Fig. 2, making sure that all wire connectors (B1) are secured. Fixture and junction box ground wires should be connected to mounting plate using green screw provided. After wires are connected, tuck them carefully inside the junction box.

**\*Requires Transformer (C1) to be recessed within the junction box!**

7. Connect transformer output wires to the fixture wires Red (+) to Red (+), Black (-) to Black (-). Ensure wire connectors are secure.
8. Adjust the mounting screws (H1) length to fit the ball nuts (P1) installation. Secure the mounting plate (E1) to the junction box (F1) using junction box screws (A1). The side of the mounting plate marked "GND" must face out.

### MOUNTING THE FIXTURE (Fig. 1)

9. Place the fixture over the mounting plate (E1), secure using the ball nuts (P1).
10. Place the fabric shade (M1) onto the holder (I1) and center horizontally.

### 100%-10% DIMMING

### COMPATIBLE WITH THE FOLLOWING ELECTRONIC

### LOW VOLTAGE (ELV) DIMMERS

Brand	Model
LUTRON	SELV-300P
LUTRON	DVELV-300P
LEVITON	VPE04

**FIG.2**

#### Fixture Wires

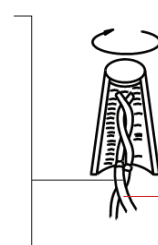
Black or Smooth

#### Fixture Wires

White or Ribbed

#### Fixture Wires

Bare Copper (Ground)



#### House Wires

Black (Hot)

#### House Wires

White (Neutral)

#### House Wires

Green or Bare Copper (Ground)

WAC Lighting

www.waclighting.com

Phone (800) 526.2588 • Fax (800) 526.2585

Headquarters/Eastern Distribution Center

44 Harbor Park Drive • Port Washington, NY 11050

Phone (516) 515.5000 • Fax (516) 515.5050

Western Distribution Center

1750 Archibald Ave • Ontario, CA 91761

Phone (800) 526.2588 • Fax (800) 526.2585

