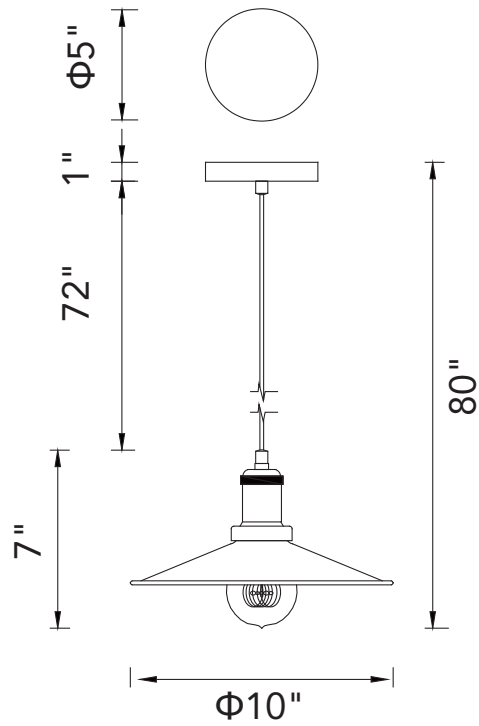




PROJECT: \_\_\_\_\_  
 FIXTURE TYPE: \_\_\_\_\_  
 LOCATION: \_\_\_\_\_  
 CONTACT/PHONE: \_\_\_\_\_



|            |               |
|------------|---------------|
| Item       | 9605P10-1-101 |
| Collection | BRAVE         |
| Category   | Mini Pendant  |
| Finish     | Black         |
| Glass      | -----         |
| Crystal    | -----         |
| Acrylic    | -----         |

|                       |                 |
|-----------------------|-----------------|
| Shade Color           | -----           |
| Min Assembled Height  | 9"              |
| Max Assembled Height  | 80"             |
| Width                 | 10"             |
| Length                | -----           |
| Extension Wall Mounts | -----           |
| Input                 | 120V AC,60HZ,AC |

|              |         |
|--------------|---------|
| Lumens       | -----   |
| Light Source | E26     |
| Bulb Info.   | 1x60W   |
| Included     | -----   |
| Dimmable     | Yes     |
| Colour Temp  | -----   |
| Weight       | 3.6 Lbs |

CWI Lighting  
 2775 Broadway  
 Buffalo, NY 14227  
 USA

CWI Lighting  
 140 Steelcase Rd. W.  
 Markham ON. L3R 3J9  
 Canada

Dallas Showroom  
 Showroom #: 4707  
 2100 N. Stemmons Frwy.  
 Dallas, TX 75207

Email: [info@cwilighting.com](mailto:info@cwilighting.com)  
 Toll: 1-877-564-6034  
[www.cwilighting.com](http://www.cwilighting.com)

