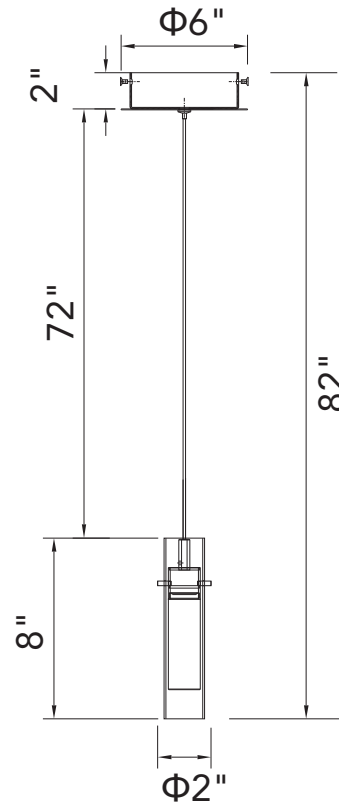




PROJECT: \_\_\_\_\_  
 FIXTURE TYPE: \_\_\_\_\_  
 LOCATION: \_\_\_\_\_  
 CONTACT/PHONE: \_\_\_\_\_



Item	1606P5-1-101
Collection	OLINDA
Category	Mini Pendant
Finish	Black
Glass	Clear
Crystal	-----
Acrylic	Frosted

Shade Color	-----
Min Assembled Height	10.5"
Max Assembled Height	82"
Width	2"
Length	2"
Extension Wall Mounts	-----
Input	120V AC,60HZ,AC

Lumens	104
Light Source	Integrated LED
Bulb Info.	2W
Included	Yes
Dimmable	Yes
Colour Temp	3000
Weight	0.66 Lbs

CWI Lighting  
 2775 Broadway  
 Buffalo, NY 14227  
 USA

CWI Lighting  
 140 Steelcase Rd. W.  
 Markham ON. L3R 3J9  
 Canada

Dallas Showroom  
 Showroom #: 4707  
 2100 N. Stemmons Frwy.  
 Dallas, TX 75207

Email: info@cwilighting.com  
 Toll: 1-877-564-6034  
 www.cwilighting.com

