

# CRYSTORAMA LIGHTING



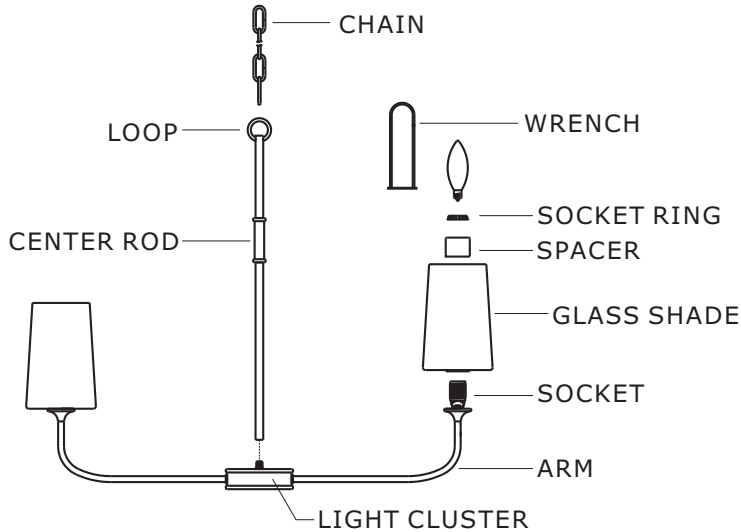
ASSEMBLY INSTRUCTION MODEL#NIL-70015-BF-MG



All electrical components must be installed by a licensed electrician in accordance with the National Electric Code and the appropriate local electrical codes.



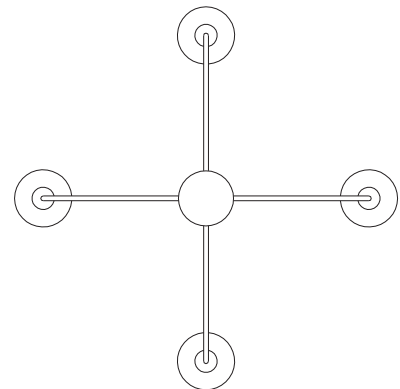
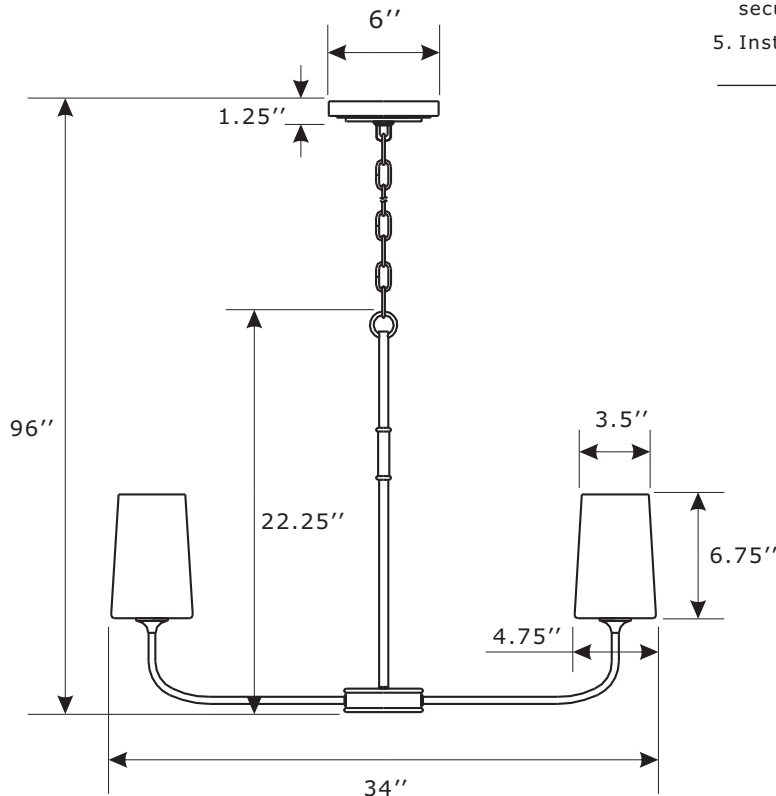
You will need 4- Candelabra Base Bulb  
40 Watts Recommended 60 Watts Max.  
USE LED BULBS FOR EXTENDED USE  
This fixture is Damp rated



## How to install

**Important Notice:** Please screw the center stem onto the fixture and then lift the fixture out of the styrofoam by holding the center stem. Do not hold any arms to pull the fixture out.

1. Slip the center rod assembly along wire and thread onto the nipple located on the top of the light cluster.
2. Determine the preferred hanging height and adjust to the chain required.
3. Install the fixture onto outlet box.
4. Install the glass shade and spacer over the socket, and secure with the socket ring by wrench.
5. Install the bulb(not included) into the socket .



**WARNING:** This product can expose you to Lead which is known to the state of California to cause cancer and/or birth defects or reproductive harm. For more information go to [www.P65Warnings.ca.gov](http://www.P65Warnings.ca.gov)



## Part Number

### Part Numbers

- A. (1)-Mounting hardware
- B. (1)-Canopy W5-7/8"xH1-1/8" #XRF70014BFMGCAN5.8IN
- C. (1)-Collar ring
- D. (1)-Collar loop
- E. (1)-Chain -72", 4mm thick #XRF70014BFMGCHA4MM
- F. (1)-Top stem with loop L6-3/4" #XRF70015BFMGTOSTEM6.75IN
- G. (1)-Center stem L2-3/4" #XRF70014BFMGCESTEM2.75IN
- H. (1)-Bottom stem L11" #XRF70014BFMGBOSTEM11IN
- I. (1)-Wrench
- J. (4)-Socket ring
- K. (4)-Spacer
- L. (4)-Glass shade #XRF70012BFMGGLA6.6IN
- M. (4)-Socket

