

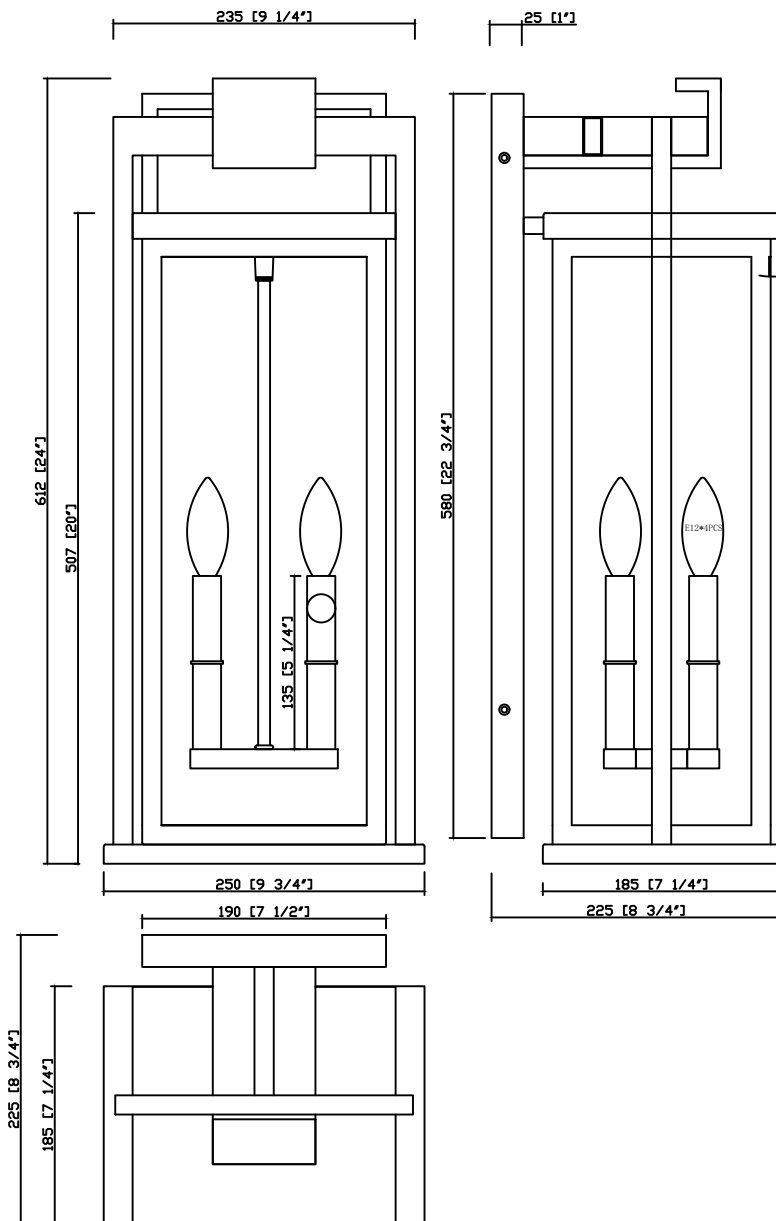
# CRYSTORAMA

LIGHTING THE WAY FOR SIXTY YEARS

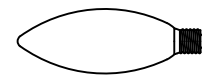


Crystorama.com

## ASSEMBLY INSTRUCTION MODEL #LDL-904-TZ-TG



All electrical components must be installed by a licensed electrician in accordance with the National Electric Code and the appropriate local electrical codes.



You will need 4- Cand. base Bulb  
40 Watts Recommended 60 Watts Max  
USE LED BULBS FOR EXTENDED USE  
THIS FIXTURE IS WET RATED

### How to Install

- Loosen the mounting plate from the frame.
  - If the outlet box is around the center of the mounting plate, attach the mounting plate onto the outlet box using the two outlet box screws.
  - If the outlet box is far off the center of the mounting plate, please proceed with the following steps:
    - Place the mounting plate over the outlet box and mark 4 points on the wall surface at the center of the holes on the mounting plate.
    - Drill the holes at the marked points and insert the wall anchors.
    - Place the mounting plate over the outlet box and secure with the anchor screws.
- Insert the glass bottom from the bottom of the frame to ensure the top of the glass is seated properly inside the top of the frame. Secure the glass with the clips at the bottom of the frame.
- Attach the back plate to the mounting plate using the screws.
- Install the bulb(not included) into the socket.



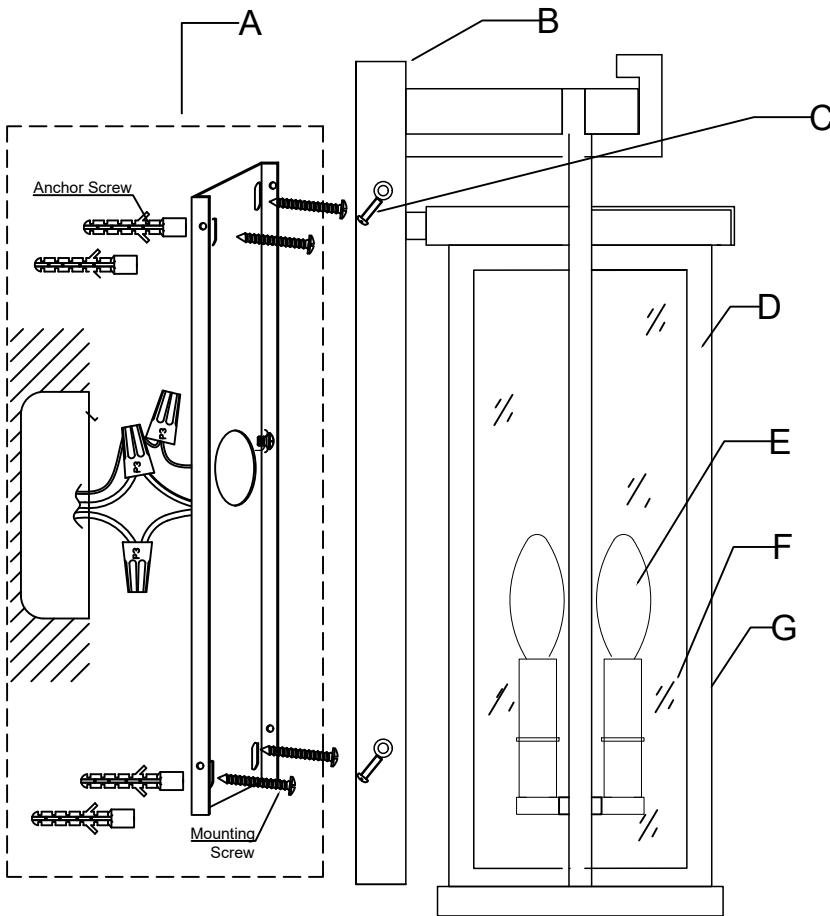
WARNING: This product can expose you to Lead, which is known to the State of California to cause cancer and/or birth defects or reproductive harm. For more information go to [www.P65Warnings.ca.gov](http://www.P65Warnings.ca.gov)

# CRYSTORAMA

LIGHTING THE WAY FOR SIXTY YEARS



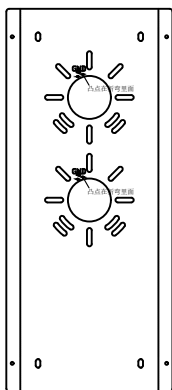
## ASSEMBLY INSTRUCTION MODEL #LDL-904-TZ-TG



### Part Number

#### Part Numbers

- A. Mounting Hardware
  - (3)-Wire Nut
  - (1)-Mounting Plate
  - (4)-Plastic anchor and anchor Screw
  - (1)-Green Ground Screw
  - (2)-Outlet box screw
- B. (1)-Back plate;22.75"x7.5"x1"H  
(XAR904TZTGBKP23IN)
- C. (4)-Screws
- D. (1)-Frame
- E. (4)-Socket
- F. (2)-Side Glass 1;H18.25\*W6.25"  
(XAR904GLA18.25IN)
- G. (2)-Front Glass 2;H18.25\*\*W7"  
(XAR904GLA18.25IN\_2)



#### For installation of mounting plate:

1. Put the mounting plate over the outlet box and mark the 4 points on the wall surface at the center of 4 holes on the mounting plate.
2. Drill 4 holes at the marked points and insert the wall anchors.
3. Place the mounting plate over the outlet box and secure it with outlet screws. Insert the wall anchor screws inside the wall anchors and tighten it.

#### Glass Installation Diagram

