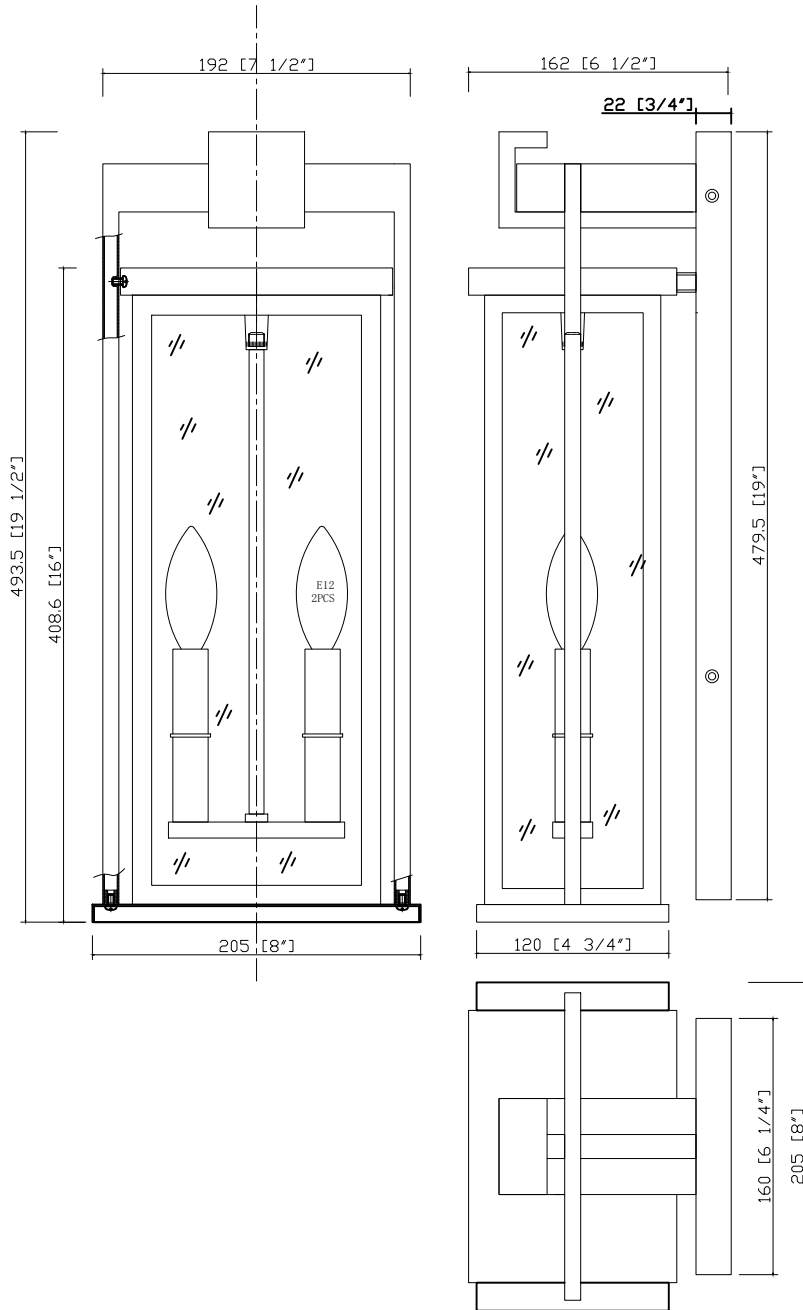


CRYSTORAMA

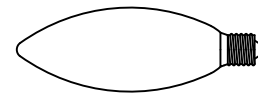
LIGHTING THE WAY FOR SIXTY YEARS



ASSEMBLY INSTRUCTION MODEL #LDL-902-TZ-TG



All electrical components must be installed by a licensed electrician in accordance with the National Electric Code and the appropriate local electrical codes.



You will need 2- Cand. base Bulb
40 Watts Recommended 60 Watts Max
USE LED BULBS FOR EXTENDED USE
THIS FIXTURE IS WET RATED

How to Install

- Loosen the mounting plate from the frame.
 - If the outlet box is around the center of the mounting plate, attach the mounting plate onto the outlet box using the two outlet box screws.
 - If the outlet box is far off the center of the mounting plate, please proceed with the following steps:
 - Place the mounting plate over the outlet box and mark 4 points on the wall surface at the center of the holes on the mounting plate.
 - Drill the holes at the marked points and insert the wall anchors.
 - Place the mounting plate over the outlet box and secure with the anchor screws.
- Loosen the two screws on the bottom of the cage to take it down.
- Install the bulbs (not included) into the socket.
- Insert the glass bottom from the bottom of the frame to ensure the top of the glass is seated properly inside the top of the frame. Secure the glass with the clips at the bottom of the frame.
- Put the bottom cage back and secure it onto the bars using the screws.
- Attach the back plate to the mounting plate using the screws.



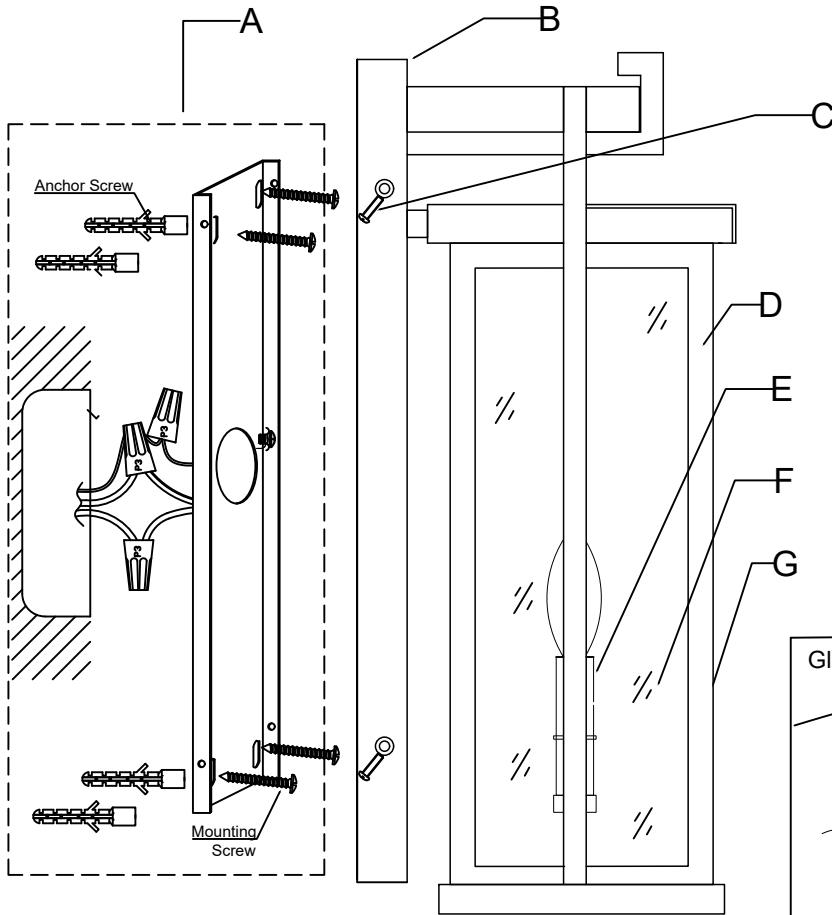
WARNING: This product can expose you to Lead, which is known to the State of California to cause cancer and/or birth defects or reproductive harm. For more information go to www.P65Warnings.ca.gov

CRYSTORAMA

LIGHTING THE WAY FOR SIXTY YEARS



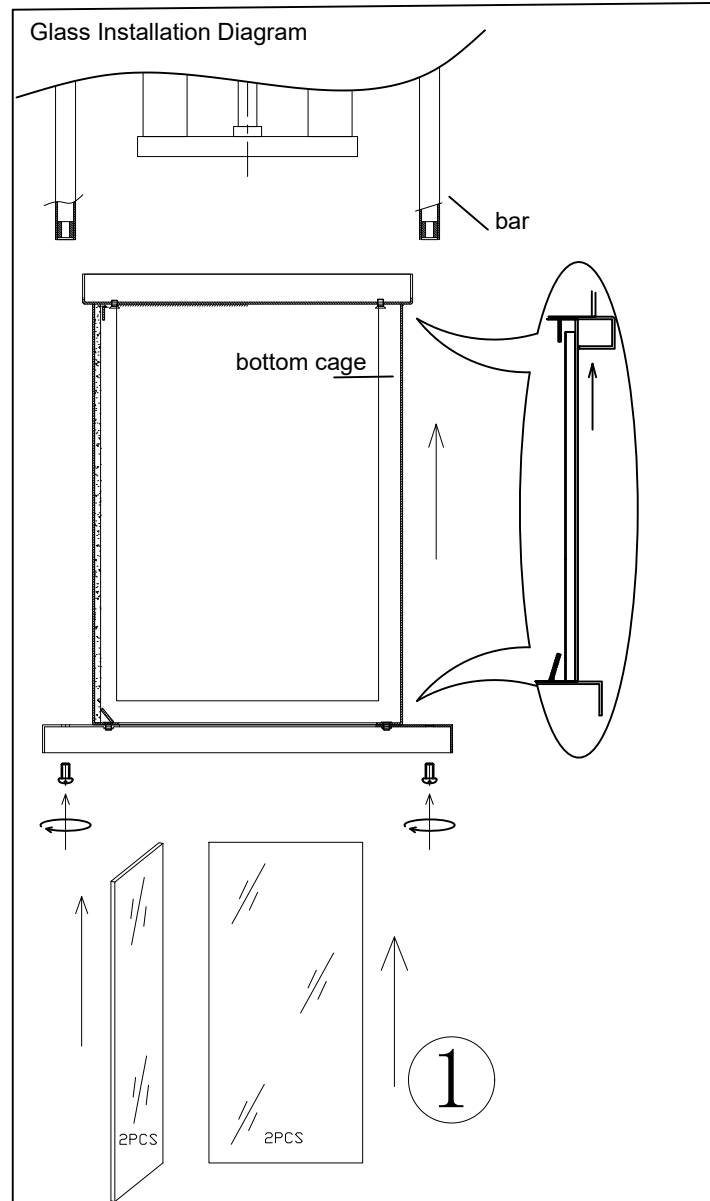
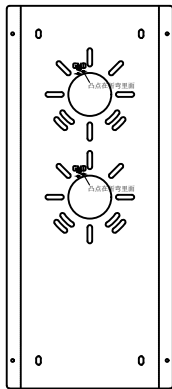
ASSEMBLY INSTRUCTION MODEL #LDL-902-TZ-TG



Part Number

Part Numbers

- A. Mounting Hardware
 - (3)-Wire Nut
 - (1)-Mounting Plate
 - (4)-Plastic anchor and anchor Screw
 - (1)-Green Ground Screw
 - (2)-Outlet box screw
- B. (1)-Back plate; 19"x6.25"x0.75"H
(XAR902TZTGBKP19IN)
- C. (4)-Screws
- D. (1)-Frame
- E. (2)-Socket
- F. (2)-Side Glass 1; H14.5*W4"
(XAR902GLA14.5IN)
- G. (2)-Front Glass 2; H14.5*W5.75"
(XAR902GLA14.5IN_2)



For installation of mounting plate:

1. Put the mounting plate over the outlet box and mark the 4 points on the wall surface at the center of 4 holes on the mounting plate.
2. Drill 4 holes at the marked points and insert the wall anchors.
3. Place the mounting plate over the outlet box and secure it with outlet screws. Insert the wall anchor screws inside the wall anchors and tighten it.