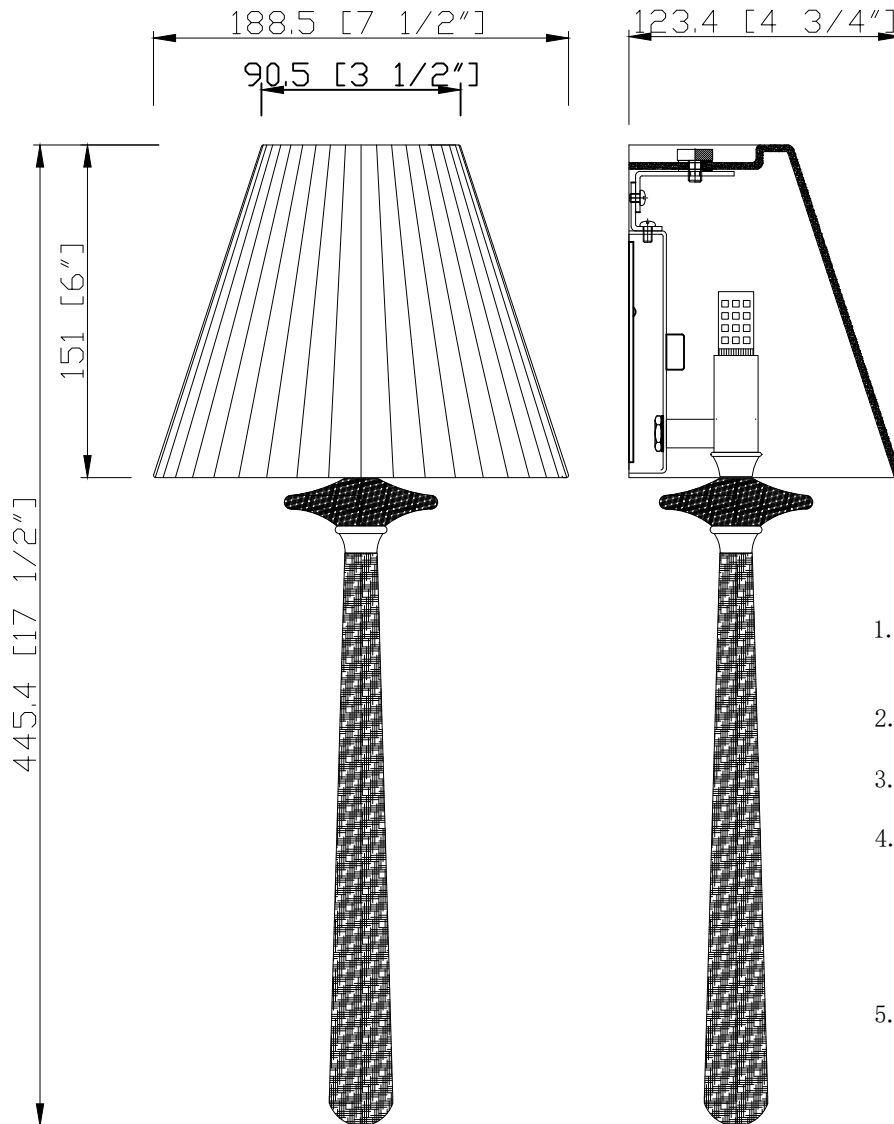
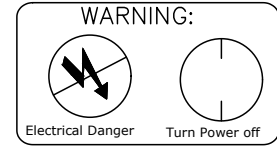


CRYSTORAMA

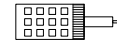
LIGHTING THE WAY FOR SIXTY YEARS



ASSEMBLY INSTRUCTION MODEL #JLS-2901-AG-WD



All electrical components must be installed by a licensed electrician in accordance with the National Electric Code and the appropriate local electrical codes.



You will need 1 - 3.5W G9 LED bulb included.

THIS FIXTURE IS Damp RATED

How to Install

1. Remove the mounting plate from the backplate and install the mounting plate onto the outlet box.
2. Install backplate onto the mounting plate, and secure with the cap nut.
3. Install the bulb (included) into the socket.
4. Remove the finial from the bracket on top of the backplate and slide the glass over it. If the glass is not level, remove the glass and adjust the bracket to make the glass sit level. Put the glass back and secure with the finial.
5. Screw the wood finial onto the bottom of the socket.

WARNING: This product can expose you to Lead, which is known to the State of California to cause cancer and/or birth defects or reproductive harm. For more information go to www.P65Warnings.ca.gov

CRYSTORAMA

LIGHTING THE WAY FOR SIXTY YEARS



ASSEMBLY INSTRUCTION MODEL #JLS-2901-AG-WD

Part Number

Part Numbers

- A. (1)-Mounting hardware
- B. (1)-Back plate
(XAR2901WBKP5.25IN)
- C. (1)-Cap nut
- D. (1)-G9LED bulb
- E. (1)-Glass(XAR2901GLA7.5IN)
- F. (1)- Finial
- G. (1)- Wood finial

