

CRYSTORAMA LIGHTING



Crystorama.com

ASSEMBLY INSTRUCTION MODEL #COL-202-CH



All electrical components must be installed by a licensed electrician in accordance with the National Electric Code and the appropriate local electrical codes.

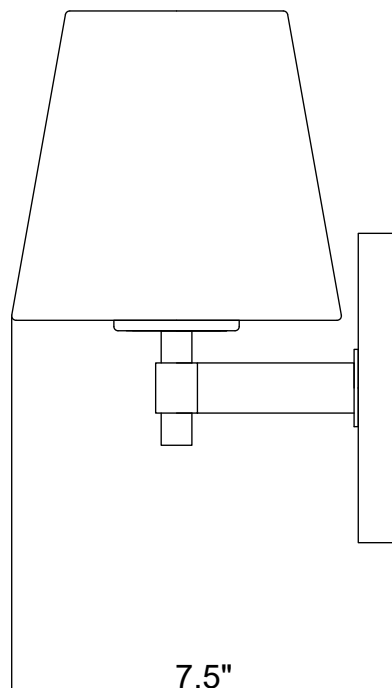
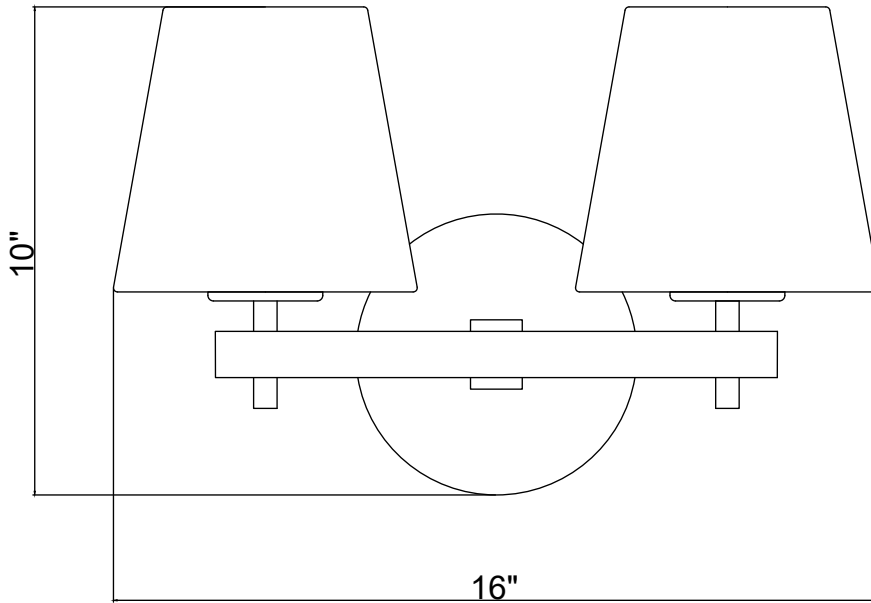


You will need 2- Medium Base Bulbs
40 Watts Recommended 60 Watts Max.
USE LED BULBS FOR EXTENDED USE
This fixture is Damp rated.

How to install:

Place the fixture parts on a soft cloth-covered platform before installation of fixture.

1. Install the mounting plate onto the outlet box.
2. Install the lamp body over the mounting plate and secure with the screws.
3. Place the glass shade over the socket and secure with the socket ring .
4. Install the bulb (not included) into the socket.



WARNING: This product can expose you to Lead, which is known to the state of California to cause cancer and/or birth defects or reproductive harm. For more information go to www.P65Warnings.ca.gov



Part Number

Part Number

A.(1)-Mounting hardware
Wire Connector x2.
Mounting plate x1.
Machine Screw x2.

B.(1)-Lamp body kit
Backplate; $\text{Ø}5\ 1/2''$
-XSN201CHBKP5.5IN
Socket x2
Metal cap ; $\text{Ø}2\ 1/2''$ x2
Coupling x2
Square tube ; H12"
Finial x2

C.(2)-Socket ring

D.(2)-Glass shade ; $\text{Ø}6''$; H5 1/2"
-XSN201GLA6IN

E.(2)-Screws

