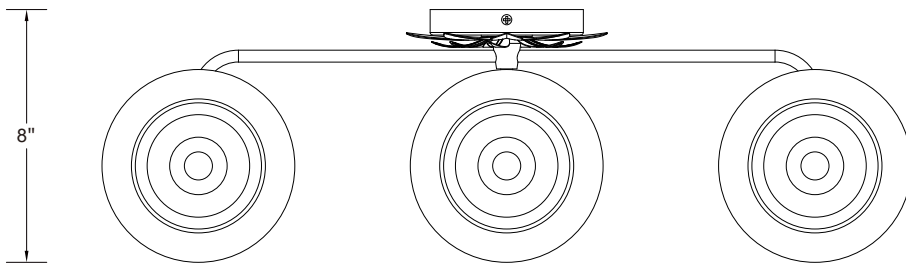
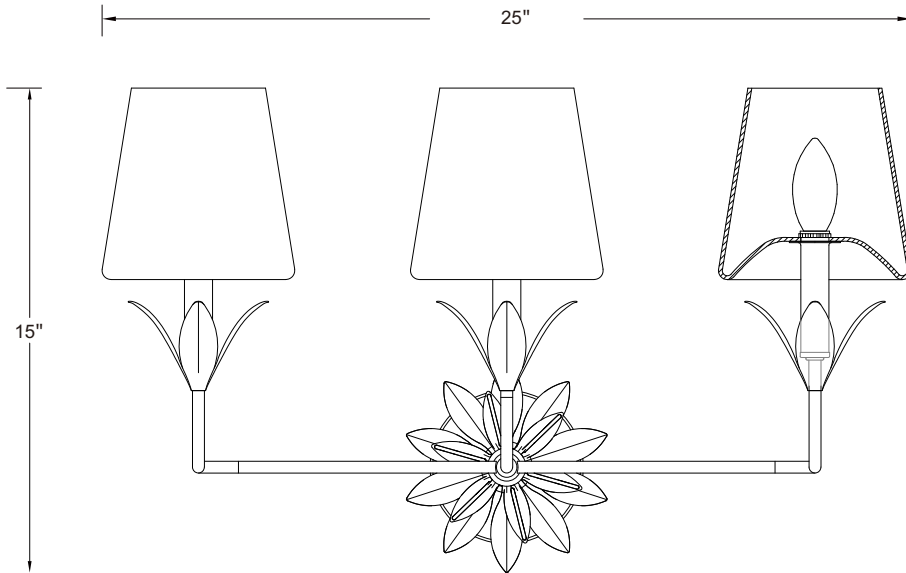


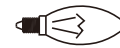
CRYSTORAMA LIGHTING



ASSEMBLY INSTRUCTION MODEL # 573-OP-SA



All electrical components must be installed by a licensed electrician in accordance with the National Electric Code and the appropriate local electrical codes.



You will need 3-Candelabra Base Bulb
40 Watts Recommended 60 Watts Max.

USE LED BULBS FOR EXTENDED USE

THIS FIXTURE IS DAMP RATED

How to Install

1. Install the mounting plate onto the outlet box.
2. Place the backplate over the mounting plate and secure with the screws.
3. Unscrew the socket ring from the socket. Put the glass shade over the candle sleeve and secure with socket ring.
4. Install the bulb onto the socket.

WARNING: This product can expose you to Lead, which is known to the State of California to cause cancer and/or birth defects or reproductive harm. For more information go to www.P65Warnings.ca.gov.

CRYSTORAMA LIGHTING



PART NUMBER MODEL # 573-OP-SA

Part Number

- A. (1) - Mounting Hardware
- B. (1) - Backplate(W4.72", H0.78") #XRE571OPSA4.72IN
- C. (3) - Candle Sleeve(W1.18,H3.54") #XRE571OPSACDL3.54IN
- D. (3) - White Opal Glass Shade #XRE571OPSASHA6IN
- E. (3) - Socket Ring

