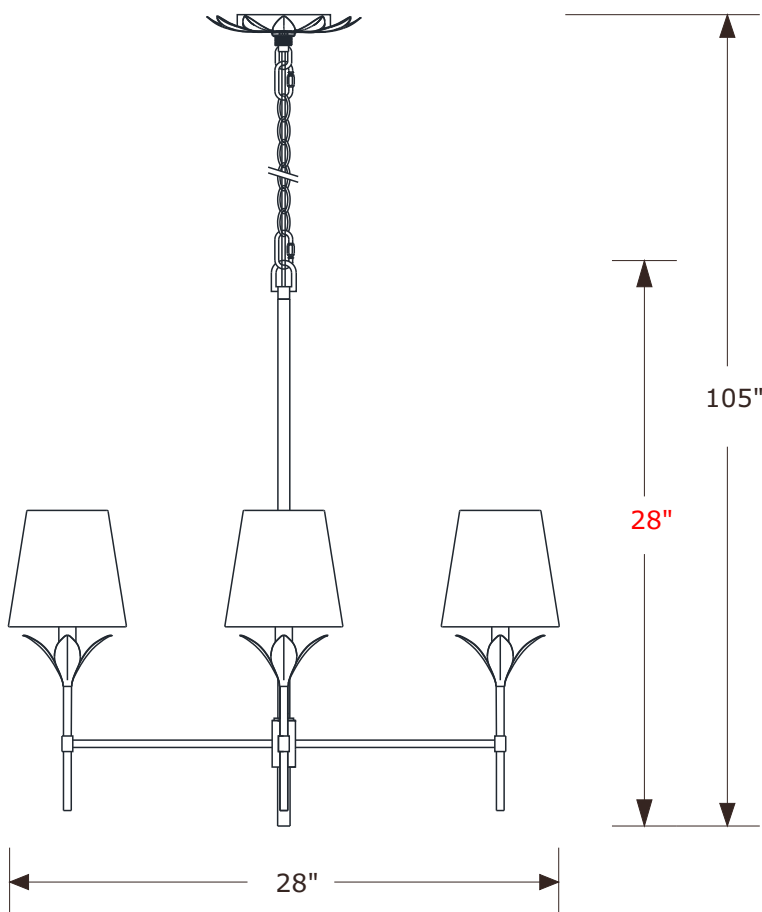


CRYSTORAMA LIGHTING



Crystorama.com

ASSEMBLY INSTRUCTION MODEL # 534-GA



All electrical components must be installed by a licensed electrician in accordance with the National Electric Code and the appropriate local electrical codes.

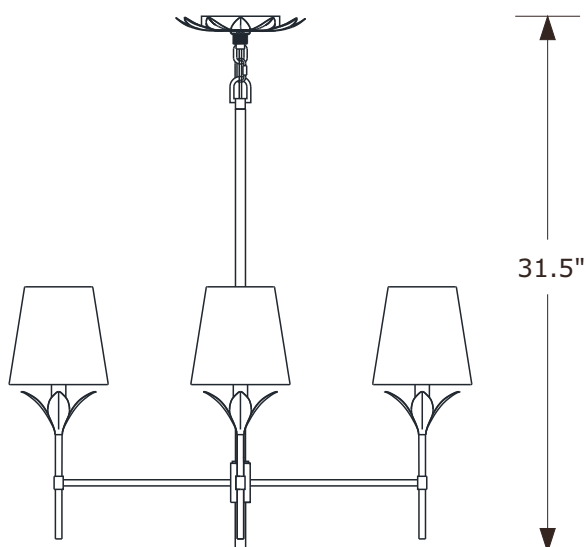


You will need 4 -Candelabra Bulb
40 Watts Recommended 60 Watts Max.
USE LED BULBS FOR EXTENDED USE
THIS FIXTURE IS DRY RATED

How to Install

- 1.Screw the top stem onto the the top of the frame.
- 2.Screw the bottom stem onto the bottom of the frame.
- 3.Decide the preferred hanging height and choose the correct length of chain needed.
- 4.Raise the fixture up to the ceiling and do the wire connections.

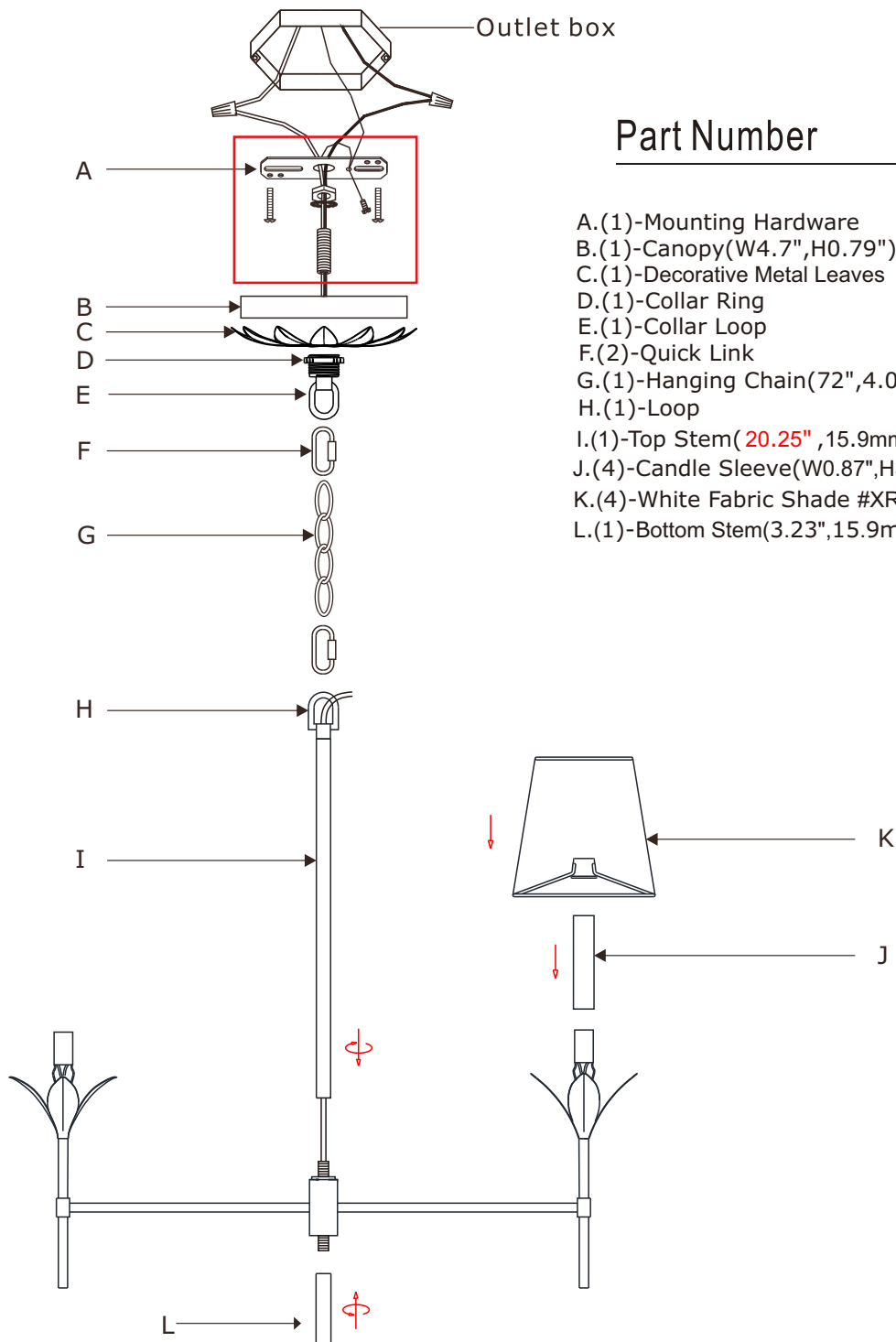
The minimum hanging height:



⚠ WARNING: This product can expose you to Lead, which is known to the State of California to cause cancer and/or birth defects or reproductive harm. For more information go to www.P65Warnings.ca.gov.



PART NUMBER MODEL # 534-GA



Part Number

- A.(1)-Mounting Hardware
- B.(1)-Canopy(W4.7",H0.79") #XRE514GACAN4.7IN
- C.(1)-Decorative Metal Leaves
- D.(1)-Collar Ring
- E.(1)-Collar Loop
- F.(2)-Quick Link
- G.(1)-Hanging Chain(72",4.0mm) #XRE504GACHA4MM
- H.(1)-Loop
- I.(1)-Top Stem(20.25",15.9mm) #XRE534GASTEM 20.25 IN
- J.(4)-Candle Sleeve(W0.87",H3.9") #XRE516GACDL3.94IN
- K.(4)-White Fabric Shade #XRE531SHA6IN
- L.(1)-Bottom Stem(3.23",15.9mm) #XRE534GASTEM3.23IN