

# CRYSTORAMA

1958

95 Cantiague Rock Road, Westbury NY 11590

Ph: 516.931.9090 Fax: 516.931.1254

[info@crystorama.com](mailto:info@crystorama.com) [www.crystorama.com](http://www.crystorama.com)

## MODEL #: 2030-PN ASSEMBLY AND DRESSING INSTRUCTIONS

### WARNING

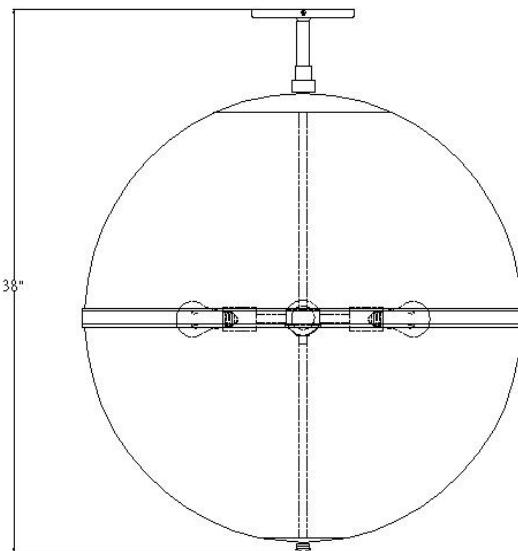
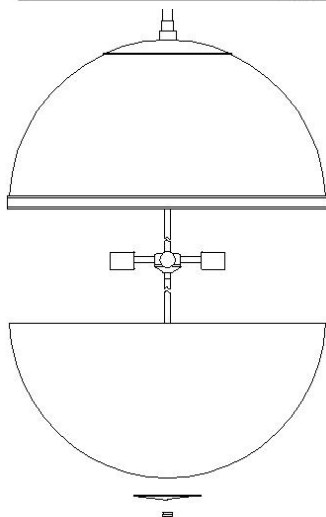
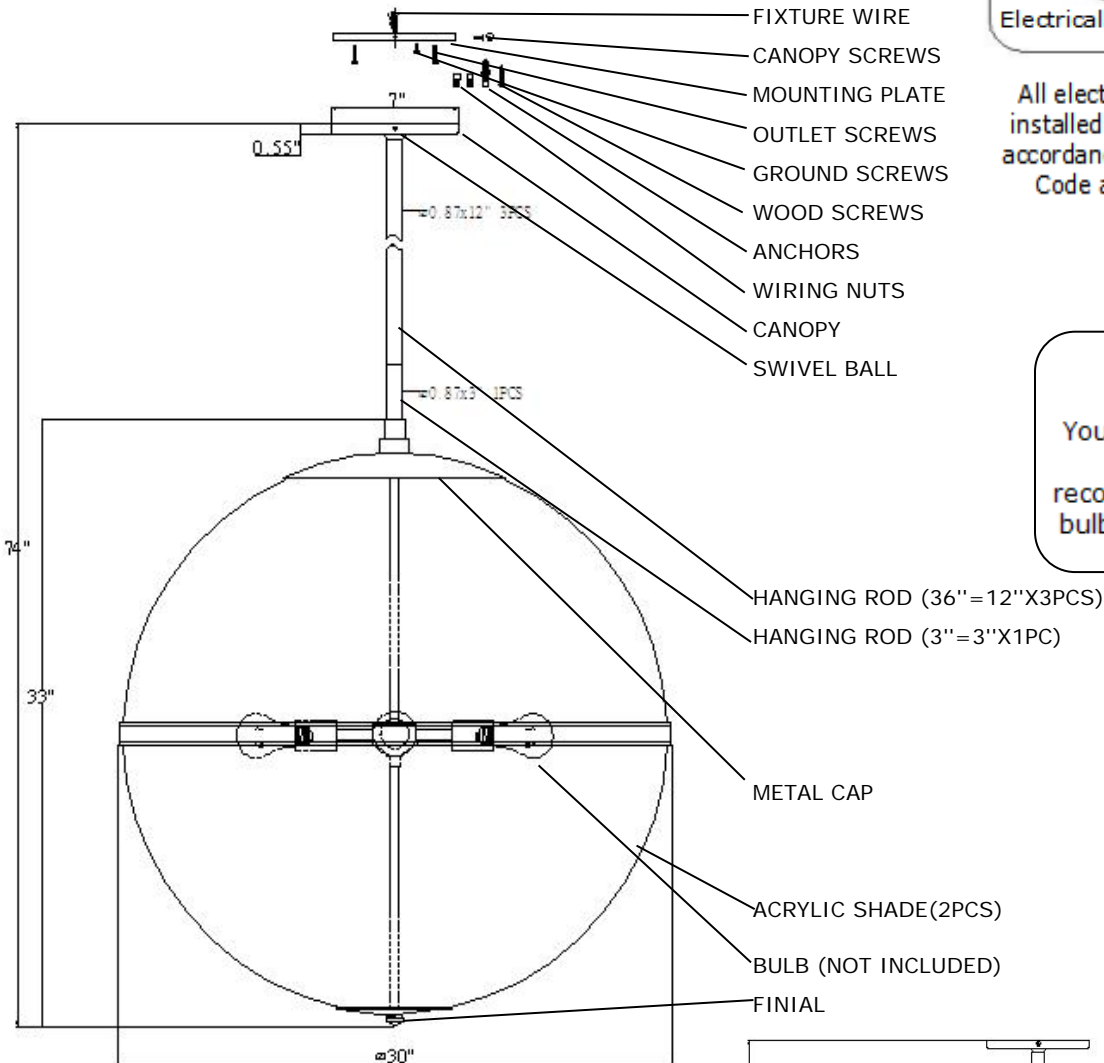


Electrical Danger Turn Power Off

All electrical components must be installed by a licensed electrician in accordance with the National Electric Code and the appropriate local electrical codes.



You will need 4 Medium bulbs 75 watts recommended (used LED bulbs for extended use)



NOTICE: TO REPLACE THE BULB, PLEASE UNSCREW THE BOTTOM FINIAL FROM BOTTOM METAL CAP AS SHOWN ABOVE