

# CRYSTORAMA

LIGHTING THE WAY FOR SIXTY YEARS

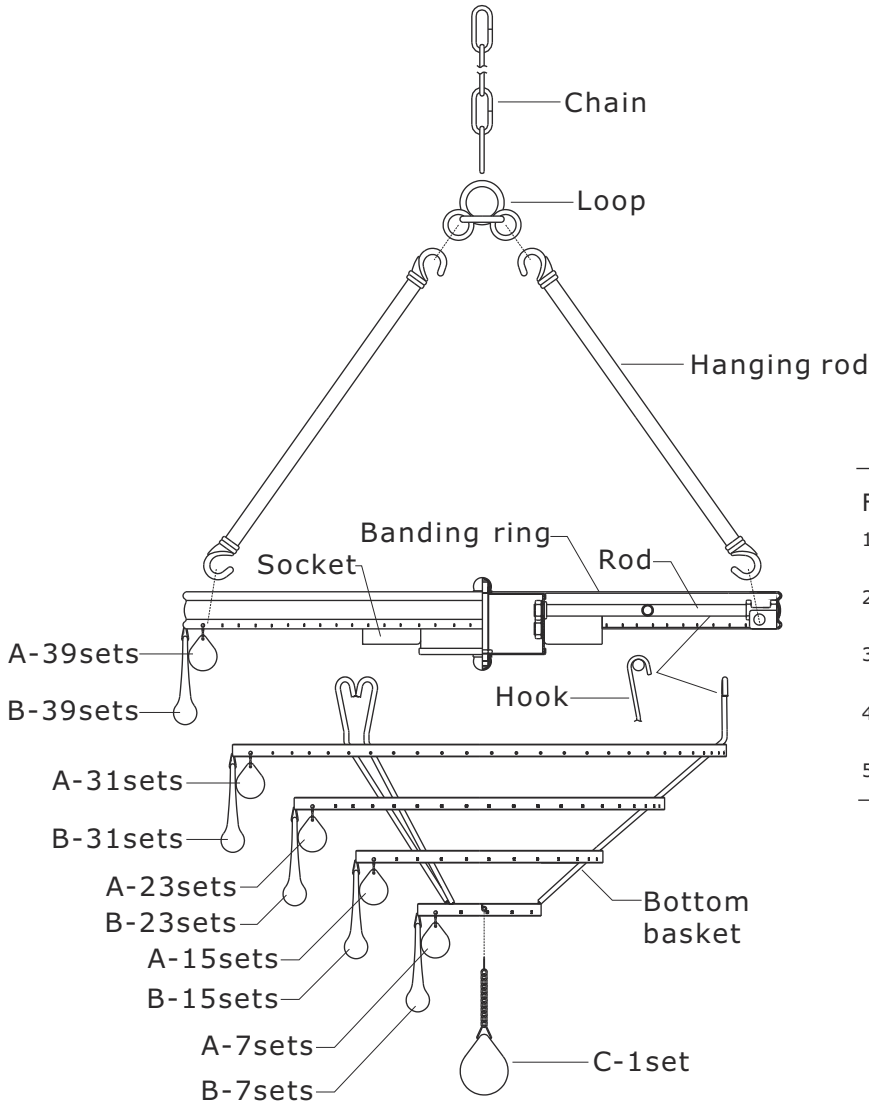
## ASSEMBLY INSTRUCTION MODEL# 136-VZ



All electrical components must be installed by a licensed electrician in accordance with the National Electric Code and the appropriate local electrical codes.



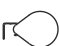
You will need 6- Candelabra Base Bulb  
40 Watts Recommended 60 Watts Max.  
USE LED BULBS FOR EXTENDED USE  
This fixture is Damp rated





### For ceiling:

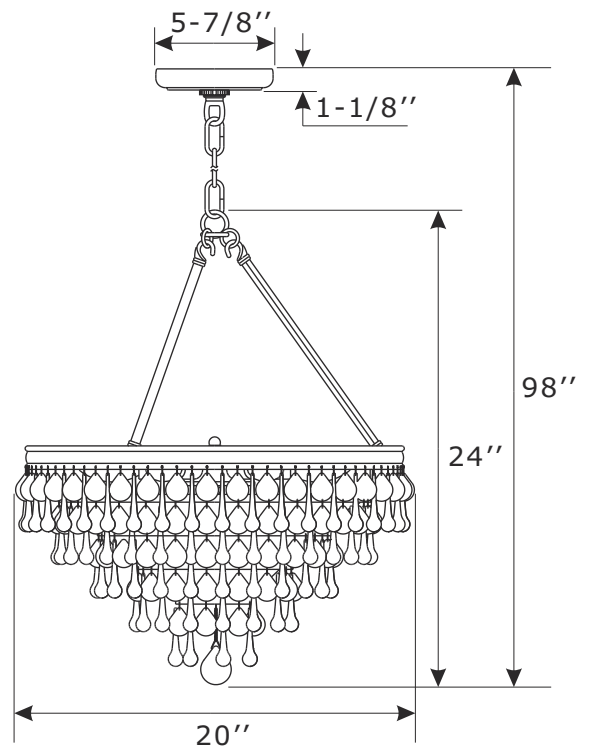
1. Connect one end of hanging rod to the hole inside the banding ring, the second end of it to the loop.
2. Raise the bottom basket and connect the hooks of the bottom basket to the rods of the banding ring.
3. Hang crystals to the banding ring and bottom basket, alternating between glass drop A and B.
4. Hang glass drop C at the bottom of the bottom basket.
5. Install the bulb(not included) into the socket.

**Hang crystals on the rings alternating between crystals A and B**

A=  30mmx115sets

B=  76mmx115sets

C=  (40mm Ball with chain)x1set



**WARNING:** This product can expose you to Lead which is known to the state of California to cause cancer and/or birth defects or reproductive harm. For more information go to [www.P65Warnings.ca.gov](http://www.P65Warnings.ca.gov)

# CRYSTORAMA

LIGHTING THE WAY FOR SIXTY YEARS

PART NUMBER MODEL#136-VZ

## Part Number

### Part Numbers

- A. (1)-Mounting hardware
- B. (1)-Canopy W5-7/8"xH1-1/8" #XRF136VZCAN5.875IN
- C. (1)-Collar ring
- D. (1)-Collar loop #XRF136VZPRT
- E. (1)-Chain -L72", 4mm thick #XRF130VZCHA4MM
- F. (1)-Loop #XRF136VZLOOP
- G. (3)-Hanging rod D1/2"xL13-3/4" #XRF136VZHROD13.75IN
- H. (1)-Banding ring
- I. (6)-Socket
- J. (1)-Bottom basket #XRF136VZBT

