

CRAFTMADE™

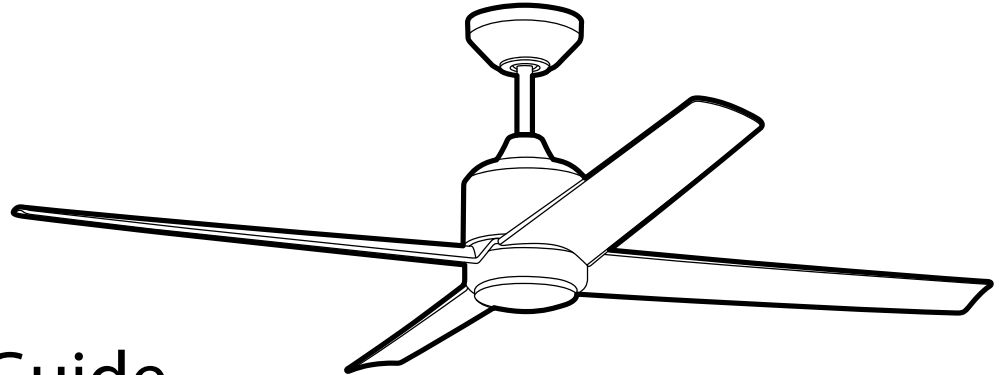
READ THESE INSTRUCTIONS
AND SAVE THEM FOR FUTURE USE

Quell

Installation Guide

For Model:

QUL52-NWF



! WARNING:
**DC Motor will not
operate until
blades are installed**

**Remote control
and receiver are
pre-programmed**



Intertek
4007498

APPROVED FOR USE IN
DAMP LOCATIONS

Table of Contents:

Safety Tips. pg. 2
Unpacking Your Fan. pg. 3
Parts Inventory. pg. 3
Installation Preparation. pg. 4
Hanging Bracket Installation. pg. 4
Fan Assembly. pgs. 5 - 6
Wiring. pg. 7
Canopy Assembly. pg. 8
Blade Assembly. pg. 8
Light Kit Assembly (Optional). pg. 9
Remote Control Operation. pg. 10
Testing Your Fan. pg. 11
Programming Fan./Activating a New
Code. pg. 11
Troubleshooting. pg. 12
Warranty. pg. 12
Parts, Replacement and
Technical Assistance. pg. 12

net weight of fan: 11.86 lb. (5.38 kg)

SAFETY TIPS.

READ ALL INSTRUCTIONS AND SAFETY INFORMATION CAREFULLY BEFORE INSTALLING YOUR FAN AND SAVE THESE INSTRUCTIONS.

WARNING

- To reduce the risk of electrical shock, turn off the electricity to the fan at the main fuse box or circuit panel before you begin fan installation or before servicing the fan or installing accessories.
- To reduce the risk of fire, electrical shock, or personal injury, mount to the outlet box marked "Acceptable for Fan Support of 15.9 kg (35 lb) or less," and use the mounting screws provided with the outlet box. Most outlet boxes commonly used for the support of lighting fixtures are not acceptable for fan support and may need to be replaced. Consult a qualified electrician if in doubt.
- To reduce the risk of fire, electrical shock, or personal injury, wire connectors provided with this fan are designed to accept only one 12-gauge house wire and two lead wires from the fan. If your house wire is larger than 12-gauge or there is more than one house wire to connect to the corresponding fan lead wires, consult an electrician for the proper size wire connectors to use.
- To reduce the risk of fire or electrical shock, do not use this fan with any solid state speed control device or control fan speed with a full range dimmer switch. [Using a full range dimmer switch to control fan speed will cause a loud humming noise from fan.]
- To reduce the risk of personal injury, do not bend the blades during assembly or after installation. Do not insert objects into the path of the blades.
- To reduce the risk of serious bodily injury, DO NOT use power tools to assemble any part of the fan, including the blades.
- To avoid personal injury or damage to the fan and other items, be cautious when working around or cleaning the fan.
- This fan **MUST** be installed with the safety cable provided with the fan. Failure to use the safety cable provided may result in personal injury, damage to the fan or damage to other property.
- Metal cover for use without light kit will be HOT if light is left on. To reduce the risk of personal injury, light kit must be OFF or DISCONNECTED before installing metal cover.
- To reduce the risk of personal injury, use only parts provided with this fan. **The use of parts OTHER than those provided with this fan will void the warranty.**

CAUTION

- To avoid personal injury, the use of gloves may be necessary while handling fan parts with sharp edges.
- Do NOT tamper with or attempt to repair LED component of fixture. The light source is designed for this specific application and should not be serviced by untrained personnel. If any servicing is required, call our customer service department.
- Changes or modifications not approved by the party responsible for compliance could void the user's authority to operate the equipment. [The equipment refers to the remote and/or wall control and/or LED light kit.]

NOTE: This equipment has been tested and found to comply with the limits for a Class B digital device, pursuant to Part 15 of the FCC Rules. These limits are designed to provide reasonable protection against harmful interference in a residential installation. This equipment generates, uses and can radiate radio frequency energy and, if not installed and used in accordance with the instructions, may cause harmful interference to radio communications. However, there is no guarantee that interference will not occur in a particular installation. If this equipment does cause harmful interference to radio or television reception, which can be determined by turning the equipment off and on, the user is encouraged to try to correct the interference by one or more of the following measures:

- * Reorient or relocate the receiving antenna.
- * Increase the separation between the equipment and receiver.
- * Connect the equipment into an outlet on a circuit different from that to which the receiver is connected.

Consult the dealer or an experienced radio/TV technician for help.

- The LED light kit complies with Part 15 of the FCC Rules. Operation is subject to the following two conditions: (1) this LED light kit may not cause harmful interference, (2) this LED light kit must accept any interference received, including interference that may cause undesired operation.

1. Make sure all electrical connections comply with Local Codes or Ordinances, the National Electrical Code, and ANSI/NFPA 70-1999. If you are unfamiliar with electrical wiring or if the house/building wires are different colors than those referred to in the instructions, please use a qualified electrician.
2. Make sure you have a location selected for your fan that allows clear space for the blades to rotate and at least seven (7) feet (2.13 meters) of clearance between the floor and the fan blade tips. The fan should be mounted so that the tips of the blades are at least thirty (30) inches (76 centimeters) from walls or other upright structures.
3. The outlet box and ceiling support joist used must be securely mounted, and capable of supporting at least 35 pounds (16 kilograms). The outlet box must be supported directly by the building structure. Use only CETL or CUL in Canada or ETL or UL in USA listed outlet boxes marked "FOR FAN SUPPORT."
4. Electrical diagrams are for reference only.
5. After installation is complete, check that all connections are absolutely secure.
6. After making electrical connections, spliced conductors should be turned upward and pushed carefully up into the outlet box. The wires should be spread apart with the grounded conductor and the equipment-grounding conductor on opposite sides of the outlet box.
7. Do not operate the reverse switch until the fan has come to a complete stop. **[Note: If using remote control with reverse capability, reverse fan blade direction only when on LOW speed.]**
8. Do not use water or detergents when cleaning the fan or fan blades. A dry dust cloth or lightly dampened cloth will be suitable for most cleaning.
9. Light kit is dimmable to 10% with the wall control included.

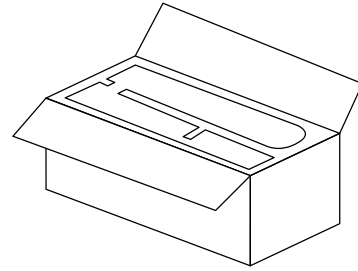
Distributed by: Craftmade, 3901 S 20th Avenue, DFW Airport, TX, 75261; 800-486-4892

NOTE: The important safety precautions and instructions appearing in the manual are not meant to cover all possible conditions and situations that may occur. It must be understood that common sense and caution are necessary factors in the installation and operation of this fan.

1. Unpacking Your Fan.

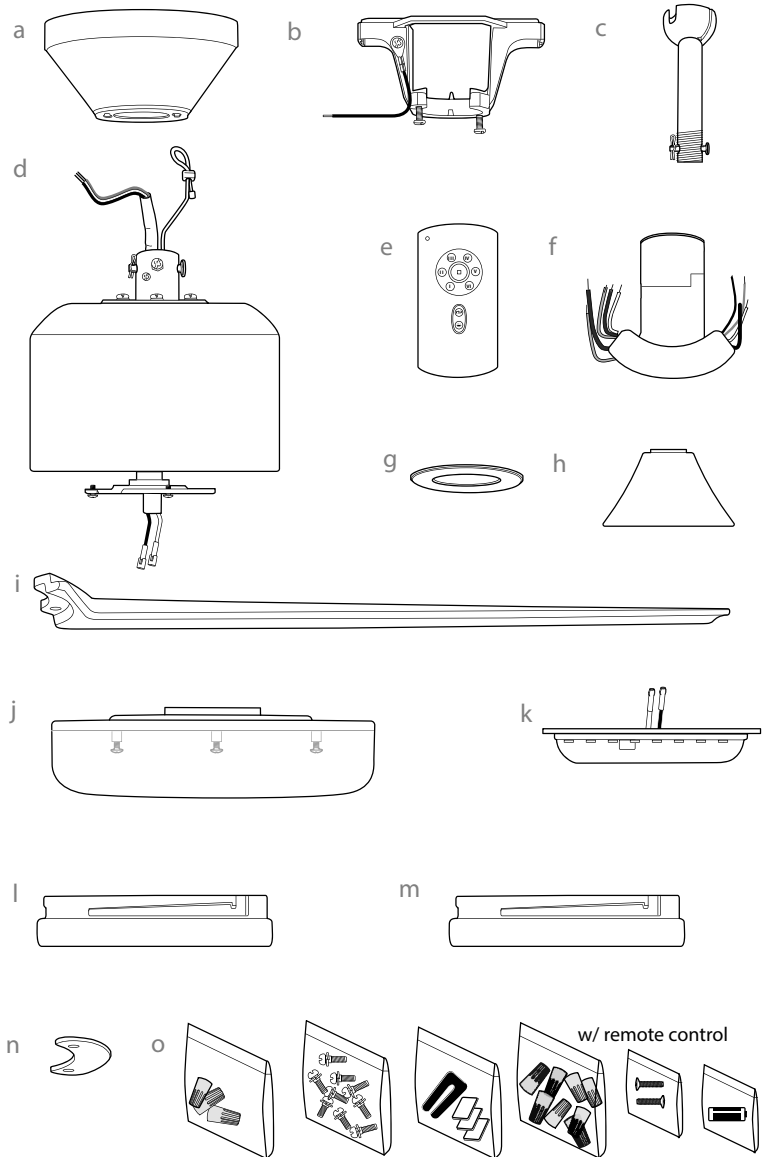
Carefully open the packaging. Remove items from inserts. Remove motor housing and place on carpet or inserts to avoid damage to finish. Do not discard fan carton or Styrofoam inserts should this fan need to be returned for repairs.

Check against parts inventory that all parts have been included.



2. Parts Inventory.

- a. canopy. 1 piece
- b. hanging bracket. 1 piece
- c. downrod and hanging ball (with pin and clip). 1 piece
- d. motor housing. 1 piece
- e. remote control. 1 piece
- f. remote control receiver. 1 piece
- g. canopy cover. 1 piece
- h. yoke cover. 1 piece
- i. blade. 4 pieces
- j. fitter plate. 1 piece
- k. LED light kit. 1 piece
- l. shade. 1 piece
- m. metal cover. 1 piece
- n. blade plate. 4 pieces
- o. hardware packs



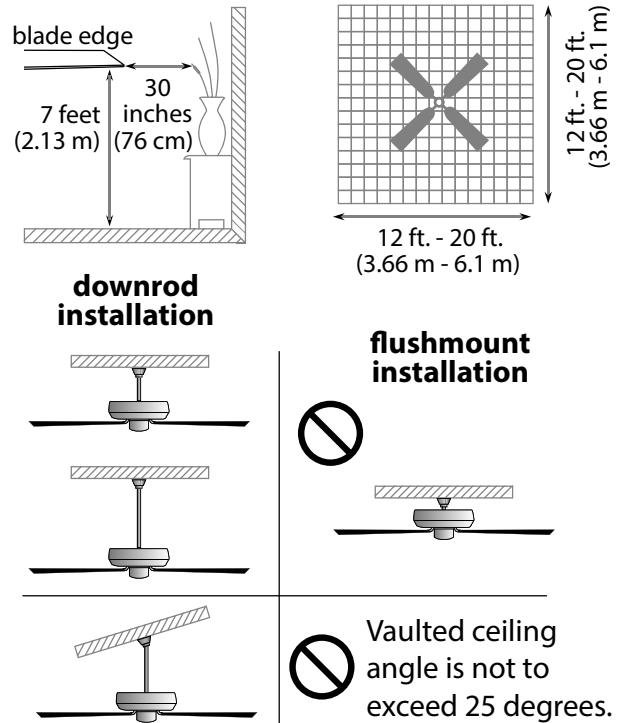
IMPORTANT REMINDER: You must use the parts provided with this fan for proper installation and safety.

3. Installation Preparation.

To prevent personal injury and damage, ensure that the hanging location allows the blades a clearance of 7 feet (2.13m) from the floor and 30 in (76cm) from any wall or obstruction. This fan is suitable for room sizes up to 400 square feet (37.2 square meters).

This fan can be mounted with a **downrod** on a regular (no-slope) or vaulted ceiling. The hanging length can be extended by purchasing a longer downrod (0.5in. /1.27cm diameter). Other installation, such as **flushmount**, is not available for this fan.

Installation requires these tools: Phillips screwdriver, flathead screwdriver, adjustable pliers or wrench, stepladder, wire cutters, and rated electrical tape.



4. Hanging Bracket Installation.

Turn off circuit breakers to current fixture from breaker panel and be sure operating light switch is turned to the OFF position.

⚠ WARNING: Failure to disconnect power supply prior to installation may result in serious injury.

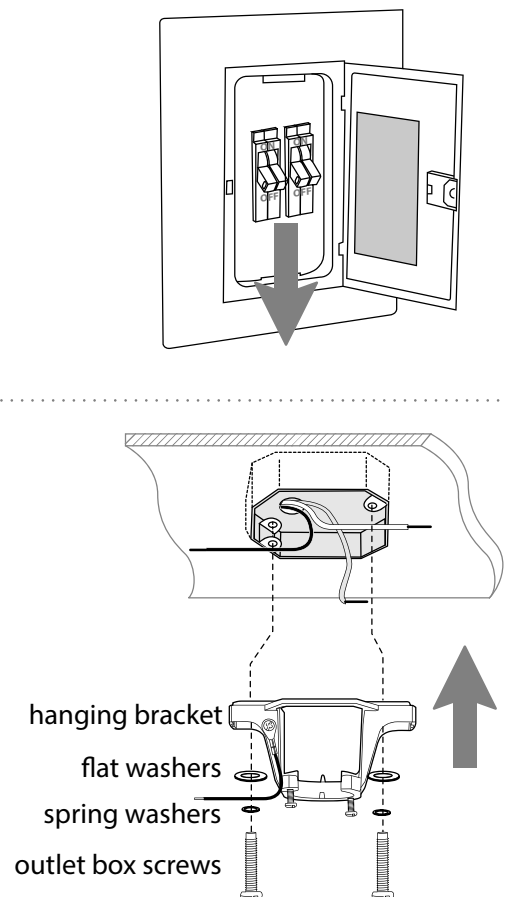
Remove existing fixture.

⚠ WARNING: When using an existing outlet box, be sure the outlet box is securely attached to the building structure and can support the full weight of the fan. Ensure outlet box is clearly marked "Suitable for Fan Support." If not, it must be replaced with an approved outlet box. Failure to do so can result in serious injury.

⚠ CAUTION: Be sure outlet box is grounded properly and that a ground wire (**GREEN** or **BARE**) is present.

Install hanging bracket to outlet box using original screws, spring washers and flat washers provided with new or original outlet box.* If installing on a vaulted ceiling, face opening of hanging bracket towards high point of ceiling. Arrange electrical wiring around the back of the hanging bracket and away from the bracket opening.

***Note:** It is very important that you use the proper hardware when installing the hanging bracket as this will support the fan.



5. Fan Assembly.

Remove hanging ball from downrod provided by loosening set screw on hanging ball. Remove pin and clip. Lower hanging ball and remove stop pin. Then slide hanging ball off downrod. [Refer to **diagram 1**.]

IMPORTANT: NEVER remove set screw from hanging ball. The tiny hole on downrod is not for the set screw. [Refer to **diagram 1**.]

Loosen yoke set screws and nut at top of motor housing. [Refer to **diagram 2**.]

Tip: To prepare for threading electrical wires through downrod, apply a small piece of electrical tape to the ends of the electrical wires--this will keep the wires together when threading them through the downrod. [Refer to **diagram 2**.]

Determine the length of downrod you wish to use. Thread safety cable and electrical wires through threaded end of downrod and pull extra wire slack from the upper end of the downrod. [Refer to **diagram 2**.]

Thread downrod into the motor housing yoke until holes for pin and clip in downrod align with holes in yoke-- make sure wires do not get twisted. Re-insert pin and clip that were previously removed. Tighten yoke set screws and nuts securely. [Refer to **diagram 2**.]

Remove canopy cover from underside of canopy by turning canopy cover counterclockwise. Slide yoke cover, canopy cover and canopy over downrod. [Refer to **diagram 3**.] (**Note:** Canopy cover must be turned with shiny side toward the motor housing.)

Thread safety cable and wires through hanging ball; then slide hanging ball over downrod. Re-insert stop pin into top of downrod and raise hanging ball. Be sure stop pin aligns with slots on the inside of the hanging ball. **Tighten set screw securely.** [Refer to **diagram 4**.]

⚠ WARNING: Failure to tighten set screw (on hanging ball) completely could result in the fan becoming loose and possibly falling.

["Fan Assembly" continued on next page.]

NOTE: The important safety precautions and instructions appearing in the manual are not meant to cover all possible conditions and situations that may occur. It must be understood that common sense and caution are necessary factors in the installation and operation of this fan.

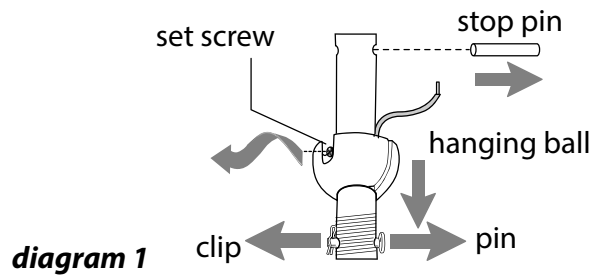


diagram 1

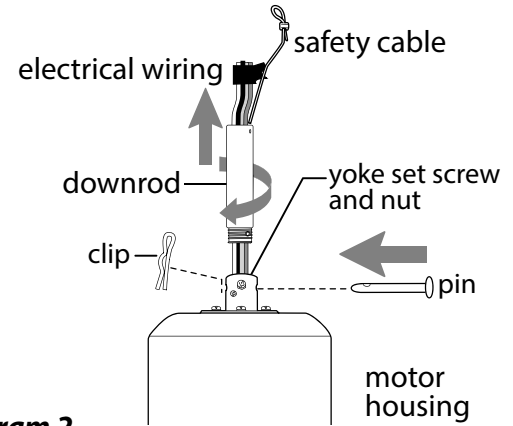


diagram 2

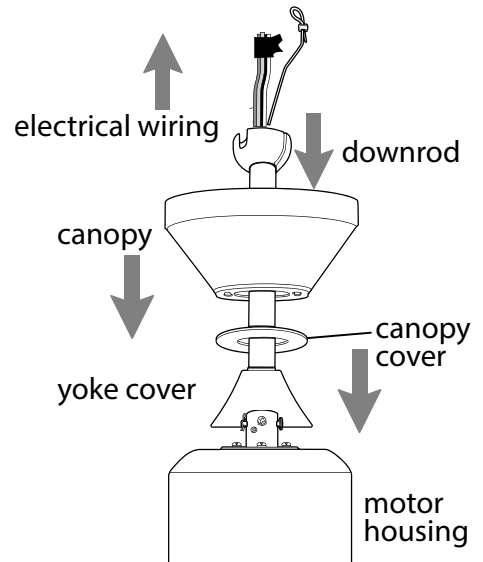


diagram 3

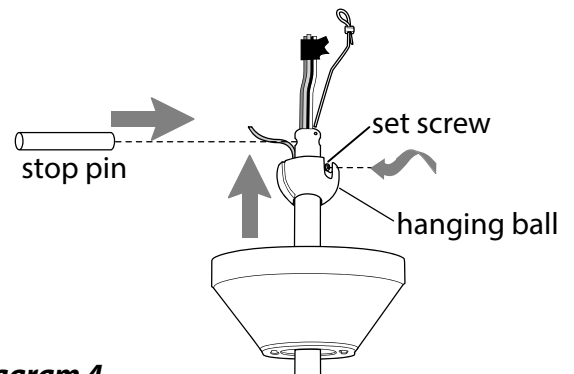


diagram 4

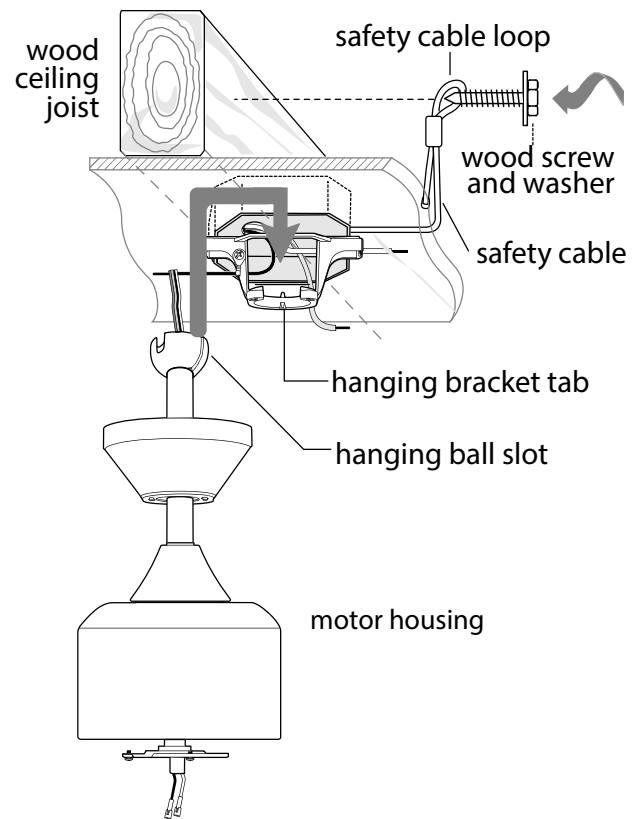
5. Fan Assembly. (cont.)

With the hanging bracket secured to the outlet box and able to support the fan, you are now ready to hang your fan. Grab the fan firmly with two hands. Slide downrod through opening in hanging bracket and let hanging ball rest on the hanging bracket. Turn the hanging ball slot until it lines up with the hanging bracket tab.

⚠ WARNING: Failure to align slot in hanging ball with tab in hanging bracket may result in serious injury or death.

Tip: Seek the help of another person to hold the stepladder in place and to lift the fan up to you once you are set on the ladder.

Find a secure attachment point (wood ceiling joist highly recommended) and secure safety cable. It will be necessary to use a heavy duty wood screw, washer and lock washer (not supplied) with the safety cable loop. If necessary, adjust the loop at the end of the safety cable. The loop at the end of the safety cable should just fit over the threads on the wood screw. *Test safety cable by pulling on loose end with pliers. If the safety cable slips, the loop must be adjusted tighter.* Extra cable slack can be left in ceiling area.



6. Wiring.

⚠ WARNING: Turn off circuit breakers to current fixture from breaker panel and be sure switch is turned to the OFF position.

⚠ CAUTION: Be sure outlet box is properly grounded and that a ground wire (**GREEN** or **BARE**) is present.

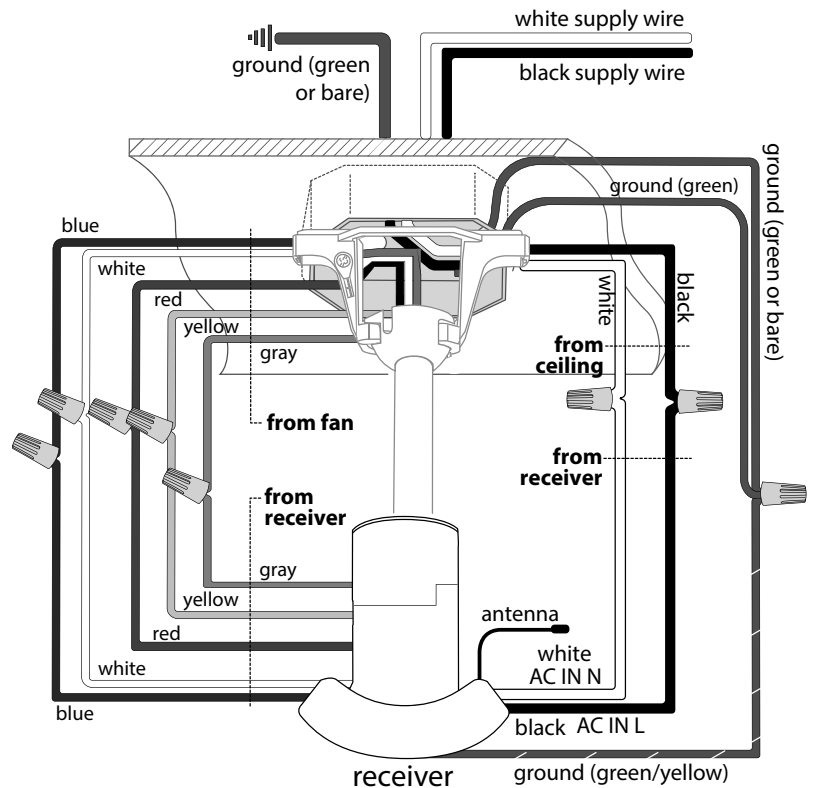
Make sure all electrical connections comply with Local Codes or Ordinances and the National Electrical Code. If you are unfamiliar with electrical wiring or if the house/building wires are different colors than those referred to in the diagram to the right, please use a qualified electrician.

Note: Excess lead wire length from the fan can be cut to the desired length and then stripped.

When downrod is secured in place on the hanging bracket, **WIRE THE RECEIVER** with wire connectors provided as shown in diagram at right. **Tip:** While you are wiring, keep in mind that wires must not obstruct receiver from sliding into hanging bracket.

* Wrap each wire connector separately with electrical tape as an extra safety measure.

Gently insert receiver (flat side up) into hanging bracket and carefully push taped wire connectors into outlet box. Allow antenna from remote control receiver to hang outside of hanging bracket.



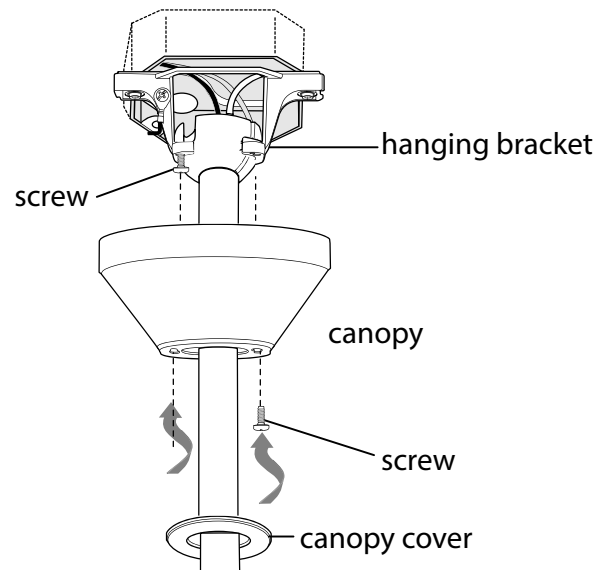
(wiring for receiver)



7. Canopy Assembly.

Locate 2 screws on underside of hanging bracket and remove screw closest to the open end of the hanging bracket. Partially loosen the other screw. Lift canopy to hanging bracket. Place rounded part of slotted hole in canopy over loosened screw in hanging bracket and push up. Twist canopy to lock. Re-insert screw that was removed and then tighten both screws securely.

Slide canopy cover up to canopy, aligning rounded part of slotted holes in canopy cover with screwheads in bottom of canopy. Turn canopy cover to the right (clockwise) until it stops.

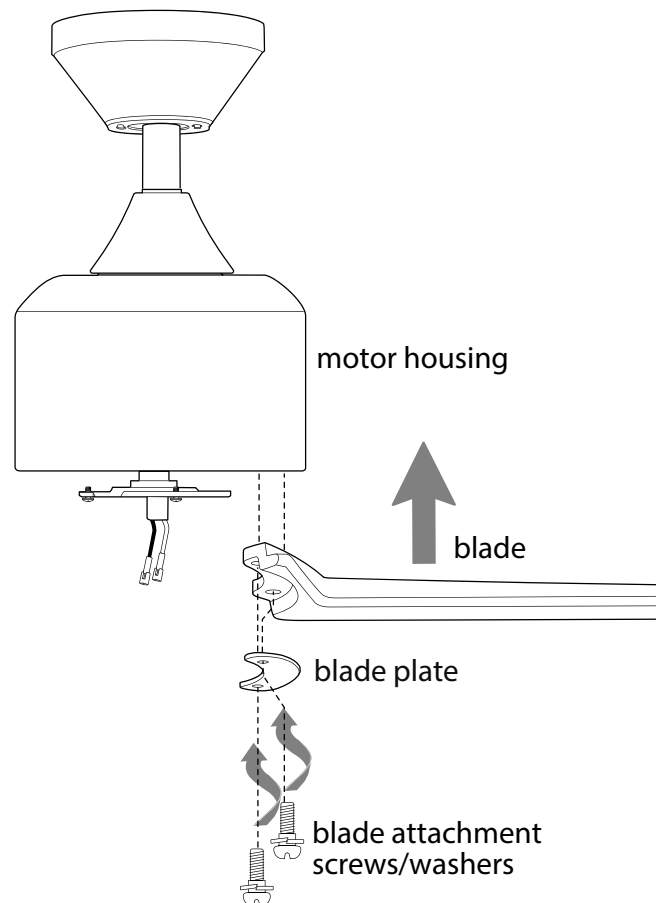


8. Blade Assembly.

⚠ WARNING: To reduce the risk of serious bodily injury, DO NOT use power tools to assemble the blades. If overtightened, blades may crack and break.

Locate 8 blade attachment screws/washers in hardware pack. Align blade holes with motor screw holes (located on the underside of the motor housing) -- refer to drawing at right. [**IMPORTANT:** Turn blade so imprint indicating *THIS SIDE UP* faces motor housing.] Hold 1 blade plate up to a blade aligning holes as shown. Insert 2 blade attachment screws/washers with fingers first and then tighten screws securely with a Phillips screwdriver. Repeat procedure for each remaining blades.

NOTE: Tighten blade attachment screws twice a year.



9. Light Kit Assembly (Optional).

Remove 1 screw from motor plate on underside of motor housing and partially loosen the other 2 screws. Align slotted holes in fitter plate with loosened screws in motor plate, allowing mox connections from motor housing to come through holes in middle of fitter plate. Twist fitter plate to lock. Re-insert screw that was just removed and securely tighten all 3 screws with a Phillips screwdriver.

Remove 1 screw from underside of fitter plate and partially loosen the other 2 screws.

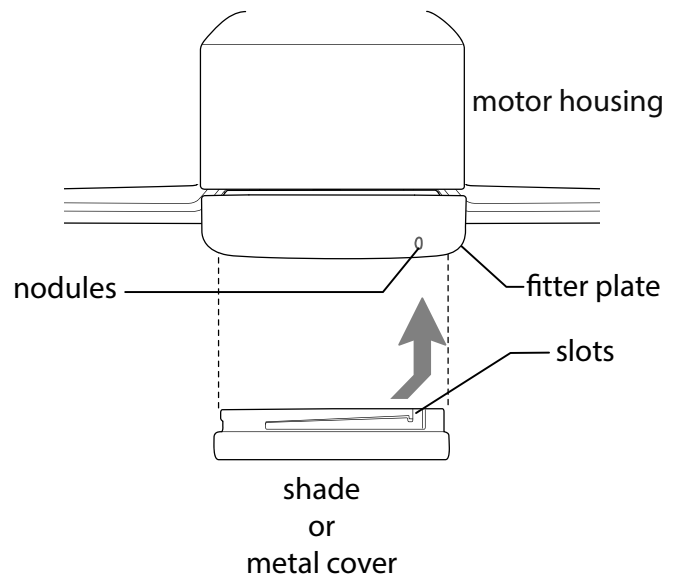
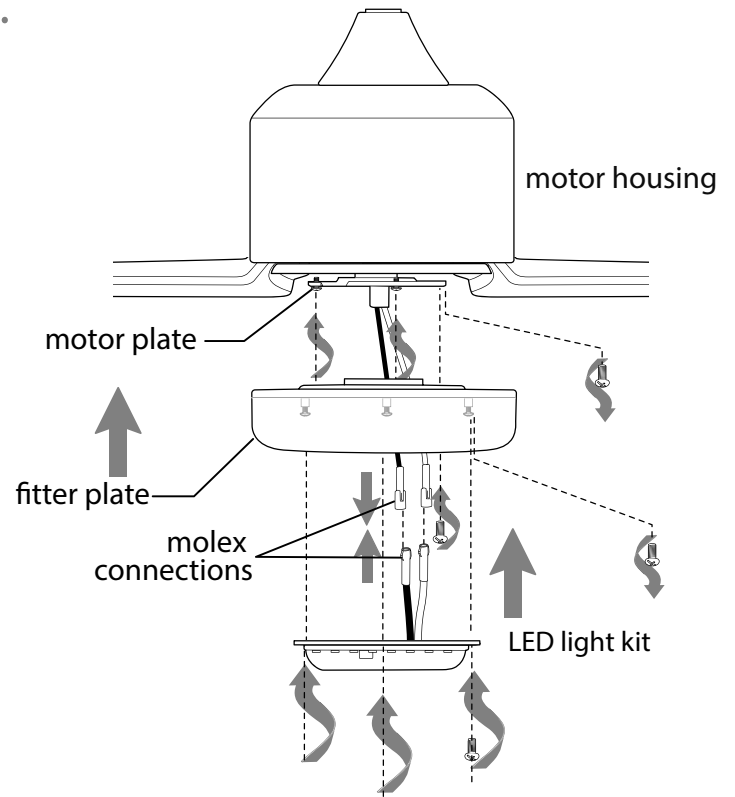
Connect **WHITE** wire from LED light kit to **WHITE** wire from motor housing. Connect **BLUE** (or **BLACK**) wire from LED light kit to **BLUE** wire from motor housing. Be sure that mox connections snap together completely.

Carefully arrange wiring within fitter plate. Align slotted holes in LED light kit with loosened screws in fitter plate. Twist LED light kit to lock. Re-insert screw that was previously removed and tighten all 3 screws securely.

Locate slots on shade and align with nodules on inside of fitter plate. Gently push up on shade and turn to the **RIGHT** (clockwise) until it slides completely into place.

If you do NOT wish to use the light kit, locate slots on metal cover and align with nodules on inside of fitter plate. Gently push up on metal cover and turn to the **RIGHT** (clockwise) until it slides completely into place.

⚠ WARNING: Metal cover will be **HOT** if light is left on.



10. Remote Control Operation.

Remote control and receiver are pre-programmed.

Remove battery cover on back side of remote control transmitter. Install one 12-volt battery (included).

⚠ WARNING: Battery is to be inserted with the correct polarity.

Replace the battery cover. Restore electrical power. Test the light and fan functions to confirm the programming process is complete--see Section 11.

NOTE: Remove battery with low or no charge and dispose of properly.

IMPORTANT: Store the remote control transmitter away from excess heat or humidity. To prevent damage to remote control transmitter, remove the battery if remote control transmitter will not be used for long periods.

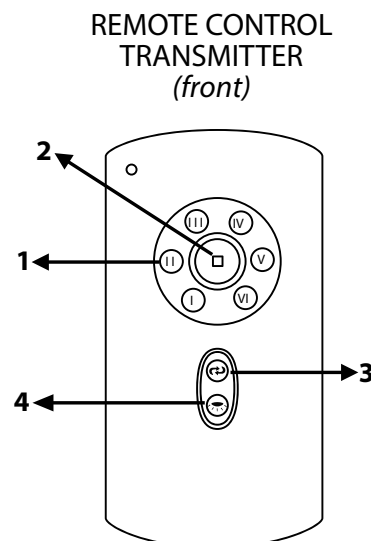
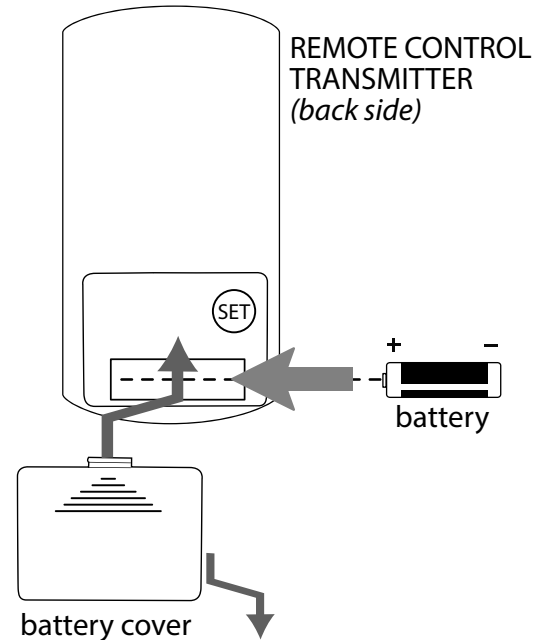
⚠ CAUTION: "DO NOT DISPOSE OF BATTERIES IN FIRE, BATTERIES MAY EXPLODE OR LEAK." - When disposing of household alkaline batteries, it is best to check with your local and state recycling or household hazardous waste coordinators concerning the specifics of the program in your area. You may also locate a recycling center by calling 800-8-BATTERY or 877-2-RECYCLE or visit www.epa.gov/epawaste/index.htm or www.earth911.org for more information.

⚠ WARNING: Choking/Ingestion Hazard - Small parts. Keep battery away from children.


⚠ WARNING: Battery is NOT rechargeable. A non-rechargeable battery is not to be recharged.


Operation buttons on front panel of remote control transmitter:

- Buttons I - VI (1): To control *fan speed*
- button (2): To turn *fan off*
- ↻ button (3): To control *fan rotation*
- ☀ button (4): To control *light brightness*

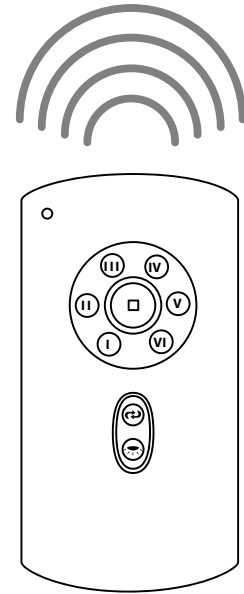


11. Testing Your Fan.

It is recommended that you test fan before finalizing installation. Restore power from circuit box and wall switch (if applicable). Test fan speeds with the different fan speed buttons (I - VI) on remote control transmitter. Test the light ON/OFF function by pressing the  button. If the remote control transmitter operates all of the functions of the fan, battery has been installed correctly. If the remote control transmitter does not operate all of the fan functions, refer to "Troubleshooting" section to solve any issues before contacting Customer Service.

Fan must be on LOW before setting the fan in reverse. Use  button to recirculate air depending on the season. A ceiling fan will allow you to raise your thermostat setting in summer and lower your thermostat setting in winter without feeling a difference in your comfort.

NOTE: If the remote control transmitter interferes with other appliances, *turn the power off first*. Then, follow instructions in Section 12 below to activate a new code in the remote control transmitter.



12. Programming Fan./Activating a New Code.

⚠ CAUTION: The remote control transmitter can be programmed to multiple receivers or fans. If this is not desired, turn wall switch off to any other programmable receiver or fan.

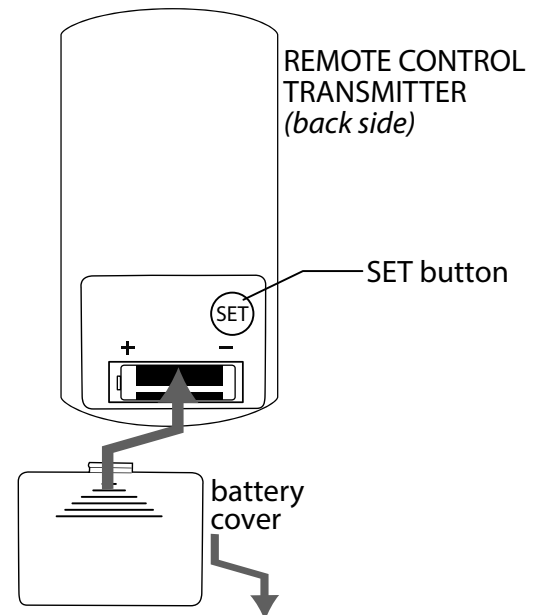
If fan and/or remote control transmitter fail(s) to operate or you have purchased a new remote control transmitter, make sure to turn the power off first. Remove battery cover on back side of remote control transmitter. If you have not already installed a battery, install one 12-volt battery (included). [For battery installation and all WARNINGS pertaining to the battery, see Section 10 on page 10.]

⚠ WARNING: Battery is to be inserted with the correct polarity.

Restore electrical power. Within 60 seconds of restoring the power, press and hold the fan **SET** button for 5 seconds or until light blinks 3 times. Replace the battery cover.

Test the light and fan functions to confirm the programming process is complete--see "Testing Your Fan" (Section 11 above).

IMPORTANT: *The Programming Process takes approximately 5 minutes to complete.* Please **leave the fan "ON"** for the duration of the 5-minute programming and **do NOT use the remote control or turn off the power** during this time. The fan will **cycle through ALL SIX (6) speeds in forward and reverse and will then stop automatically** after the programming process is complete.



Troubleshooting.

⚠ WARNING: Failure to disconnect power supply prior to troubleshooting any wiring issues may result in serious injury.

Problem: Fan fails to operate.

Solutions:

1. Check wall switch to fan.
2. Verify fan is wired properly.
3. Programming process between fan and remote control transmitter may not have been successful and code was not activated. Turn off power and follow instructions in Section 12 (page 11).
4. Check that light on remote control turns on when a button is pressed indicating that the battery is good.
5. Verify receiver is wired properly.
6. Verify mox connections in LED light kit are connected properly.

Problem: Light not lighting (if applicable).

Solutions:

1. Check wall switch to fan.
2. Verify wires in canopy are wired properly.
3. Verify mox connections in LED light kit are connected properly.
4. Programming process between fan and remote control transmitter may not have been successful and code was not activated. Turn off power and follow instructions in Section 12 (page 11).

Problem: Fan and light fail to operate with remote control transmitter.

Solutions:

1. Check battery power in remote control transmitter.
2. Programming process between fan and remote control transmitter may not have been successful and code was not activated. Turn off power and follow instructions in Section 12 (page 11).

Problem: Fan wobbles.

Solutions:

1. Use the balancing kit provided in one of the hardware packs. *If no blade balancing kit is provided, please call Customer Support, 800-486-4892, to request one.*
2. Verify set screw(s) on motor housing yoke is (are) tightened securely.
3. Verify set screw on hanging ball is tightened securely.

Warranty.

All products are designed to be sold in North America with 120 Volt / 60 Hz electric grid.

CRAFTMADE LIMITED LIFETIME WARRANTY:

CRAFTMADE warrants this fan for use as intended under the following provision: CRAFTMADE will replace any fan which has faulty performance due to a defect in material or workmanship or fails to operate satisfactorily when failure results from normal use. Contact Craftmade Customer Service at **800-486-4892, Option 1** or via email at customerservice@craftmade.com.

In the event a product is no longer available, CRAFTMADE will make best efforts to offer a comparable product or credit towards another CRAFTMADE fan.

The purchaser shall be responsible for all costs incurred in the removal and reinstallation.

This warranty does not apply when damage from mechanical, physical, electrical or water abuse results in causing the malfunction. Deterioration of finishes or other parts due to time or exposure to salt air is specifically exempted under this warranty. Shades and light bulbs are not covered by this warranty but will be replaced if found broken at time of purchase.

Neither CRAFTMADE nor the manufacturer will assume any liability resulting from improper installation or use of this product. In no case shall the company be liable for any consequential damages for breach of this, or any other warranty expressed or implied whatsoever. This limitation as to consequential damages shall not apply in states where prohibited.

Parts, Replacement or Technical Assistance.

For parts, replacement, technical assistance or additional information, please have the fan model number, name or picture available and contact Craftmade in one of the following ways:

Customer Support:

800-486-4892, Option 1

Technical Support:

800-486-4892, Option 2

Email:

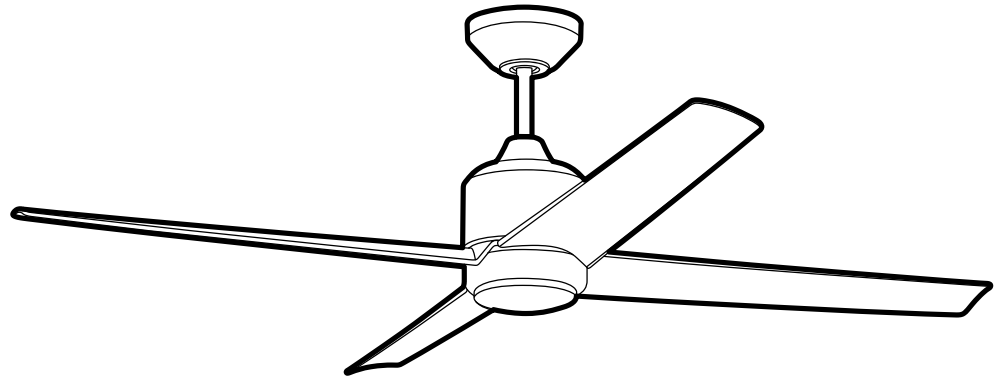
customerservice@craftmade.com

www.craftmade.com

CRAFTMADE™

CRAFTMADE™

LEER ESTAS INSTRUCCIONES Y
GUARDARLAS PARA UTILIZACIÓN FUTURA



Quell

Guía de instalación

Para modelo:
QUL52-NWF

! **ADVERTENCIA:**
El motor de corriente
continua no funcionará
hasta que las aspas
estén instaladas

**Se programaron de
antemano el control
remoto y el receptor**



Intertek
4007498

APROBADO PARA USO
EN LUGAR HÚMEDO

Índice de materias:

- Sugerencias de seguridad. Pág. 2
- Desempaquetado del ventilador. Pág. 3
- Inventario de piezas. Pág. 3
- Preparación para la instalación. Pág. 4
- Instalación del soporte de montaje. Pág. 4
- Ensamblaje del ventilador. Pags. 5 - 6
- Instalación eléctrica. Pág. 7
- Colocación de la cubierta decorativa. Pág. 8
- Colocación de las aspas. Pág. 8
- Instalación del juego de luz (opcional). Pág. 9
- Funcionamiento del control remoto. Pág. 9
- Verificación del funcionamiento del ventilador. Pág. 10
- Programación del ventilador./Activar un código nuevo. Pág. 10
- Localización de fallas. Pág. 11
- Garantía. Pág. 11
- Piezas, reemplazo o asistencia técnica. Pág. 11

peso neto del ventilador: 5.38 kg (11.86 lb)

SUGERENCIAS DE SEGURIDAD.

LEER TODAS LAS INSTRUCCIONES E INFORMACIÓN DE SEGURIDAD CUIDADOSAMENTE ANTES DE INSTALAR SU VENTILADOR Y GUARDAR ESTAS INSTRUCCIONES.

ADVERTENCIA

- Para evitar la posibilidad de una descarga eléctrica, desconectar la corriente en la caja de fusibles principal o el interruptor protector antes de iniciar la instalación del ventilador o antes de repararlo o instalar accesorios.
- Para reducir el riesgo de incendio, descarga eléctrica o daño corporal, instalar en una caja de salida marcada "Aceptable para sostener ventilador de 15.9 kg (35 lb) o menos" ["Acceptable for Fan Support of 15.9 kg (35 lb) or less"] y utilizar los tornillos proporcionados con la caja de salida. La mayoría de las cajas de salida que normalmente se usan para sostener los aparatos de alumbrado no siempre son apropiadas para sostener ventiladores y es posible que las tenga que reemplazar. En caso de duda, consultar con un electricista calificado.
- Para reducir el riesgo de incendio, descarga eléctrica o daño corporal, los conectores para cable provistos con este ventilador son diseñados para aceptar sólo un cable de calibre 12 de la casa y dos cables principales del ventilador. Si el calibre del cable de la casa es superior al 12 o hay más de un cable de la casa para conectar a los cables principales del ventilador al cual corresponda cada uno, consultar con un electricista para informarse sobre el tamaño correcto de conectores para cable que se debe usar.
- Para reducir el riesgo de incendio o una descarga eléctrica, no usar el ventilador con ningún control de velocidad de estado sólido ni controlar la velocidad del ventilador con un interruptor con reductor de luz de gama completa. [El usar un interruptor con reductor de luz de gama completa para controlar la velocidad del ventilador causará un zumbido recio del ventilador.]
- Para reducir el riesgo de daño corporal, no doblar las aspas durante el ensamblaje ni después de la instalación. No introducir ningún objeto entre las aspas mientras estén rotando.
- Para reducir el riesgo de lesiones corporales graves, NO utilizar herramientas eléctricas para ensamblar las piezas del ventilador, incluso las aspas.
- Para reducir el riesgo de daño corporal o algún daño al ventilador o a cualquier otra cosa, tener cuidado al estar trabajando alrededor del ventilador o limpiándolo.
- Este ventilador DEBE instalarse con el cable de seguridad provisto. Si no se utiliza el cable de seguridad provisto, se pueden producir lesiones personales, daños al ventilador o a otras propiedades.
- La cubierta de metal que es para uso sin el juego de luz se CALENTARÁ si la luz se queda prendida. Para reducir el riesgo de daño corporal, el juego de luz debe estar APAGADO o DESCONECTADO antes de instalar la cubierta de metal.
- Para reducir el riesgo de daño corporal, usar **sólo** las piezas provistas con este ventilador. **Al usar piezas DISTINTAS a las provistas con este ventilador se invalidará la garantía.**

PRECAUCIÓN

- Para reducir el riesgo de daño corporal, es posible que sea necesario usar guantes al manejar las piezas del ventilador que tengan bordes afilados.
- NO manipular ni intentar reparar el componente LED de la lámpara. La fuente de luz está diseñada para esta aplicación específica y el mantenimiento no debe estar a cargo de personal sin capacitación. De ser necesario algún tipo de mantenimiento, llamar a nuestro departamento de Servicio al cliente.
- Los cambios o las modificaciones no aprobadas por la parte responsable de la conformidad podrían invalidar la autorización del usuario para manejar el equipo. [El equipo se refiere al control remoto y/o el control de pared y/o el juego de luz LED.]
NOTA: este equipo se ha probado y se ha verificado que cumple los límites para un dispositivo digital clase B, conforme a la sección 15 de las reglas de la Comisión Federal de Comunicaciones (FCC, por sus siglas en inglés). Estos límites están diseñados para proporcionar protección razonable contra interferencias perjudiciales en una instalación residencial. Este equipo genera, utiliza y puede irradiar energía de radiofrecuencia y, si no se instala y se usa de acuerdo con las instrucciones, puede causar interferencia perjudicial para las comunicaciones de radio. Sin embargo, no se garantiza que no se producirán interferencias en una instalación en particular. Si este equipo genera una interferencia perjudicial para la recepción de radio o televisión, que se puede determinar al encender y apagar el equipo, se recomienda al usuario que intente corregir la interferencia con una o más de las siguientes medidas:
 - * Reorientar o reubicar la antena de recepción.
 - * Aumentar la separación entre el equipo y el receptor.
 - * Conectar el equipo a una salida en un circuito diferente de aquel al que el receptor está conectado.Consultar al distribuidor o a un técnico especializado en televisión y radio para obtener ayuda.
- El juego de luz LED cumple con la sección 15 de las reglas de la FCC. Se sujeta el funcionamiento a las dos condiciones siguientes: (1) este juego de luz LED no puede causar una interferencia perjudicial, (2) este juego de luz LED tiene que aceptar cualquier interferencia recibida, inclusive interferencia que puede producir un funcionamiento indeseado.

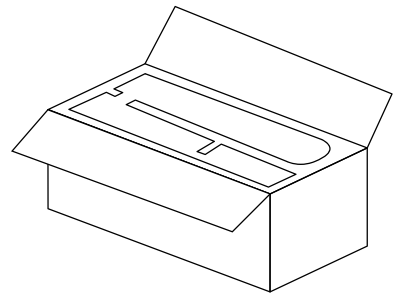
1. Asegurarse de que todas las conexiones eléctricas cumplan con los Códigos o las Ordenanzas Locales, el Código Nacional Eléctrico y ANSI/NFPA 70-1999. Si usted no está familiarizado con el alambrado eléctrico o los cables de la casa/el edificio son de colores diferentes a los cuales se refieren en las instrucciones, favor de buscar un electricista calificado.
2. Asegurarse de que haya localizado una ubicación para su ventilador que permite el espacio necesario para la rotación de las aspas, y por lo menos 2.13 metros (7 pies) de espacio libre entre el piso y las puntas de las aspas. Debe instalar el ventilador para que las puntas de las aspas queden a una distancia de por lo menos 76 centímetros (30 pulgadas) de las paredes y otras estructuras verticales.
3. La caja de salida eléctrica debe estar bien sujeta a la viga de soporte del techo y deben poder sostener por lo menos 16 kilogramos (35 libras). La caja de salida debe tener apoyo directo de la estructura del edificio. Sólo usar cajas de salida registradas con CETL o CUL en Canadá o ETL o UL en EEUU que indican que "sirven para ventilador" ("FOR FAN SUPPORT" en inglés).
4. Los diagramas eléctricos son únicamente para referencia.
5. Después de haber terminado la instalación, asegurarse de que todas las conexiones estén totalmente seguras.
6. Después de haber terminado todas las conexiones eléctricas, los conductores empalmados deben ser volteados para arriba y colocados cuidadosamente dentro de la caja de salida. Los alambres se deben de separar con el conductor a tierra a un lado y el conductor a tierra del equipo al lado opuesto.
7. No utilizar el interruptor de reversa hasta que el ventilador se haya parado completamente. [Nota: si se usa un control remoto con capacidad de reversa, cambiar la dirección de las aspas sólo cuando el ventilador esté en velocidad BAJA.]
8. No utilizar agua ni detergentes para limpiar el ventilador ni las aspas. Usar un trapo seco o ligeramente húmedo para su limpieza general.
9. El juego de luz LED se puede regular al 10% con el control de pared proporcionado.

Distribuido por: Craftmade, 3901 S. 20th Avenue, DFW Airport, TX 75261; 800-486-4892

NOTA: no se debe concluir que las precauciones de seguridad importantes e instrucciones en este manual van a abarcar todas las condiciones y situaciones posibles que puedan ocurrir. Se debe entender que el sentido común y la precaución son factores necesarios en la instalación y la operación de este ventilador.

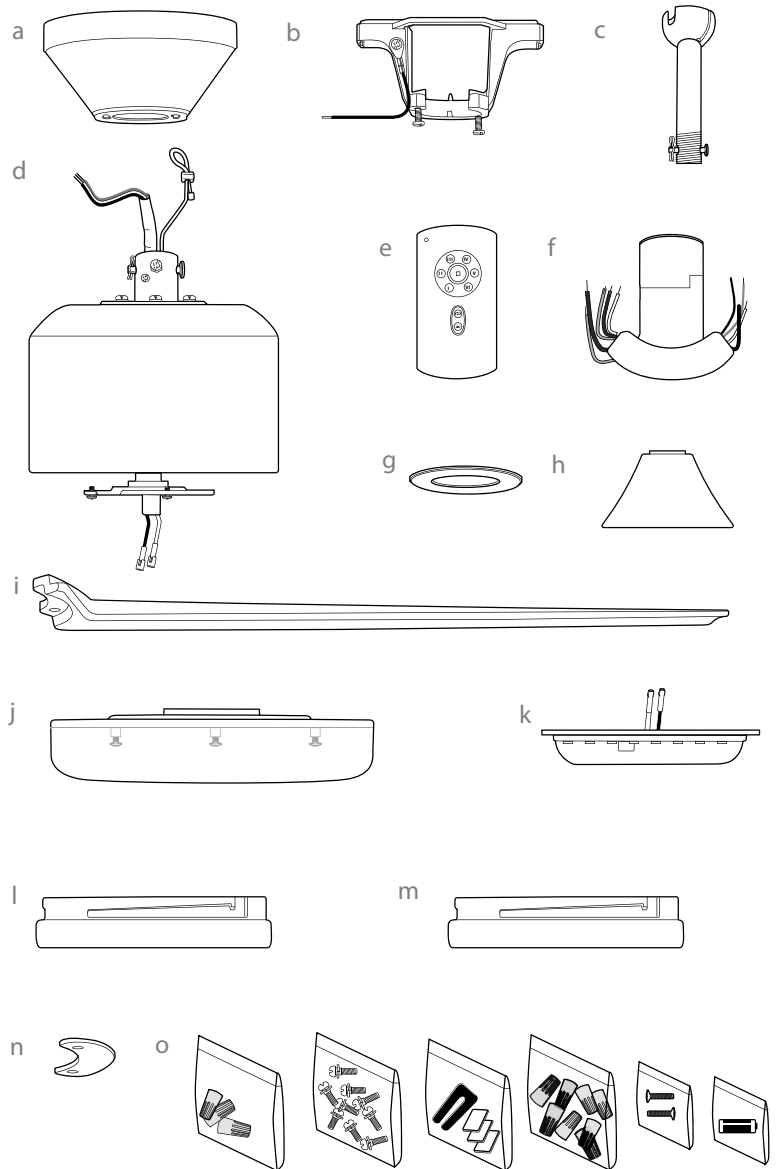
1. Desempaquetado del ventilador.

Abrir el empaque cuidadosamente. Sacar los artículos del embalaje. Sacar el motor y ponerlo en una alfombra o en el embalaje para evitar rayar el acabado. Guardar la caja de cartón o el empaquetamiento original en caso de que tenga que mandar el ventilador para alguna reparación. Comprobar las piezas del ventilador con el inventario de piezas y verificar que se incluyeron todas.



2. Inventario de piezas.

- a. cubierta decorativa. 1 unidad
- b. soporte de montaje. 1 unidad
- c. tubo y bola que sirve para colgar (con perno y clavija). 1 unidad
- d. bastidor del motor. 1 unidad
- e. control remoto. 1 unidad
- f. receptor del control remoto. 1 unidad
- g. tapa de la cubierta decorativa. 1 unidad
- h. cubierta del cuello. 1 unidad
- i. aspa. 4 unidades
- j. placa de conexión. 1 unidad
- k. juego de luz LED. 1 unidad
- l. pantalla. 1 unidad
- m. cubierta de metal. 1 unidad
- n. placa para el aspa. 4 unidades
- o. paquetes de artículos de ferretería



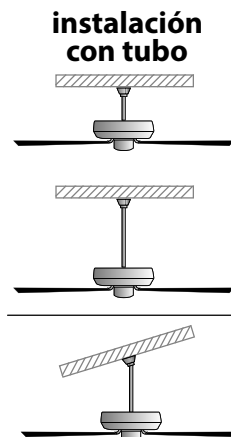
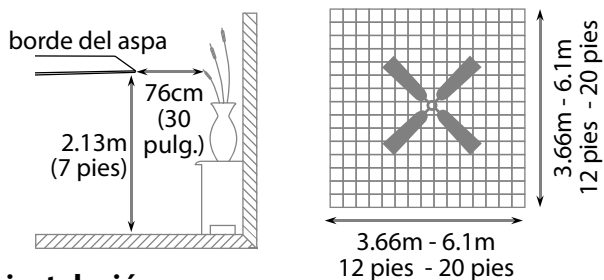
⚠ RECORDATORIO IMPORTANTE:
se tienen que utilizar las piezas provistas con este ventilador para una instalación adecuada y su seguridad. **⚠**

3. Preparación para la instalación.

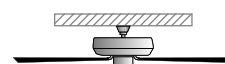
Para prevenir daño corporal y otros daños, estar seguro de que el lugar en donde va a colgar el ventilador le permite un espacio libre de 2.13m (7 pies) entre las puntas de las aspas y el piso y 76cm (30 pulg.) entre las aspas y cualquier pared u otra obstrucción. Este ventilador es adecuado para habitaciones hasta 37.2 metros cuadrados (400 pies cuadrados).

Se puede colgar este ventilador **con tubo** en un techo regular (sin inclinación) o abovedado. La longitud colgante se puede extender comprando un tubo más largo (con diámetro de 1.27cm/0.5 pulg.). No hay ningún otro tipo de instalación, como **al ras con el techo**, disponible para este ventilador.

Se necesitan las herramientas siguientes para la instalación: destornillador de estrella Phillips, destornillador de paleta (plano), alicates ajustables o llave de tuercas, escalera de tijera, cortaalambres y cinta aisladora.



instalación al ras con el techo



El ángulo de inclinación de un techo abovedado no puede exceder los 25 grados.

4. Instalación del soporte de montaje.

Apagar los cortacircuitos en el panel de electricidad que suplen corriente a la caja de salida y asegurarse de que el interruptor de luz esté APAGADO.

⚠️ ADVERTENCIA: *el no desconectar el suministro de fuerza antes de la instalación puede tener por resultado lesiones graves.*

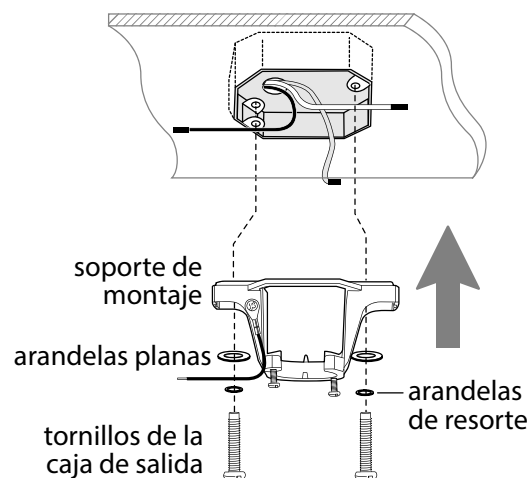
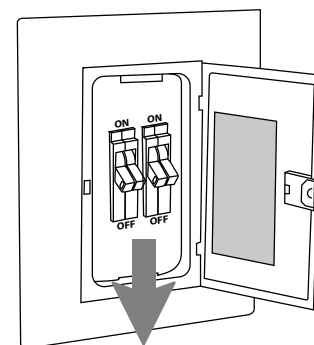
Quitar el aparato existente.

⚠️ ADVERTENCIA: *si utiliza una caja de salida existente, asegurarse de que la caja de salida esté firmemente conectada a la estructura del edificio y que sea capaz de sostener el peso total del ventilador. Asegurarse de que la caja de salida indique claramente que "Sirve para ventilador" (FOR FAN SUPPORT); si no, se debe reemplazar con una caja de salida aprobada. El no hacer el cambio si es necesario puede resultar en lesiones graves.*

⚠️ PRECAUCIÓN: *asegurarse de que la caja de salida esté conectada a tierra correctamente y que haya un conductor a tierra (cable VERDE o PELADO).*

Instalar el soporte de montaje utilizando los tornillos originales, las arandelas de resorte y las arandelas planas de su nueva o existente caja de salida.* Si hace la instalación en un techo abovedado, colocar el soporte de montaje con la abertura dirigida hacia la parte alta del techo. Arreglar el alambrado eléctrico (los cables) en la parte de atrás del soporte y lejos de la abertura del soporte.

***NOTA:** *es muy importante usar los artículos de ferretería correctos al instalar el soporte de montaje puesto que sirve para sostener el ventilador.*



5. Ensamblaje del ventilador.

Quitar la bola que sirve para colgar del tubo provisto aflojando el tornillo de fijación de la bola que sirve para colgar. Quitar el perno y la clavija. Bajar la bola que sirve para colgar y sacar el perno de tope y luego quitar la bola que sirve para colgar deslizándola. [Referirse al **diagrama 1**]

IMPORTANTE: NUNCA retire el tornillo de fijación de la bola que sirve para colgar. El agujero diminuto en el tubo no es para el tornillo de fijación. [Referirse al **diagrama 1**]

Aflojar los tornillos de fijación del cuello y las tuercas en la parte superior del bastidor del motor. [Referirse al **diagrama 2**]

Sugerencia: para preparar los cables para pasarlos por el tubo, poner un pedacito de cinta aisladora en la punta de los cables—esto mantendrá los cables juntos al pasarlos por el tubo. [Referirse al **diagrama 2**]

Determinar el largo del tubo que desea usar. Pasar los cables del ventilador y el cable de seguridad a través del extremo del tubo que tenga rosca y, con cuidado, jalar el cableado en exceso por la parte de arriba del tubo. [Referirse al **diagrama 2**]

Enroscar el tubo en el cuello del bastidor del motor hasta alinearse los agujeros para el perno y la clavija en el tubo con los del cuello—asegurarse de que no se tuerzan los cables. Volver a introducir el perno y la clavija que se quitaron anteriormente. Apretar los tornillos de fijación del cuello y la tuerca completamente. [Referirse al **diagrama 2**]

Quitar la tapa de la cubierta decorativa de la cubierta decorativa girándola en sentido contrario al del reloj. Deslizar la cubierta del cuello, la tapa de la cubierta decorativa y la cubierta decorativa por el tubo. [Referirse al **diagrama 3**] (**Nota:** se tiene que voltear la tapa de la cubierta decorativa para que el lado brillante dé al bastidor del motor.)

Pasar el cable de seguridad y los cables por la bola que sirve para colgar; luego deslizar la bola que sirve para colgar sobre el tubo. Volver a introducir el perno de tope en la parte de arriba del tubo y subir la bola que sirve para colgar. Asegurarse de que el perno de tope se ponga en línea con las ranuras dentro de la bola que sirve para colgar. **Apretar bien el tornillo de fijación.** [Referirse al **diagrama 4**]

⚠ ADVERTENCIA: si no se aprieta bien el tornillo de fijación (en la bola que sirve para colgar) es posible que se afloje el ventilador y que se caiga.

[El "Ensamblaje del ventilador" continúa en la página siguiente.]

NOTA: no se debe concluir que las precauciones de seguridad importantes e instrucciones en este manual van a abarcar todas las condiciones y situaciones posibles que puedan ocurrir. Se debe entender que el sentido común y la precaución son factores necesarios en la instalación y la operación de este ventilador.

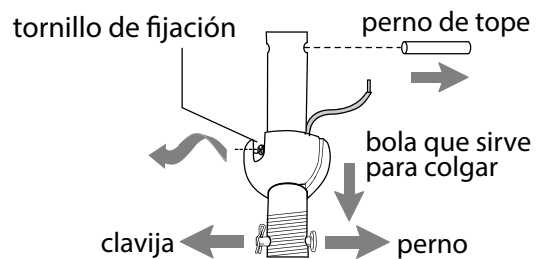


diagrama 1

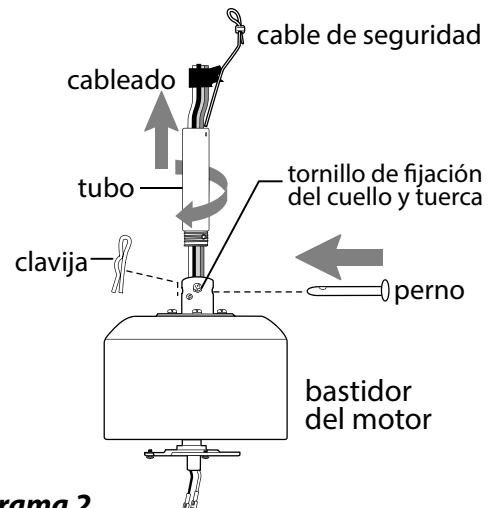


diagrama 2

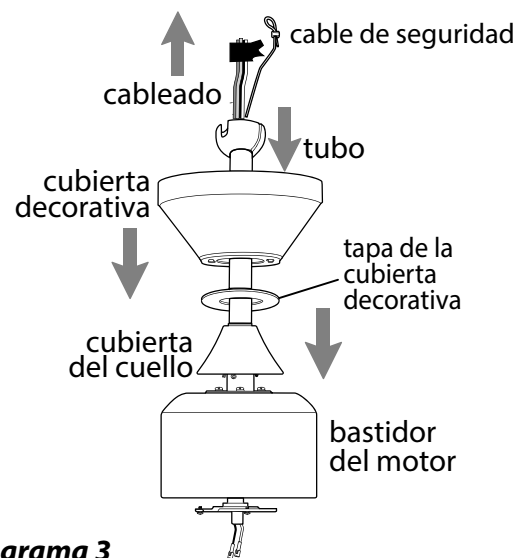


diagrama 3

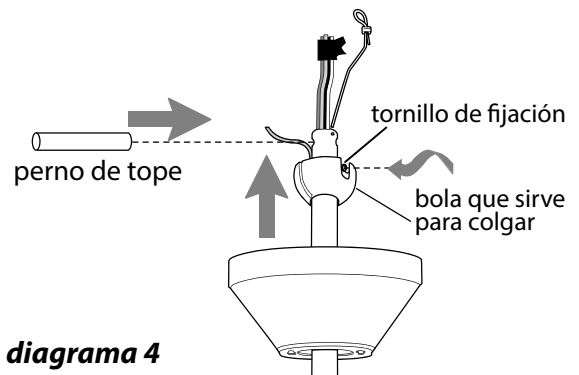


diagrama 4

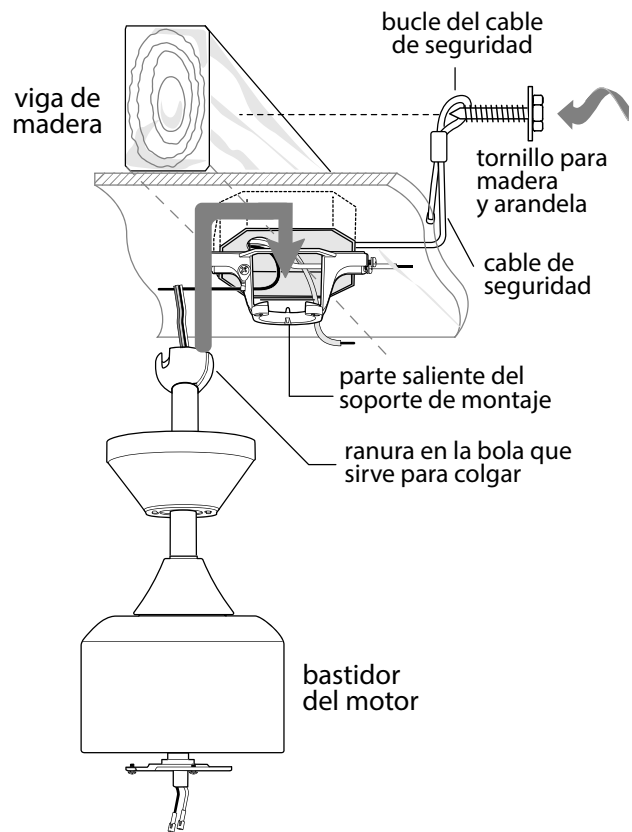
5. Ensamblaje del ventilador. (cont.)

Ya que esté sujetado el soporte de montaje a la caja de salida y capaz de apoyar el ventilador, usted está listo para colgar el ventilador. Agarrar el ventilador firmemente con las dos manos. Deslizar el tubo por la abertura del soporte de montaje y dejar que se detenga la bola en el soporte de montaje. Girar la bola que sirve para colgar hasta que la ranura de la bola se alinee con la parte saliente del soporte de montaje.

⚠ ADVERTENCIA: el no alinear la ranura en la bola que sirve para colgar con la parte saliente del soporte de montaje puede causar lesiones graves o la muerte.

Sugerencia: solicitar ayuda de otra persona para mantener sujeta la escalera y para que le suba el ventilador cuando usted ya esté preparado en la escalera para colgarlo.

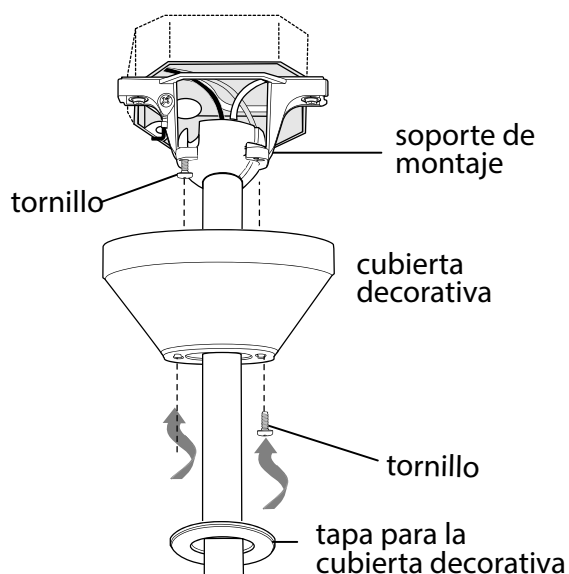
Encontrar un punto de acoplamiento seguro (se recomienda la viga de madera en el techo) y asegurar el cable de seguridad. Utilizar tornillo para madera para trabajos pesados, arandela y arandela de seguridad (no provistos) en el bucle del cable de seguridad. Si es necesario, ajuste el bucle en el extremo del cable de seguridad. El bucle en el extremo del cable de seguridad debe ser de tal tamaño que pase justo sobre la punta de la parte roscada del tornillo para madera. *Poner el cable a prueba jalando con alicate la parte suelta en la punta del cable. Si el cable se desliza o se reduce el bucle del cable por donde pasa el tornillo, hay que ajustar el bucle de nuevo.* Se puede poner el cable en exceso en el área del techo.



7. Colocación de la cubierta decorativa.

Localizar los 2 tornillos en la parte inferior del soporte de montaje. Quitar el tornillo que está localizado más cerca del extremo abierto del soporte de montaje y aflojar parcialmente el otro tornillo. Elevar la cubierta decorativa hasta el soporte de montaje. Poner la parte redondeada del agujero con ranura en la cubierta decorativa encima del tornillo aflojado en el soporte de montaje y empujar hacia arriba. Girar la cubierta decorativa para cerrarla. Volver a introducir el tornillo que se quitó y luego apretar bien ambos tornillos.

Subir la tapa para la cubierta decorativa hasta la cubierta decorativa, alineando la parte redondeada de los agujeros con ranura en la tapa para la cubierta decorativa con las cabezas de tornillo en el fondo de la cubierta decorativa. Girar la tapa de la cubierta decorativa hacia la derecha (en el sentido de las agujas del reloj) hasta que ya no gire.

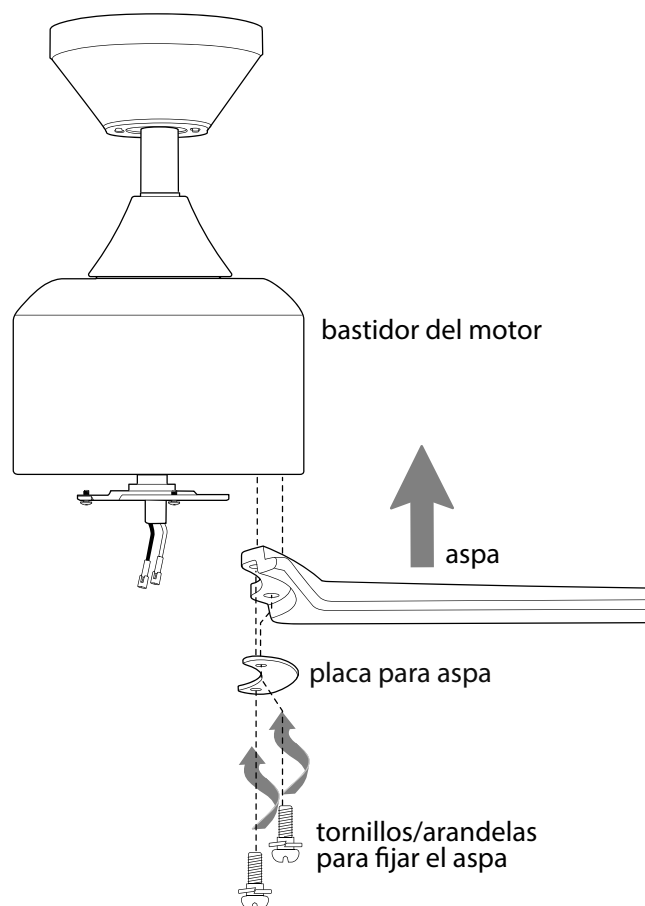


8. Colocación de las aspas.

⚠ ADVERTENCIA: para reducir el riesgo de lesiones corporales graves, NO utilizar herramientas eléctricas para ensamblar las aspas. Si aprieta demasiado los tornillos, las aspas podrían agrietarse y quebrarse.

Localizar los 8 tornillos/arandelas para fijar las aspas en uno de los paquetes de artículos de ferretería. Alinear los agujeros de una de las aspas con los agujeros en el motor (localizado en el lado inferior del bastidor del motor)--referirse al dibujo al lado. **[IMPORTANTE:** Voltrear el aspa para que la estampa que indica ESTE LADO HACIA ARRIBA esté orientada hacia el bastidor del motor.] Sujetar una placa para aspa contra el aspa, alineando los agujeros como se muestra. Introducir 2 tornillos/arandelas para fijar el aspa con los dedos primero y luego apretarlos bien con un destornillador de estrella Phillips. Repetir el procedimiento con las demás aspas.

NOTA: apretar los tornillos para las aspas dos veces al año.



9. Instalación del juego de luz (opcional).

Quitar 1 tornillo de la placa del motor en el lado inferior del bastidor del motor y aflojar los otros 2 tornillos. Alinear los agujeros con ranura en la placa de conexión con los tornillos aflojados en la placa del motor, dejando que las conexiones tipo "molex" del bastidor del motor pasen por el agujero de en medio de la placa de conexión. Girar la placa de conexión para cerrarlo. Volver a introducir el tornillo que apenas se quitó y apretar los 3 tornillos con un destornillador de estrella Phillips.

Quitar 1 tornillo del lado inferior de la placa de conexión y parcialmente aflojar los otros 2 tornillos.

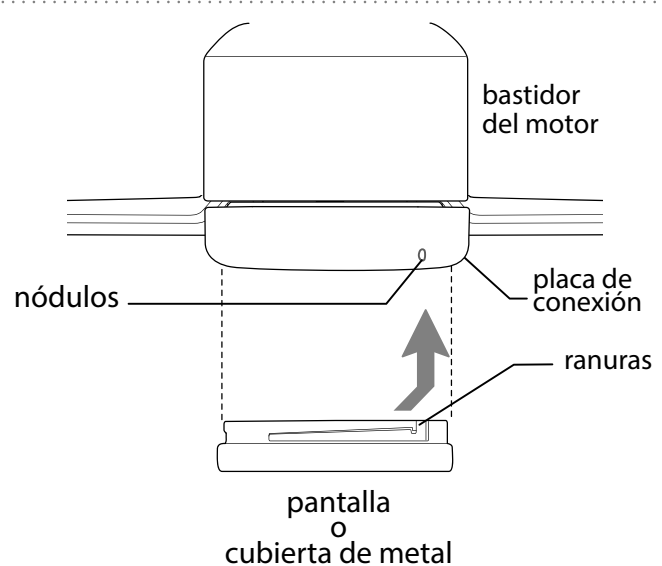
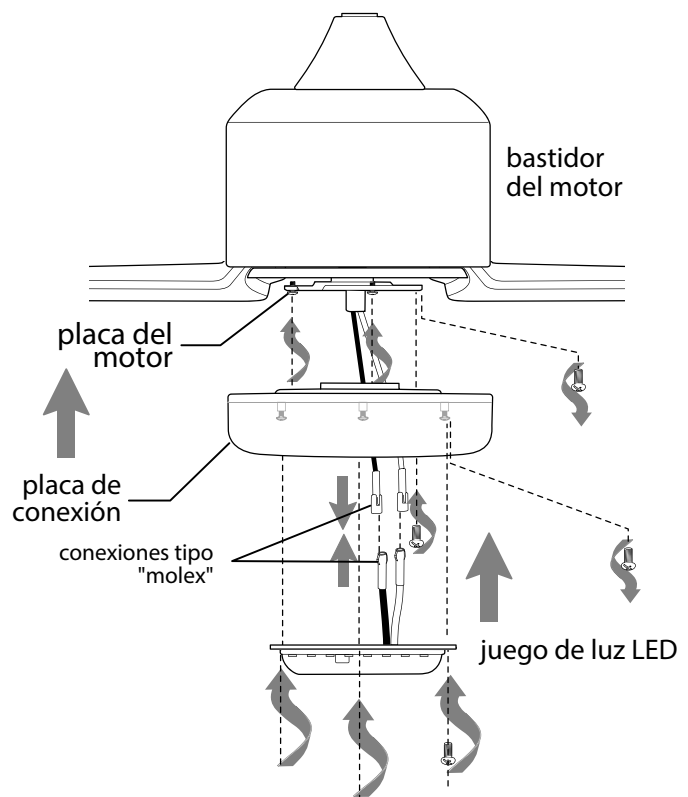
Conectar el cable **BLANCO** del juego de luz LED al cable **BLANCO** del bastidor del motor .
Conectar el cable **AZUL** (o **NEGRO**) del juego de luz LED al cable **AZUL** del bastidor del motor.
Asegurarse de que las conexiones tipo "molex" se cierren bien con un clic.

Con cuidado arreglar el cableado dentro de la placa de conexión. Alinear los agujeros con ranura en el juego de luz LED con los tornillos aflojados en la placa de conexión. Girar el juego de luz LED para cerrarlo. Volver a introducir el tornillo que se quitó anteriormente y apretar bien los 3 tornillos.

Localizar las ranuras en la pantalla y alinear los nódulos dentro de la placa de conexión. Empujar la pantalla delicadamente hacia arriba y girar la pantalla hacia la DERECHA (en sentido de las agujas del reloj) hasta que se quede encajada. .

Si NO desea utilizar el juego de luz LED, localizar las ranuras en la cubierta de metal y alinear los nódulos dentro de la placa de conexión. Empujar la cubierta de metal suavemente hacia arriba y girar la cubierta de metal hacia la DERECHA (en sentido de las agujas del reloj) hasta que se quede encajada.

⚠ ADVERTENCIA: la cubierta de metal se CALENTARÁ si la luz se queda prendida.



10. Funcionamiento del control remoto.

Se programaron de antemano el control remoto y el receptor.

Quitar la tapa de la batería en la parte de atrás del transmisor del control remoto. Instalar una batería de 12 voltios (incluida).

⚠️ ADVERTENCIA: la batería se debe introducir en la polaridad correcta.

Volver a poner la tapa de la batería. Volver a conectar la electricidad. Poner a prueba las funciones de luz y ventilador para confirmar que se haya terminado el proceso de programación--ver la sección 12..

NOTA: sacar la batería si está descargada o tiene poca carga y desecharla de manera apropiada.

IMPORTANTE: guardar el transmisor del control remoto lejos del calor excesivo o la humedad. Para prevenir daño al transmisor del control remoto, sacar la batería si no se va a utilizar por un tiempo extendido.

⚠️ PRECAUCIÓN: "NO ARROJAR LAS BATERÍAS AL FUEGO, PUEDEN EXPLOTAR O CHORREAR" - Antes de desechar baterías alcalinas domésticas, se recomienda consultar a los coordinadores de residuos domésticos peligrosos o de reciclaje locales y estatales para solicitarles información específica sobre el programa vigente en su zona. A su vez, puede localizar un centro de reciclaje llamando al 800-8-BATTERY o el 877-2-RECYCLE, o visitando la página www.epa.gov/epawaste/index.htm o www.earth911.org para obtener más información.

⚠️ ADVERTENCIA: *peligro de asfixia/ingestión* - Piezas pequeñas. Mantener la batería fuera del alcance de los niños.

⚠️ ADVERTENCIA: la batería NO es recargable. Una batería que no es recargable no se debe recargar.

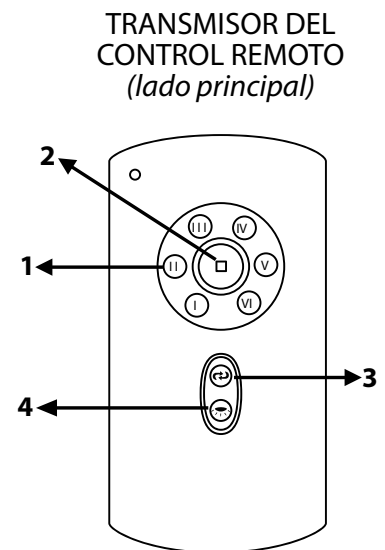
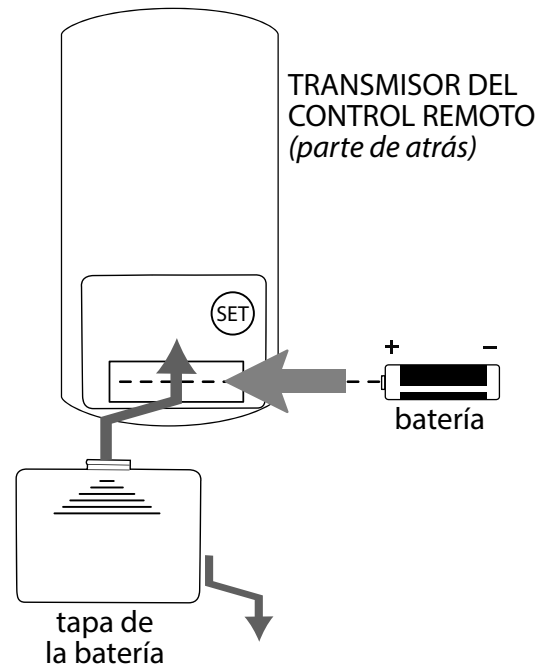
Los botones de funcionamiento que se encuentran el lado principal del transmisor del control remoto:

Botones del I - VI (1): para controlar la *velocidad del ventilador*


Botón de □ (2): para *apagar el ventilador*


Botón de ↻ (3): para controlar la *rotación del ventilador*

Botón de ☀️ (4): para controlar el *brillo de la luz*

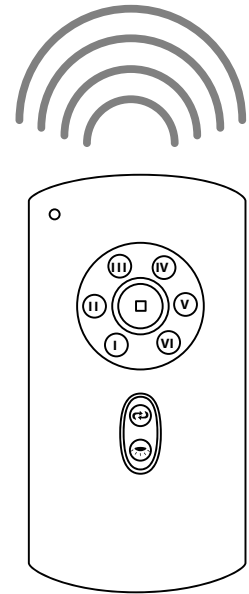


11. Verificación del funcionamiento del ventilador.

Se le recomienda poner el ventilador a prueba antes de terminar la instalación. Regresar la corriente de electricidad en el cortacircuitos y el interruptor de pared (si se aplica). Verificar las velocidades del ventilador con los diferentes botones de velocidad (I - VI) en el transmisor del control remoto. Poner a prueba la función de luz de APAGADO y ENCENDIDO con el botón . Si el transmisor del control remoto maneja todas las funciones de ventilador y luz, se ha instalado bien la batería. Si el transmisor del control remoto no controla todas las funciones del ventilador y la luz, favor de referirse a la sección "Localización de fallas" para resolver cualquier asunto antes de comunicarse con el Servicio al cliente.

Hay que poner el ventilador en posición BAJA antes de poner el ventilador en reversa. Usar el botón  para que circule bien el aire dependiendo de las estaciones del año. Un ventilador de techo le permitirá subir el termostato en verano y bajarlo en invierno sin notar una diferencia en su comodidad.

NOTA: si el transmisor del control remoto interfiere con otros aparatos, activar un código nuevo en el control remoto **cortando la corriente primero**. Repetir las instrucciones que tienen que ver con el botón "SET" de la sección 12 a continuación.



12. Programación del ventilador./El activar un código nuevo.

⚠ PRECAUCIÓN: se puede programar el transmisor del control remoto para usar con varios receptores o ventiladores. Si no desea hacer esto, apagar el interruptor de cualquier otro receptor o ventilador programable.

Si el ventilador y/o el control remoto no funcionana(n) o si ha comprado un nuevo transmisor de control remoto, asegurarse de cortar la corriente primero. Retirar la cubierta de la batería en la parte de atrás del transmisor del control remoto. Si todavía no se haya hecho, instalar una batería de 12 voltios (incluida). [Para la instalación de la batería y todas las ADVERTENCIAS relacionadas con la batería, ver la sección 10 de la página 10.]

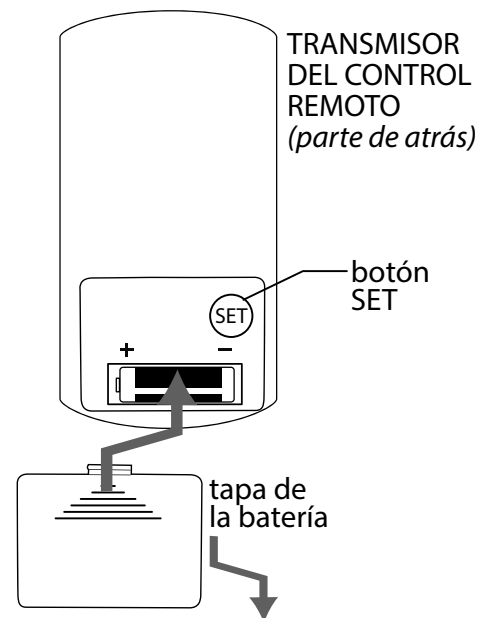
⚠ ADVERTENCIA: la batería se debe introducir en la polaridad correcta.

Volver a conectar la electricidad. Dentro de 60 segundos de haber conectado la electricidad, oprimir el botón **SET** por 5 segundos o hasta que la luz parpadee 3 veces. Luego, volver a poner la tapa de la batería.

Poner a prueba las funciones de luz y ventilador para confirmar que se haya terminado el proceso de aprendizaje--ver la "Verificación del funcionamiento del ventilador" (sección 11 más arriba).

IMPORTANTE: El proceso de programación tardará aproximadamente 5 minutos en completarse. Por favor **dejar el ventilador en "ENCENDIDO"** durante estos 5 minutos que demora la programación y **NO proceder a usar el control remoto ni a cortar el suministro de fuerza eléctrica** durante este tiempo.

El ventilador **entrará en un ciclo de marcha de avance y marcha atrás, pasando por LAS SEIS (6) velocidades, y luego se detendrá automáticamente** después de haberse terminado el proceso de programación.



Localización de fallas.

⚠ ADVERTENCIA: *el no desconectar el suministro de fuerza eléctrica antes de hacer localización de fallas para cualquier problema de nstalación eléctrica puede causar lesiones graves.*

Problema: el ventilador no funciona.

Soluciones:

1. Inspeccionar el interruptor de pared del ventilador.
2. Verificar la instalación eléctrica del ventilador.
3. Es posible que no tuvo éxito el proceso de programación entre el ventilador y el transmisor del control remoto y que no se activó el código. Desconectar la electricidad y repetir las instrucciones de la sección 12 (página 11).
4. Averiguar que la luz se prende en el transmisor del control remoto cuando se oprima un botón, lo cual significa que sirve la batería.
5. Asegurarse de que se hizo bien la instalación eléctrica en el receptor.
6. Asegurarse de que se conectaron bien los enchufes tipo "molex" en el juego de luz LED.

Problema: el juego de luz no se ilumina (si se aplica).

Soluciones:

1. Inspeccionar el interruptor de pared del ventilador.
2. Verificar que se hizo correctamente la conexión de cables en la cubierta decorativa.
3. Verificar que se conectaron bien los enchufes tipo "molex" en el juego de luz LED.
4. Es posible que no tuvo éxito el proceso de programación entre el ventilador y el transmisor del control remoto y que no se activó el código. Desconectar la electricidad y repetir las instrucciones de la sección 12 (página 11).

Problema: no funcionan el ventilador ni la luz (si se aplica) con el transmisor del control remoto.

Soluciones:

1. Averiguar la carga de la batería en el transmisor del control remoto.
2. Es posible que no tuvo éxito el proceso de programación entre el ventilador y el transmisor del control remoto y que no se activó el código. Desconectar la electricidad y repetir las instrucciones de la sección 12 (página 11).

Problema: el ventilador se tambalea.

Soluciones:

1. Usar el juego para balancear las aspas incluido en uno de los paquetes de artículos de ferretería. *Si no se incluye un juego para balancear las aspas, llamar al Servicio al cliente, 800-486-4892, para pedir uno.*
2. Averiguar que se apretó (apretaron) bien el (los) tornillo(s) de fijación en el cuello de la unidad del motor.
3. Averiguar que se apretó bien el tornillo de fijación en la bola que sirve para colgar.

Garantía.

Todos los productos están diseñados para su venta en Norteamérica con una red eléctrica de 120 voltios / 60 Hz.

GARANTÍA LIMITADA DE POR VIDA CRAFTMADE: CRAFTMADE garantiza este ventilador para el uso previsto según la siguiente disposición: CRAFTMADE reemplazará cualquier ventilador que tenga un funcionamiento deficiente debido a un defecto en los materiales o en la mano de obra o que no funcione satisfactoriamente a causa del uso normal. Comunicarse con el Servicio al cliente de Craftmade al **800-486-4892, opción 1** o por correo electrónico a **customerservice@craftmade.com**.

En caso de que un producto ya no esté disponible, CRAFTMADE hará todo lo posible para ofrecer un producto comparable o crédito para otro ventilador de CRAFTMADE.

El comprador será responsable de todos los costos incurridos en la sacar y reinstalar el ventilador.

Esta garantía no se aplica cuando los daños por abuso mecánico, físico, eléctrico o de agua provocan el mal funcionamiento. El deterioro de los acabados u otras partes debido al tiempo o la exposición al aire salado está específicamente exento bajo esta garantía. No están cubiertos por esta garantía las pantallas ni las bombillas , pero se reemplazarán si se encuentran rotas en el momento de la compra.

Ni CRAFTMADE ni el fabricante asumirán ninguna responsabilidad derivada de la instalación o el uso inadecuado de este producto. En ningún caso la empresa será responsable por daños emergentes por incumplimiento de esta, o cualquier otra garantía expresa o implícita de cualquier tipo. Esta limitación en cuanto a daños consecuentes no se aplicará en los estados donde esté prohibido.

Piezas, reemplazo o asistencia técnica.

Para obtener piezas, reemplazo, asistencia técnica o información adicional, tener disponible el número de modelo, el nombre o la imagen del ventilador y comunicarse con Craftmade de una de las siguientes maneras:

Servicio al cliente: **800-486-4892**, Opción 1

Apoyo técnico: **800-486-4892**, Opción 2

Correo electrónico:
customerservice@craftmade.com

www.craftmade.com

CRAFTMADE™