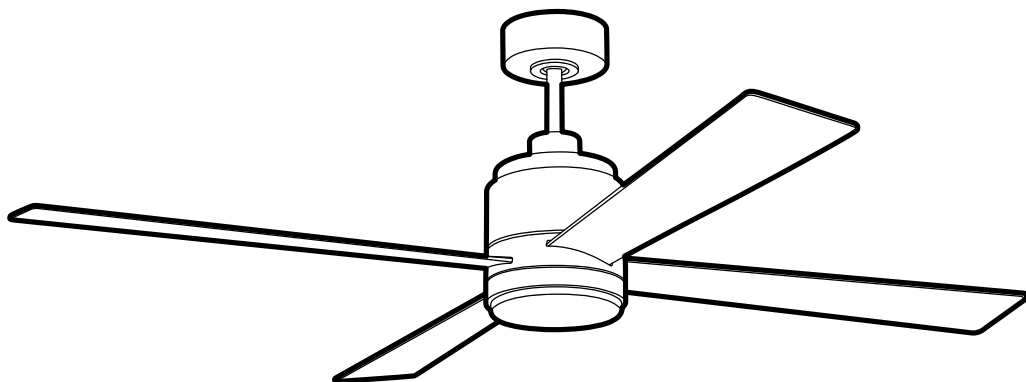


# CRAFTMADE™

READ THESE INSTRUCTIONS AND  
SAVE THEM FOR FUTURE USE



McCoy

## Installation Guide

For Model:  
MCY60

### Table of Contents:

Safety Tips. pg. 2  
Unpacking Your Fan. pg. 3  
Parts Inventory. pg. 3  
Installation Preparation. pg. 4  
Hanging Bracket Installation. pg. 4  
Fan Assembly. pgs. 5 - 6  
Wiring. pg. 7  
Canopy Assembly. pg. 8  
Blade Assembly. pg. 8  
Light Kit Assembly (Optional). pg. 9  
Wall Control Operation. pg. 10  
Testing Your Fan. pg. 10  
Troubleshooting. pg. 11  
Warranty. pg. 11  
Parts, Replacement or Technical  
Assistance pg. 11



net weight of fan: 15lb (7.05kg)

PRINTED IN CHINA

# SAFETY TIPS.

**READ ALL INSTRUCTIONS AND SAFETY INFORMATION CAREFULLY BEFORE INSTALLING YOUR FAN AND SAVE THESE INSTRUCTIONS.**

## WARNING

- To reduce the risk of electrical shock, turn off the electricity to the fan at the main fuse box or circuit panel before you begin fan installation or before servicing the fan or installing accessories.
- To reduce the risk of fire, electrical shock, or personal injury, mount to the outlet box marked "Acceptable for Fan Support of 15.9 kg (35 lb) or less," and use the mounting screws provided with the outlet box. Most outlet boxes commonly used for the support of lighting fixtures are not acceptable for fan support and may need to be replaced. Consult a qualified electrician if in doubt.
- To reduce the risk of fire, electrical shock, or personal injury, wire connectors provided with this fan are designed to accept only one 12-gauge house wire and two lead wires from the fan. If your house wire is larger than 12-gauge or there is more than one house wire to connect to the corresponding fan lead wires, consult an electrician for the proper size wire connectors to use.
- To reduce the risk of fire or electrical shock, do not use this fan with any solid state speed control device or control fan speed with a full range dimmer switch. [Using a full range dimmer switch to control fan speed will cause a loud humming noise from fan.]
- To reduce the risk of personal injury, do not bend the blades during assembly or after installation. Do not insert objects into the path of the blades.
- To reduce the risk of serious bodily injury, DO NOT use power tools to assemble any part of the fan, including the blades.
- To avoid personal injury or damage to the fan and other items, be cautious when working around or cleaning the fan.
- This fan **MUST** be installed with the safety cable provided with the fan. Failure to use the safety cable provided may result in personal injury, damage to the fan or damage to other property.
- Metal cover for use without light kit will be HOT if light is left on. To reduce the risk of personal injury, light kit must be OFF or DISCONNECTED before installing metal cover.
- To reduce the risk of personal injury, use only parts provided with this fan. **The use of parts OTHER than those provided with this fan will void the warranty.**

## CAUTION

- To avoid personal injury, the use of gloves may be necessary while handling fan parts with sharp edges.
- Do NOT tamper with or attempt to repair LED component of fixture. The light source is designed for this specific application and should not be serviced by untrained personnel. If any servicing is required, call our customer service department.
- Changes or modifications not approved by the party responsible for compliance could void the user's authority to operate the equipment. [The equipment refers to the remote and/or wall control and/or LED light kit.]

NOTE: This equipment has been tested and found to comply with the limits for a Class B digital device, pursuant to Part 15 of the FCC Rules. These limits are designed to provide reasonable protection against harmful interference in a residential installation. This equipment generates, uses and can radiate radio frequency energy and, if not installed and used in accordance with the instructions, may cause harmful interference to radio communications. However, there is no guarantee that interference will not occur in a particular installation. If this equipment does cause harmful interference to radio or television reception, which can be determined by turning the equipment off and on, the user is encouraged to try to correct the interference by one or more of the following measures:

  - \* Reorient or relocate the receiving antenna.
  - \* Increase the separation between the equipment and receiver.
  - \* Connect the equipment into an outlet on a circuit different from that to which the receiver is connected.

Consult the dealer or an experienced radio/TV technician for help.
- The LED light kit complies with Part 15 of the FCC Rules. Operation is subject to the following two conditions: (1) this LED light kit may not cause harmful interference, (2) this LED light kit must accept any interference received, including interference that may cause undesired operation.

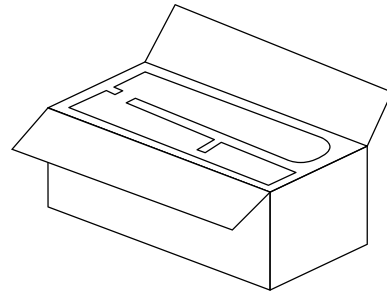
1. Make sure all electrical connections comply with Local Codes or Ordinances, the National Electrical Code, and ANSI/NFPA 70-1999. If you are unfamiliar with electrical wiring or if the house/building wires are different colors than those referred to in the instructions, please use a qualified electrician.
2. Make sure you have a location selected for your fan that allows clear space for the blades to rotate and at least seven (7) feet (2.13 meters) of clearance between the floor and the fan blade tips. The fan should be mounted so that the tips of the blades are at least thirty (30) inches (76 centimeters) from walls or other upright structures.
3. The outlet box and ceiling support joist used must be securely mounted, and capable of supporting at least 35 pounds (16 kilograms). The outlet box must be supported directly by the building structure. Use only CETL or CUL in Canada or ETL or UL in USA listed outlet boxes marked "FOR FAN SUPPORT."
4. Electrical diagrams are for reference only.
5. After installation is complete, check that all connections are absolutely secure.
6. After making electrical connections, spliced conductors should be turned upward and pushed carefully up into the outlet box. The wires should be spread apart with the grounded conductor and the equipment-grounding conductor on opposite sides of the outlet box.
7. Do not operate the reverse switch until the fan has come to a complete stop. **[Note: If using wall control with reverse capability, reverse fan blade direction only when on LOW speed.]**
8. Do not use water or detergents when cleaning the fan or fan blades. A dry dust cloth or lightly dampened cloth will be suitable for most cleaning.
9. Light kit is dimmable to 10% with the wall control included.

Distributed by: Craftmade, 3901 S 20<sup>th</sup> Avenue, DFW Airport, TX, 75261; 800-486-4892

**NOTE:** The important safety precautions and instructions appearing in the manual are not meant to cover all possible conditions and situations that may occur. It must be understood that common sense and caution are necessary factors in the installation and operation of this fan.

# 1. Unpacking Your Fan.

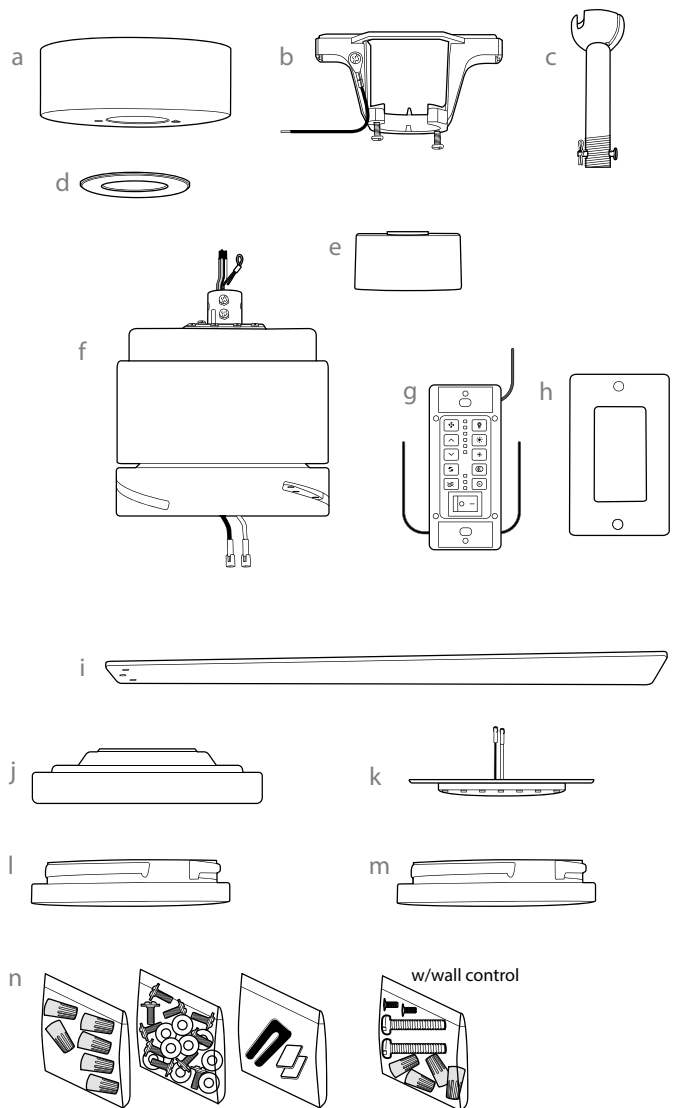
Carefully open the packaging. Remove items from inserts. Remove motor housing and place on carpet or inserts to avoid damage to finish. Do not discard fan carton or inserts should this fan need to be returned for repairs. Check against parts inventory that all parts have been included.



## 2. Parts Inventory.

*\*Parts drawings in this manual are representative only*

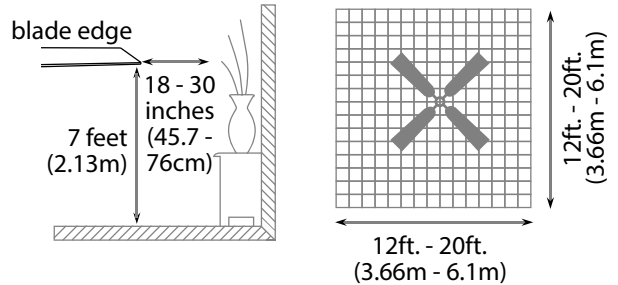
- a.** canopy. 1 piece
- b.** hanging bracket. 1 piece
- c.** downrod and hanging ball (with pin and clip). 1 piece
- d.** canopy cover. 1 piece
- e.** yoke cover. 1 piece
- f.** motor housing. 1 piece
- g.** wall control. 1 piece
- h.** plate. 1 piece
- i.** blade. 4 pieces
- j.** fitter plate. 1 piece
- k.** LED light kit. 1 piece
- l.** shade. 1 piece
- m.** metal cover. 1 piece
- n.** hardware packs



**⚠ IMPORTANT REMINDER:** You must use the parts provided with this fan for proper installation and safety. **⚠**

### 3. Installation Preparation.

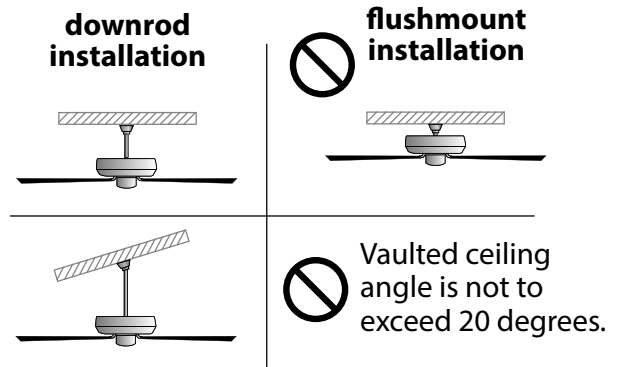
To prevent personal injury and damage, ensure the hanging location of the fan allows a blade clearance of 7ft from the floor, and must maintain a minimum clearance of 18 in (45.7 cm) from any wall or obstruction, as recommended by UL. For optimal airflow performance, Craftmade recommends a minimum clearance of 30 in (76.2 cm) from the wall or obstruction. This fan is suitable for room sizes up to 400 square feet (37.2 square meters).



This fan can be mounted with a **downrod** on a regular (no-slope) or vaulted ceiling. The hanging length can be extended by purchasing a longer downrod (0.5in./1.27cm diameter). Other installation, such as **flushmount**, is *not* available for this fan.

#### Installation requires these tools:

Phillips screwdriver, flathead screwdriver, adjustable pliers or wrench, stepladder, wire cutters, and rated electrical tape.



### 4. Hanging Bracket Installation.

Turn off circuit breakers to current fixture from breaker panel and be sure operating light switch is turned to the OFF position.

**⚠ WARNING:** Failure to disconnect power supply prior to installation may result in serious injury.

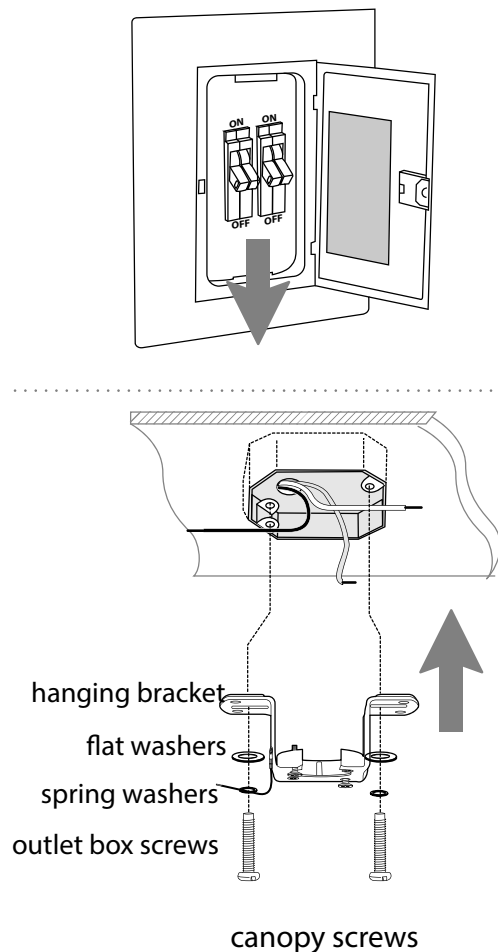
Remove existing fixture.

**⚠ WARNING:** When using an existing outlet box, be sure the outlet box is securely attached to the building structure and can support the full weight of the fan. Ensure outlet box is clearly marked "Suitable for Fan Support." If not, it must be replaced with an approved outlet box. Failure to do so can result in serious injury.

**⚠ CAUTION:** Be sure outlet box is properly grounded and that a ground (**GREEN** or **BARE**) wire is present.

Install hanging bracket to outlet box using original screws, spring washers and flat washers provided with new or original outlet box.\* If installing on a vaulted ceiling, face opening of hanging bracket towards high point of ceiling. Arrange electrical wiring around the back of the hanging bracket and away from the hanging bracket opening.

**\*Note:** It is very important that you use the proper hardware when installing the hanging bracket as this will support the fan.



## 5. Fan Assembly.

Remove hanging ball from downrod provided by loosening set screw on hanging ball. Remove pin and clip. Lower hanging ball and remove stop pin. Slide hanging ball off of the downrod. [Refer to **diagram 1**.]

Loosen yoke set screws and nut at top of motor housing. [Refer to **diagram 2**.]

**Tip:** To prepare for threading electrical wires through downrod, apply a small piece of electrical tape to the ends of the electrical wires--this will keep the wires together when threading them through the downrod. [Refer to **diagram 2**.]

Determine the length of downrod you wish to use. Thread safety cable and electrical wires through threaded end of downrod and pull extra wire slack from the upper end of the downrod. [Refer to **diagram 2**.]

Thread downrod into the motor housing yoke until holes for pin and clip in downrod align with holes in yoke--*make sure wires do not get twisted*. Re-insert pin and clip that were previously removed. Tighten yoke set screws and nut securely. [Refer to **diagram 2**.]

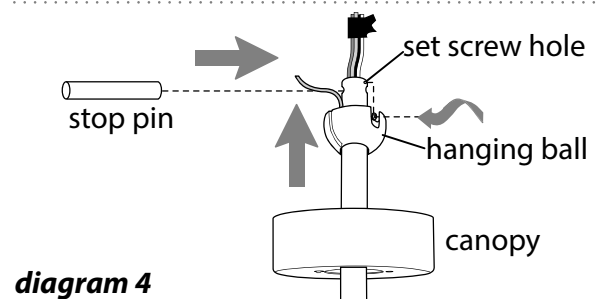
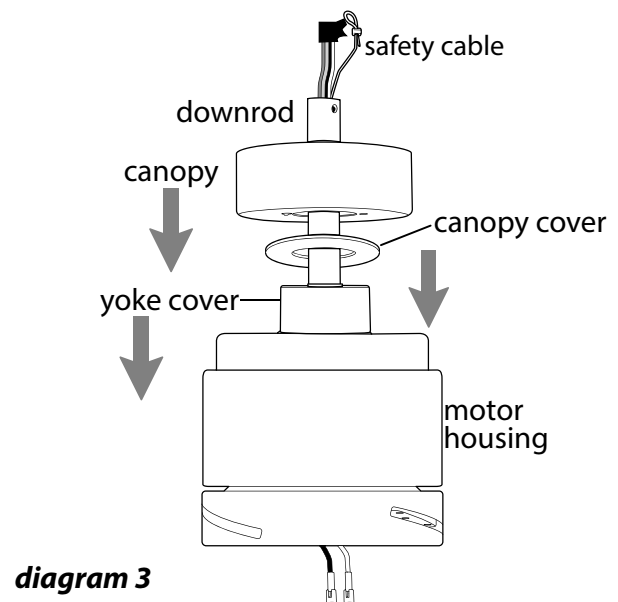
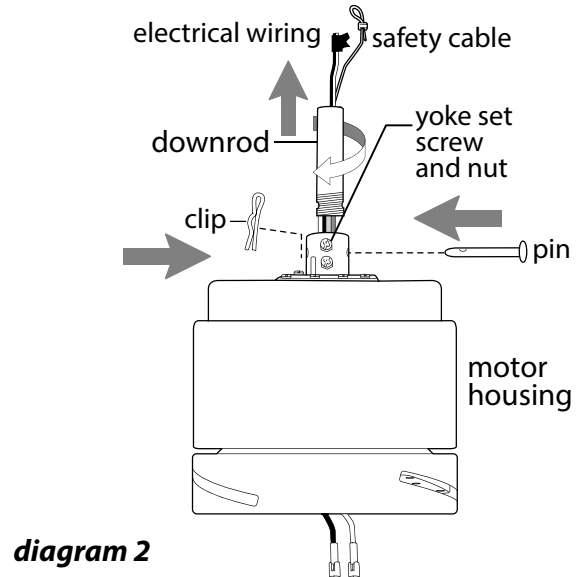
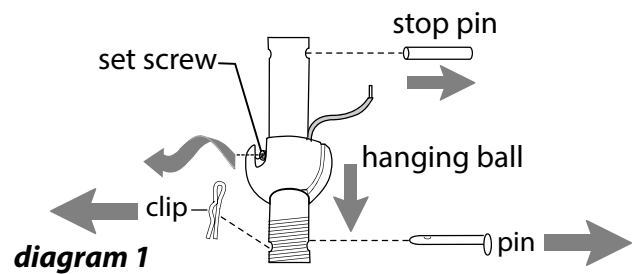
Slide yoke cover, canopy cover and canopy over downrod. [Refer to **diagram 3**.] (**Note:** Canopy cover must be turned with smooth side *toward* the motor housing.)

Thread safety cable and wires through hanging ball and then slide hanging ball over downrod--the top of the downrod should be noted as having a set screw hole; use this hole when setting the set screw. Insert stop pin into top of downrod and raise hanging ball. Be sure stop pin aligns with slots on the inside of the hanging ball. Tighten set screw securely. [Refer to **diagram 4**.]

**⚠ WARNING:** Failure to tighten set screw (on hanging ball) completely could result in the fan becoming loose and possibly falling.

**["Fan Assembly" continued on next page.]**

**NOTE:** The important safety precautions and instructions appearing in the manual are not meant to cover all possible conditions and situations that may occur. It must be understood that common sense and caution are necessary factors in the installation and operation of this fan.



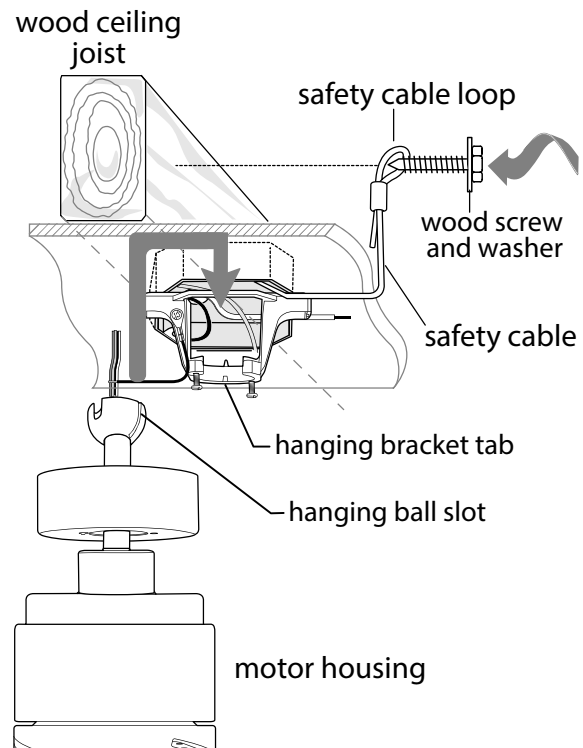
## 5. Fan Assembly. (cont.)

With the hanging bracket secured to the outlet box and able to support the fan, you are now ready to hang your fan. Grab the fan firmly with two hands. Slide down rod through opening in hanging bracket and let hanging ball rest on the hanging bracket. Turn the hanging ball slot until it lines up with the hanging bracket tab.

**⚠ WARNING:** Failure to align slot in hanging ball with tab in hanging bracket may result in serious injury or death.

**Tip:** Seek the help of another person to hold the stepladder in place and to lift the fan up to you once you are set on the ladder.

Find a secure attachment point (wood ceiling joist highly recommended) and secure safety cable. It will be necessary to use a heavy duty wood screw, washer and lock washer (not supplied) with the safety cable loop. [Refer to diagram at right.] Adjust safety cable length by loosening screw and nut on safety cable vice. Adjust slack to a hand's length and tighten nut on vice securely. The loop at the end of the safety cable should just fit over the threads on the wood screw. *Test safety cable by pulling on loose end with pliers. If cable slips, then vice and nut must be set tighter.* Extra cable slack can be left in ceiling area.



## 6. Wiring.

**⚠ WARNING:** Turn off circuit breakers to current fixture from breaker panel and be sure switch is turned to the OFF position.

**⚠ CAUTION:** Be sure outlet box is properly grounded and that a ground wire (**GREEN** or **BARE**) is present.

Make sure all electrical connections comply with Local Codes or Ordinances and the National Electrical Code. If you are unfamiliar with electrical wiring or if the house/building wires are different colors than those referred to in the diagram to the right, please use a qualified electrician.

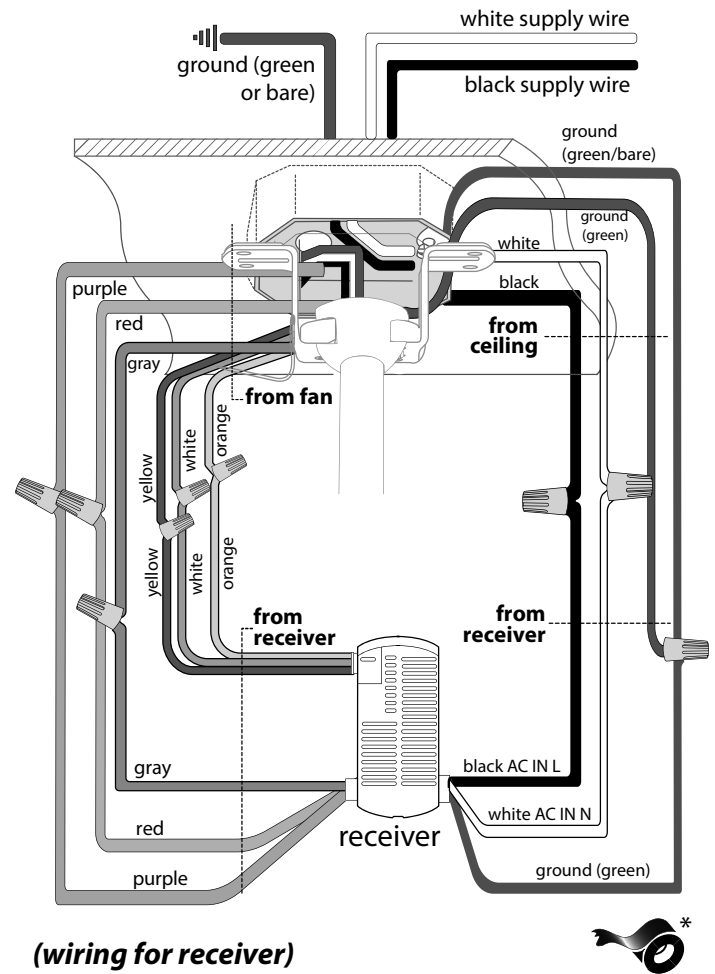
**Note:** Excess lead wire length from the fan can be cut to the desired length and then stripped.

When downrod is secured in place on the hanging bracket, wire the **RECEIVER** with wire connectors provided as shown in diagram at right.

**Tip:** While you are wiring, keep in mind that wires must not obstruct receiver from sliding into hanging bracket.

\* Wrap each wire connector separately with electrical tape as an extra safety measure.

Gently insert receiver (flat side up) into hanging bracket and carefully push wires and taped wire connectors into outlet box.

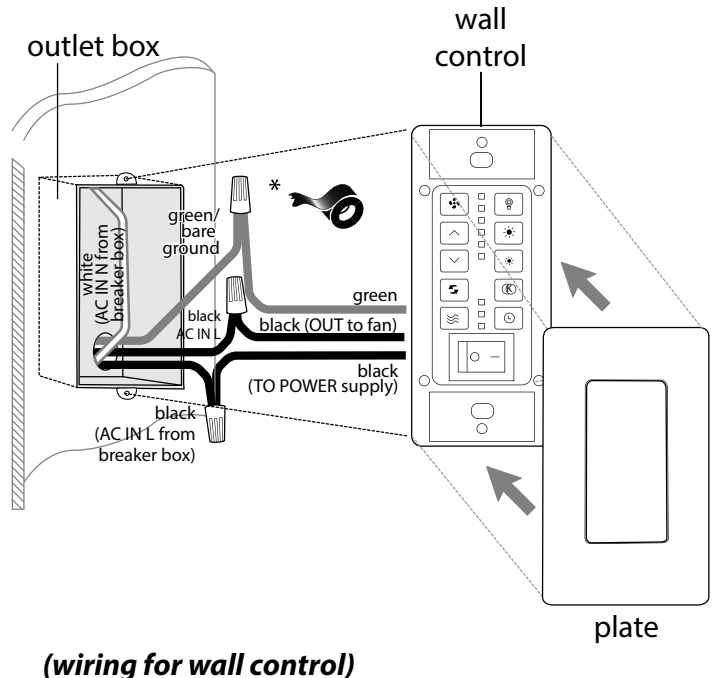


**To install wall control,** remove existing wall switch. Wire the wall control with wire connectors provided as shown in diagram at right.

**⚠ WARNING:** To reduce the risk of damage to wall control, do NOT connect the **WHITE** (AC IN N) wire to the wall control.

\*Wrap each wire connector separately with electrical tape as an extra safety measure. Gently push wires and taped wire connectors into outlet box.

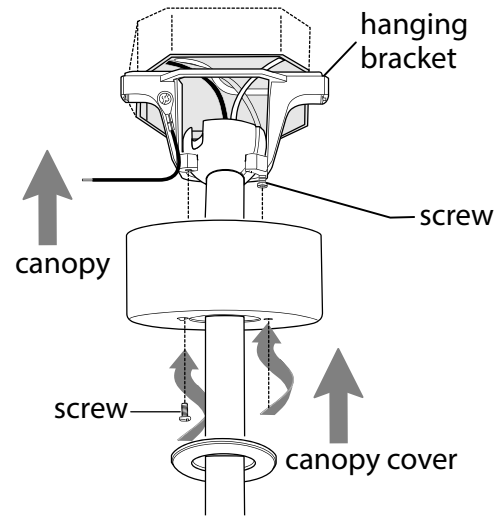
Attach wall control to outlet box and secure with screws from original wall switch or with screws from hardware pack. Attach plate (included) to wall control using 2 screws provided with the wall control.



## 7. Canopy Assembly.

Locate 2 screws on underside of hanging bracket and remove screw closest to the open end of the hanging bracket. Partially loosen the other screw. Lift canopy to hanging bracket. Place rounded part of slotted hole in canopy over loosened screw in hanging bracket and push up. Twist canopy to lock. Re-insert screw that was removed and then tighten both screws securely.

Slide canopy cover up to canopy, aligning protrusions on canopy cover with notches in the hole in the bottom of the canopy. Press up gently but firmly on the canopy cover until it fits into the bottom of the canopy and then turn canopy cover to the right (clockwise) about 1/2 in.



## 8. Blade Assembly.

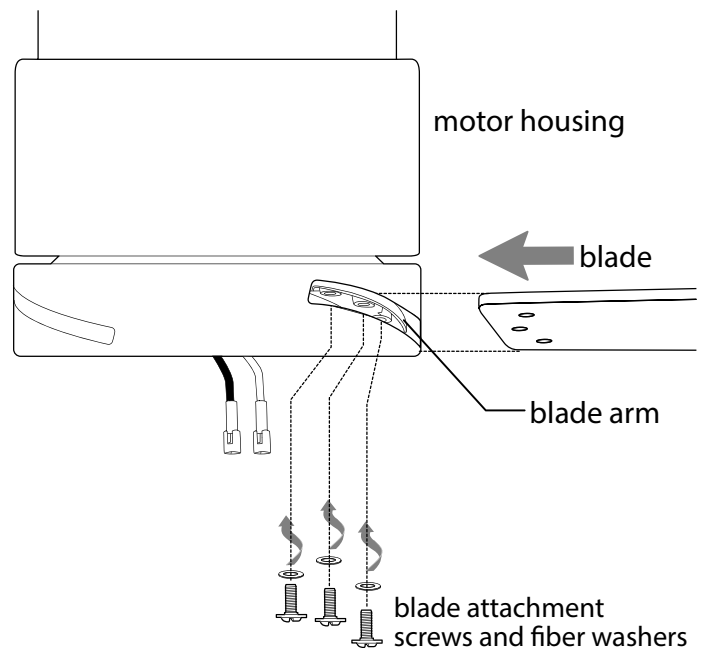
**⚠ WARNING:** To reduce the risk of serious bodily injury, DO NOT use power tools to assemble the blades. If screws are overtightened, blades may crack and break.

**Tip:** Place one fiber washer on each blade attachment screw prior to installing blades.

Locate blade attachment screws and fiber washers in hardware packs. Slide blade through one of the narrow, rectangular openings on motor housing, aligning holes in blade with holes in blade arm (**located inside of the motor housing**)--refer to drawing at right.

Insert 3 blade attachment screws and fiber washers with fingers first and then tighten screws securely with a Phillips screwdriver. Repeat procedure for remaining blades.

**NOTE:** Tighten blade attachment screws twice a year.



## 9. Light Kit Assembly (Optional).

Remove 1 screw from motor plate on underside of motor housing and partially loosen the other 2 screws. Align slotted holes in center of fitter plate with loosened screws in motor plate, allowing male plugs from motor housing to come through hole in middle of fitter plate. Twist fitter plate to lock. Re-insert screw that was just removed and securely tighten all 3 screws with a Phillips screwdriver.

Remove 1 screw from underside of fitter plate and partially loosen the other 2 screws.

Connect female plug from LED light kit to male plug from motor, matching up the colors on the male plug with the corresponding colors on the female plug for correct fit. Make sure plugs connect completely.

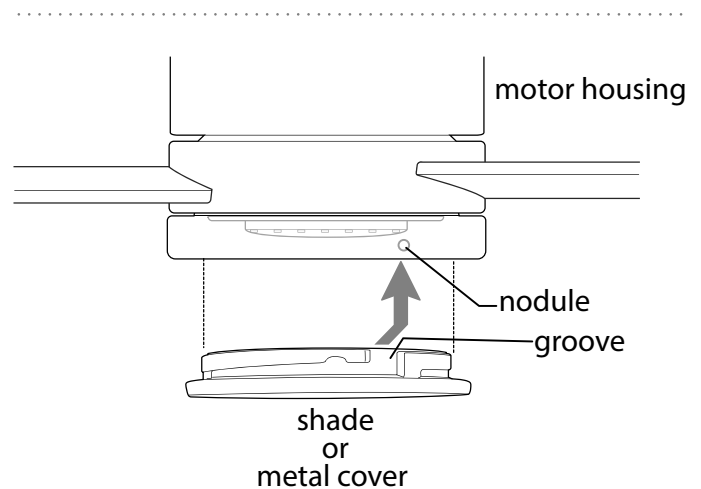
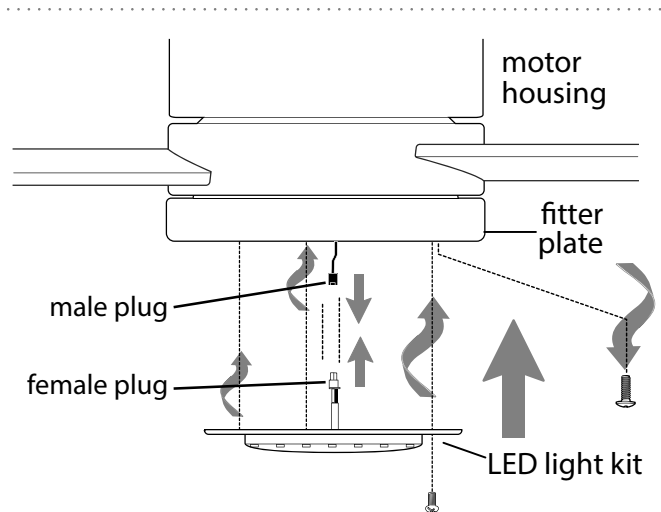
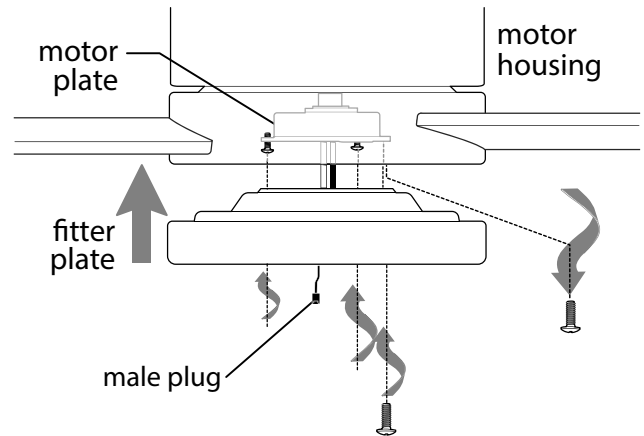
Carefully arrange wiring within fitter plate. Align slotted holes in LED light kit with loosened screws in fitter plate. Twist LED light kit to lock. Re-insert screw that was previously removed and tighten all 3 screws securely.

**If you wish to USE the light**, align grooves on shade with nodules on inside of fitter plate and push up gently on shade. Turn shade to the RIGHT (clockwise) until shade slides completely into place.

**NOTE:** Pull down VERY GENTLY on shade to make sure that shade is secure.

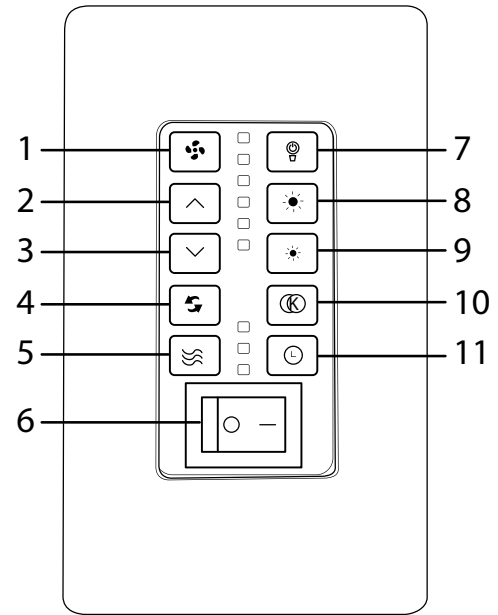
**If you do NOT wish to use the light**, locate grooves on metal cover and align with nodules inside fitter plate. Gently push up on metal cover and turn to the RIGHT (clockwise) until it no longer turns.

**⚠ WARNING:** Metal cover will be HOT if light is left on.



## 10. Wall Control Operation.

- 1 - To turn *fan* **ON** or **OFF**
- 2 - To increase *fan* speed
- 3 - To decrease *fan* speed
- 4 - Reverse function (*fan* must be set on *low* before reversing blade direction).
- 5 - Breeze mode: *fan* automatically cycles between all 6 different fan speeds
- 6 - To turn *wall control* **ON** or **OFF** (if applicable)
- 7 - To turn *light* **ON** or **OFF** (if applicable)
- 8 - To increase *light* (if applicable)
- 9 - To decrease *light* (if applicable)
- 10 - Color mode: change light color temperature (if applicable)
- 11 - Timer: *fan* stops after 1 hour/3 hours/6 hours




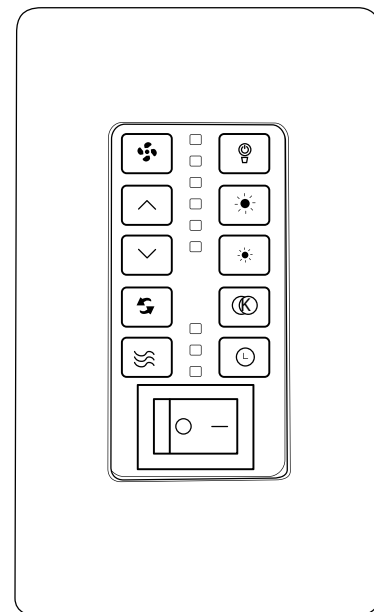
wall control

## 11. Testing Your Fan.

It is recommended that you test fan before finalizing installation. Restore power from circuit box.

Test wall control by locating ON/OFF switch on wall control, then set to the ON (—) position (refer to diagram in Section 10 above). Test fan speeds. If the wall control operates all of the functions of the fan, the wall control was installed successfully. If the wall control does not operate all of the fan functions, refer to "Troubleshooting" section to solve any issues before contacting Customer Service

Fan must be on LOW before setting the fan in reverse. Use  button to recirculate air depending on the season. A ceiling fan will allow you to raise your thermostat setting in summer and lower your thermostat setting in winter without feeling a difference in your comfort.



## Troubleshooting.

**⚠ WARNING:** Failure to disconnect power supply prior to troubleshooting any wiring issues may result in serious injury.

**Problem:** Fan fails to operate.

**Solutions:**

1. Verify wall control is wired properly.
2. Verify receiver is wired properly.
3. Check to be sure fan is wired properly.
4. Verify wall control power switch is set to ON (—).
5. Verify male/female plug in LED light kit are connected properly.

**Problem:** Light kit (optional) not lighting.

**Solutions:**

1. Verify wall control is wired properly.
2. Verify wires in canopy are wired properly.
3. Verify male/female plug in LED light kit are connected properly.
4. Verify wall control power switch is set to ON (—).

**Problem:** Fan and light fail to operate with wall control.

**Solutions:**

1. Verify wall control is wired properly.
2. Verify wall control power switch is set to ON (—).

**Problem:** Fan wobbles.

**Solutions:**

1. Use the balancing kit in one of the hardware packs. *If no blade balancing kit is provided, please call Customer Support, at 800-486-4892, to request one.*
2. Check to be sure set screw(s) on motor housing yoke is (are) tightened securely.
3. Check to be sure set screw on hanging ball is tightened securely.

## Warranty.

**All products are designed to be sold in North America with 120 Volt / 60Hz electric grid**

CRAFTMADE LIMITED LIFETIME WARRANTY:

CRAFTMADE warrants this fan for use as intended under the following provision: CRAFTMADE will replace any fan which has faulty performance due to a defect in material or workmanship or fails to operate satisfactorily when failure results from normal use. Contact Craftmade Customer Service at **800-486-4892, Option 1** or via email at **customerservice@craftmade.com**.

In the event a product is no longer available, CRAFTMADE will make best efforts to offer a comparable product or credit towards another CRAFTMADE fan.

The purchaser shall be responsible for all costs incurred in the removal and reinstallation.

This warranty does not apply when damage from mechanical, physical, electrical or water abuse results in causing the malfunction. Deterioration of finishes or other parts due to time or exposure to salt air is specifically exempted under this warranty. Shades and light bulbs are not covered by this warranty but will be replaced if found broken at time of purchase.

Neither CRAFTMADE nor the manufacturer will assume any liability resulting from improper installation or use of this product. In no case shall the company be liable for any consequential damages for breach of this, or any other warranty expressed or implied whatsoever. This limitation as to consequential damages shall not apply in states where prohibited.

## Parts, Replacement or Technical Assistance.

For parts, replacement, technical assistance or additional information, please have the fan model number, name or picture available and contact Craftmade in one of the following ways

Customer Support:

**800-486-4892, Option 1**

Technical Support:

**800-486-4892, Option 2**

Email:

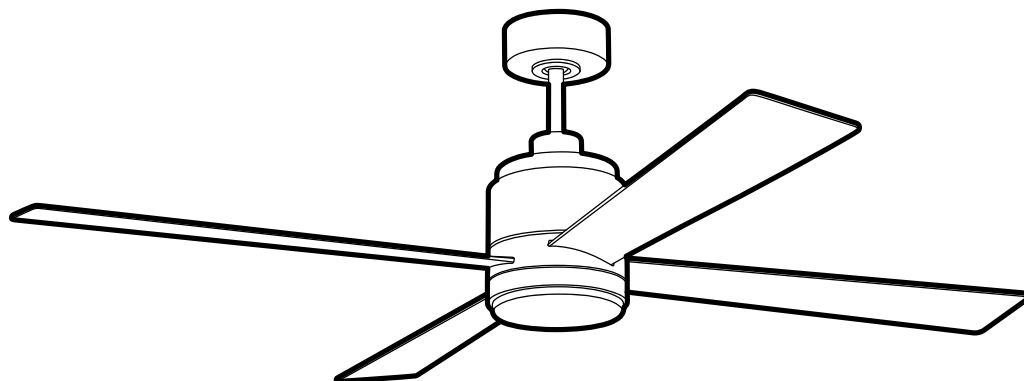
customerservice@craftmade.com

www.craftmade.com

# CRAFTMADE™

# CRAFTMADE™

LEER ESTAS INSTRUCCIONES Y  
GUARDARLAS PARA UTILIZACIÓN FUTURA



McCoy

## Guía de instalación

Para modelo:  
**MCY60**

### Índice de materias:

- Sugerencias de seguridad. Pág. 2
- Desempaquetado del ventilador. Pág. 3
- Inventario de piezas. Pág. 3
- Preparación para la instalación. Pág. 4
- Instalación del soporte de montaje. Pág. 4
- Ensamblaje del ventilador. Págs. 5 - 6
- Instalación eléctrica. Pág. 7
- Colocación de la cubierta decorativa. Pág. 8
- Colocación de las aspas. Pág. 8
- Instalación del juego de luz (opcional). Pág. 9
- Funcionamiento del control de pared. Pág. 10
- Verificación del funcionamiento del ventilador. Pág. 10
- Localización de fallas. Pág. 11
- Garantía. Pág. 11
- Piezas, reemplazo o asistencia técnica. Pág. 11



peso neto del ventilador: 15lb (7.05kg)

IMPRESO EN CHINA

# SUGERENCIAS DE SEGURIDAD.

**LEER TODAS LAS INSTRUCCIONES E INFORMACIÓN DE SEGURIDAD CUIDADOSAMENTE ANTES DE INSTALAR SU VENTILADOR Y GUARDAR ESTAS INSTRUCCIONES.**

## ADVERTENCIA

- Para evitar la posibilidad de una descarga eléctrica, desconectar la corriente en la caja de fusibles principal o el interruptor protector antes de iniciar la instalación del ventilador o antes de repararlo o instalar accesorios.
- Para reducir el riesgo de incendio, descarga eléctrica o daño corporal, instalar en una caja de salida marcada "Aceptable para sostener ventilador de 15,9 kg (35 lb) o menos" ["Acceptable for Fan Support of 15.9 kg (35 lb) or less"] y utilizar los tornillos proporcionados con la caja de salida. La mayoría de las cajas de salida que normalmente se usan para sostener los aparatos de alumbrado no siempre son apropiadas para sostener ventiladores y es posible que las tenga que reemplazar. En caso de duda, consultar con un electricista calificado.
- Para reducir el riesgo de incendio, descarga eléctrica o daño corporal, los conectores para cable provistos con este ventilador son diseñados para aceptar sólo un cable de calibre 12 de la casa y dos cables principales del ventilador. Si el calibre del cable de la casa es superior al 12 o hay más de un cable de la casa para conectar a los cables principales del ventilador al cual corresponda cada uno, consultar con un electricista para informarse sobre el tamaño correcto de conectores para cable que se debe usar.
- Para reducir el riesgo de incendio o una descarga eléctrica, no usar el ventilador con ningún control de velocidad de estado sólido ni controlar la velocidad del ventilador con un interruptor con reductor de luz de gama completa. [El usar un interruptor con reductor de luz de gama completa para controlar la velocidad del ventilador causará un zumbido recio del ventilador.]
- Para reducir el riesgo de daño corporal, no doblar las aspas durante el ensamblaje ni después de la instalación. No introducir ningún objeto entre las aspas mientras estén rotando.
- Para reducir el riesgo de lesiones corporales graves, NO utilizar herramientas eléctricas para ensamblar las piezas del ventilador, incluso las aspas.
- Para reducir el riesgo de daño corporal o algún daño al ventilador o a cualquier otra cosa, tener cuidado al estar trabajando alrededor del ventilador o limpiándolo.
- Este ventilador DEBE instalarse con el cable de seguridad provisto. Si no se utiliza el cable de seguridad provisto, se pueden producir lesiones personales, daños al ventilador o a otras propiedades.
- La cubierta de metal que es para uso sin el juego de luz se CALENTARÁ si la luz se queda prendida. Para reducir el riesgo de daño corporal, el juego de luz debe estar APAGADO o DESCONECTADO antes de instalar la cubierta de metal.
- Para reducir el riesgo de daño corporal, usar **sólo** las piezas provistas con este ventilador. **Al usar piezas DISTINTAS a las provistas con este ventilador se invalidará la garantía.**

## PRECAUCIÓN

- Para reducir el riesgo de daño corporal, es posible que sea necesario usar guantes al manejar las piezas del ventilador que tengan bordes afilados.
- NO manipular ni intentar reparar el componente LED de la lámpara. La fuente de luz está diseñada para esta aplicación específica y el mantenimiento no debe estar a cargo de personal sin capacitación. De ser necesario algún tipo de mantenimiento, llamar a nuestro departamento de Servicio al cliente.
- Los cambios o las modificaciones no aprobadas por la parte responsable de la conformidad podrían invalidar la autorización del usuario para manejar el equipo. [El equipo se refiere al control remoto y/o el control de pared y/o el juego de luz LED.]  
NOTA: este equipo se ha probado y se ha verificado que cumple los límites para un dispositivo digital clase B, conforme a la sección 15 de las reglas de la Comisión Federal de Comunicaciones (FCC, por sus siglas en inglés). Estos límites están diseñados para proporcionar protección razonable contra interferencias perjudiciales en una instalación residencial. Este equipo genera, utiliza y puede irradiar energía de radiofrecuencia y, si no se instala y se usa de acuerdo con las instrucciones, puede causar interferencia perjudicial para las comunicaciones de radio. Sin embargo, no se garantiza que no se producirán interferencias en una instalación en particular. Si este equipo genera una interferencia perjudicial para la recepción de radio o televisión, que se puede determinar al encender y apagar el equipo, se recomienda al usuario que intente corregir la interferencia con una o más de las siguientes medidas:
  - \* Reorientar o reubicar la antena de recepción.
  - \* Aumentar la separación entre el equipo y el receptor.
  - \* Conectar el equipo a una salida en un circuito diferente de aquel al que el receptor está conectado.Consultar al distribuidor o a un técnico especializado en televisión y radio para obtener ayuda.
- El juego de luz LED cumple con la sección 15 de las reglas de la FCC. Se sujeta el funcionamiento a las dos condiciones siguientes: (1) este juego de luz LED no puede causar una interferencia perjudicial, (2) este juego de luz LED tiene que aceptar cualquier interferencia recibida, inclusive interferencia que puede producir un funcionamiento indeseado.

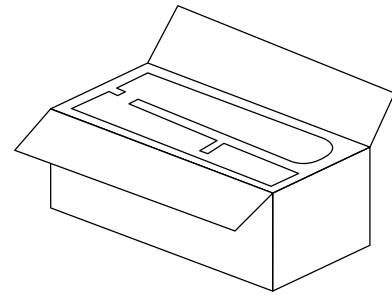
1. Asegurarse de que todas las conexiones eléctricas cumplan con los Códigos o las Ordenanzas Locales, el Código Nacional Eléctrico y ANSI/NFPA 70-1999. Si usted no está familiarizado con el alambrado eléctrico o los cables de la casa/el edificio son de colores diferentes a los cuales se refieren en las instrucciones, favor de buscar un electricista calificado.
2. Asegurarse de que haya localizado una ubicación para su ventilador que permite el espacio necesario para la rotación de las aspas, y por lo menos 2,13 metros (7 pies) de espacio libre entre el piso y las puntas de las aspas. Debe instalar el ventilador para que las puntas de las aspas queden a una distancia de por lo menos 76 centímetros (30 pulgadas) de las paredes y otras estructuras verticales.
3. La caja de salida eléctrica debe estar bien sujeta a la viga de soporte del techo y deben poder sostener por lo menos 16 kilogramos (35 libras). La caja de salida debe tener apoyo directo de la estructura del edificio. Sólo usar cajas de salida registradas con CETL o CUL en Canadá o ETL o UL en EEUU que indican que "sirven para ventilador" ("FOR FAN SUPPORT" en inglés).
4. Los diagramas eléctricos son únicamente para referencia.
5. Después de haber terminado la instalación, asegurarse de que todas las conexiones estén totalmente seguras.
6. Después de haber terminado todas las conexiones eléctricas, los conductores empalmados deben ser volteados para arriba y colocados cuidadosamente dentro de la caja de salida. Los alambres se deben de separar con el conductor a tierra a un lado y el conductor a tierra del equipo al lado opuesto.
7. No utilizar el interruptor de reversa hasta que el ventilador se haya parado completamente. [Nota: si se usa un control remoto con capacidad de reversa, cambiar la dirección de las aspas sólo cuando el ventilador esté en velocidad BAJA.]
8. No utilizar agua ni detergentes para limpiar el ventilador ni las aspas. Usar un trapo seco o ligeramente húmedo para su limpieza general.
9. El juego de luz LED se puede regular al 10% con el control de pared proporcionado.

Distribuido por: Craftmade, 3901 S. 20<sup>th</sup> Avenue, DFW Airport, TX 75261; 800-486-4892

**NOTA:** no se debe concluir que las precauciones de seguridad importantes e instrucciones en este manual van a abarcar todas las condiciones y situaciones posibles que puedan ocurrir. Se debe entender que el sentido común y la precaución son factores necesarios en la instalación y la operación de este ventilador.

# 1. Desempaquetado del ventilador.

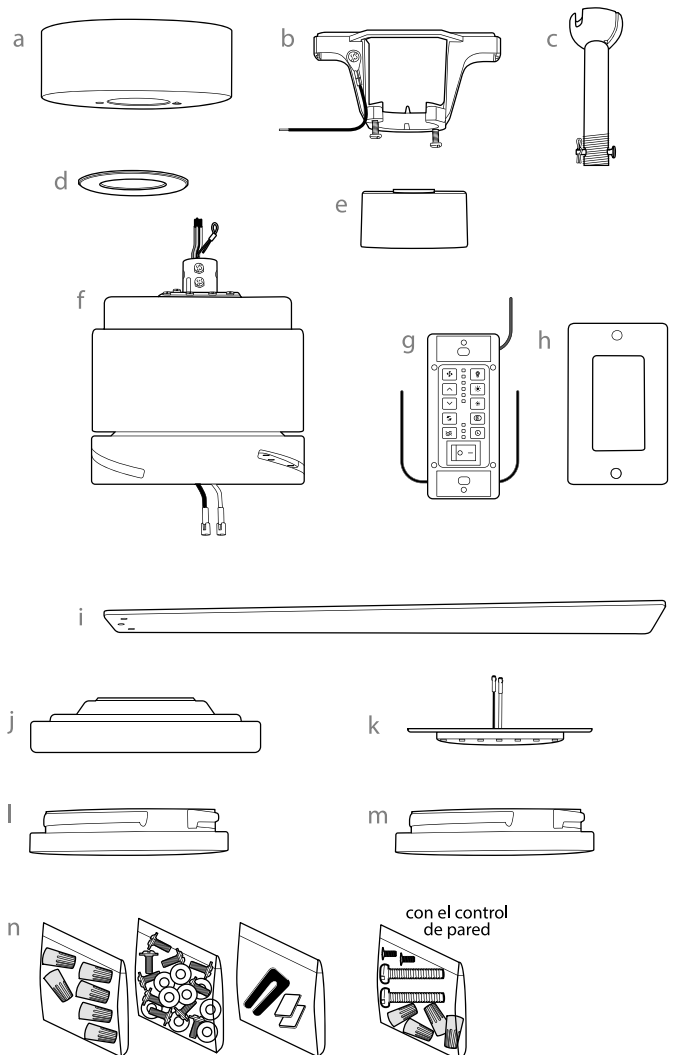
Abrir el empaque cuidadosamente. Sacar los artículos del embalaje. Sacar el motor y ponerlo en una alfombra o en el embalaje para evitar rayar el acabado. Guardar la caja de cartón o el empaquetamiento original en caso de que tenga que mandar el ventilador para alguna reparación. Comprobar las piezas del ventilador con el inventario de piezas y verificar que se incluyeron todas.



## 2. Inventario de piezas.

*\*Los dibujos de las piezas en este manual sólo son representativos*

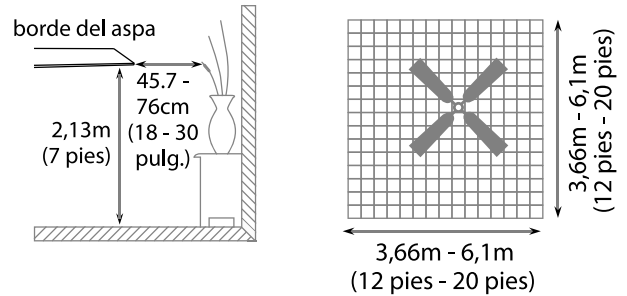
- a.** cubierta decorativa. 1 unidad
- b.** soporte de montaje. 1 unidad
- c.** tubo y bola que sirve para colgar (con perno y clavija). 1 unidad
- d.** tapa de la cubierta decorativa. 1 unidad
- e.** cubierta del cuello. 1 unidad
- f.** bastidor del motor. 1 unidad
- g.** control de pared. 1 unidad
- h.** placa. 1 unidad
- i.** aspa. 4 unidades
- j.** placa de conexión. 1 unidad
- k.** juego de luz LED. 1 unidad
- l.** pantalla. 1 unidad
- m.** cubierta de metal. 1 unidad
- n.** paquetes de artículos de ferretería



**⚠ RECORDATORIO IMPORTANTE:**  
Se tienen que utilizar las piezas provistas con este ventilador para una instalación adecuada y su seguridad. **⚠**

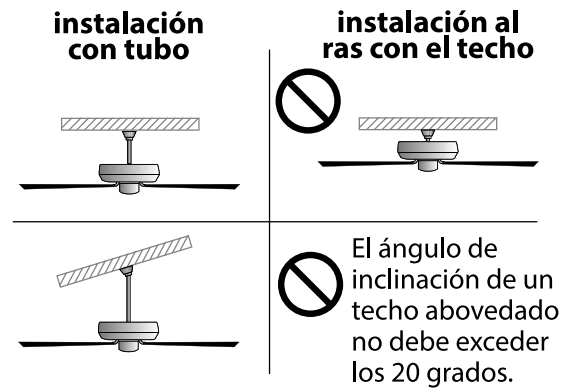
### 3. Preparación para la instalación.

Para prevenir daño corporal y otros daños, estar seguro de que el lugar en donde va a colgar el ventilador le permite un espacio libre de 2,13m (7 pies) entre las puntas de las aspas y el piso y que mantenga una separación mínima de 45.7 cm (18 pulgadas) de cualquier pared u obstrucción, según lo recomendado por UL. Para un rendimiento óptimo del flujo de aire, Craftmade recomienda una separación mínima de 30 pulgadas (76.2 cm) de la pared u obstrucción. Este ventilador es adecuado para habitaciones hasta 37,2 metros cuadrados (400 pies cuadrados).



Se puede colgar este ventilador **con tubo** en un techo regular (sin inclinación) o abovedado. La longitud colgante se puede extender comprando un tubo más largo (con un diámetro de 1,27cm/0,5 pulg.). No hay ningún otro tipo de instalación, como **al ras con el techo**, disponible para este ventilador.

**Se necesitan las herramientas siguientes para la instalación:** destornillador de estrella Phillips, destornillador de paleta (plano), alicates ajustables o llave de tuercas, escalera de tijera, cortaalambres y cinta aisladora.



### 4. Instalación del soporte de montaje.

Apagar los cortacircuitos en el panel de electricidad que suplen corriente a la caja de salida y asegurarse de que el interruptor de luz esté APAGADO.

**⚠️ ADVERTENCIA:** El no desconectar el suministro de fuerza antes de la instalación puede tener por resultado lesiones graves.

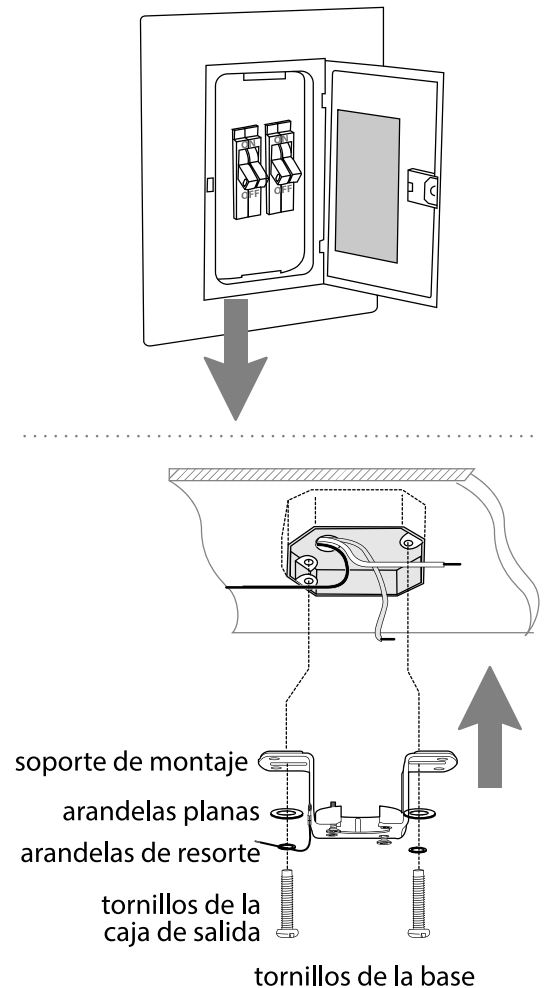
Quitar el aparato existente.

**⚠️ ADVERTENCIA:** Si utiliza una caja de salida existente, asegurarse de que la caja de salida esté firmemente conectada a la estructura del edificio y que sea capaz de sostener el peso total del ventilador. Asegurarse de que la caja de salida indique claramente que "Sirve para ventilador" (FOR FAN SUPPORT); si no, se debe reemplazar con una caja de salida aprobada. El no hacer el cambio si es necesario puede resultar en lesiones graves.

**⚠️ PRECAUCIÓN:** Asegurarse de que la caja de salida esté conectada a tierra correctamente y que haya un conductor a tierra (**VERDE** o **PELADO**).

Instalar el soporte de montaje utilizando los tornillos originales, las arandelas de resorte y las arandelas planas de su nueva o existente caja de salida.\* Si hace la instalación en un techo abovedado, colocar el soporte de montaje con la abertura dirigida hacia la parte alta del techo. Arreglar el alambrado eléctrico (los cables) en la parte de atrás del soporte y lejos de la abertura del soporte. Localizar los 2 tornillos de la base en la parte inferior del soporte de montaje. Aflojar el tornillo de la base que está localizado más cerca del extremo abierto del soporte de montaje, junto con el tornillo de la base diagonalmente opuesto, como se muestra.

**\*NOTA:** Es muy importante usar los artículos de ferretería correctos al instalar el soporte de montaje puesto que sirve para sostener el ventilador.



## 5. Ensamblaje del ventilador.

Quitar la bola que sirve para colgar del tubo, aflojando el tornillo de fijación de la bola que sirve para colgar. Quitar el perno y la clavija. Bajar la bola que sirve para colgar y sacar el perno de tope. Quitar la bola que sirve para colgar deslizándola. [Referirse al **diagrama 1**.]

Aflojar los tornillos de fijación del cuello y la tuerca en la parte superior del bastidor del motor. [Referirse al **diagrama 2**.]

**Sugerencia:** Para preparar los cables para pasarlos por el tubo, poner un pedacito de cinta aisladora en la punta de los cables—esto mantendrá los cables juntos al pasarlos por el tubo. [Referirse al **diagrama 2**.]

Determinar el largo del tubo que desea usar. Pasar los cables del ventilador y el cable de seguridad a través del extremo roscado del tubo y con cuidado jalar el cableado en exceso por la parte de arriba del tubo. [Referirse al **diagrama 2**.]

Enroscar el tubo en el cuello del bastidor del motor hasta alinear los agujeros para el perno y la clavija en el tubo con los del cuello—asegurarse de que no se tuerzan los cables. Volver a introducir el perno y la clavija que se quitaron anteriormente. Apretar los tornillos de fijación del cuello y la tuerca completamente. [Referirse al **diagrama 2**.]

Deslizar la cubierta del cuello, la tapa de la cubierta decorativa y la cubierta decorativa por el tubo. [Referirse al **diagrama 3**.] (**Nota:** Se tiene que voltear la tapa de la cubierta decorativa para que el lado liso dé a la unidad del motor).

Pasar los cables y el cable de seguridad por la bola que sirve para colgar; luego deslizar la bola que sirve para colgar sobre el tubo—la parte de arriba del tubo debe tener el agujero para el tornillo de fijación en ese extremo; usar ese agujero al colocar el tornillo de fijación. Introducir el perno de tope en la parte de arriba del tubo y subir la bola que sirve para colgar. Asegurarse de que el perno de tope se ponga en línea con las ranuras dentro de la bola que sirve para colgar. Apretar bien el tornillo de fijación. [Referirse al **diagrama 4**.]

**⚠ ADVERTENCIA:** Si no se aprieta bien el tornillo de fijación en la bola que sirve para colgar, es posible que se afloje el ventilador y que se caiga.

[El "Ensamblaje del ventilador" continúa en la página siguiente].

**NOTA:** No se debe concluir que las precauciones de seguridad importantes e instrucciones en este manual van a abarcar todas las condiciones y situaciones posibles que puedan ocurrir. Se debe entender que el sentido común y la precaución son factores necesarios en la instalación y la operación de este ventilador.

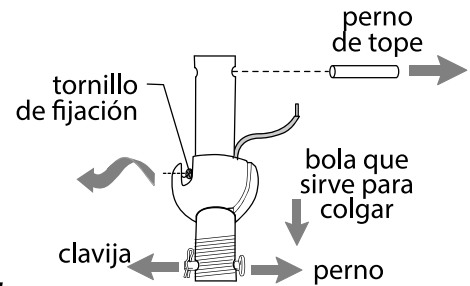


diagrama 1

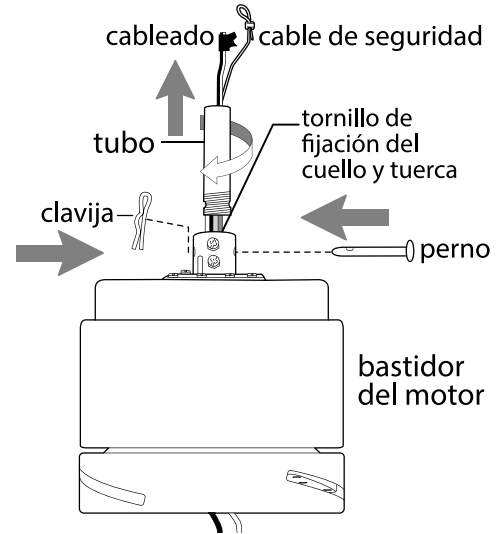


diagrama 2

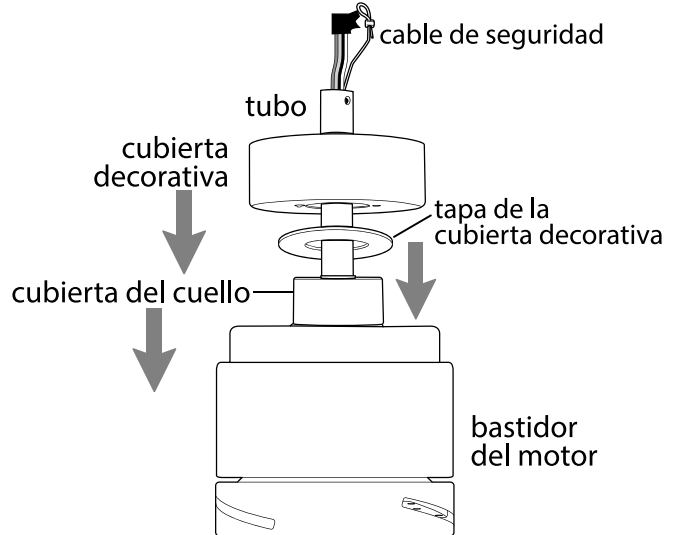


diagrama 3

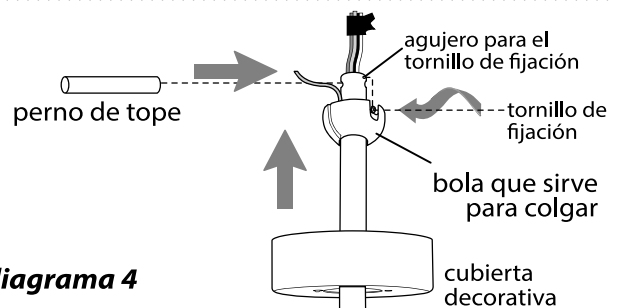


diagrama 4

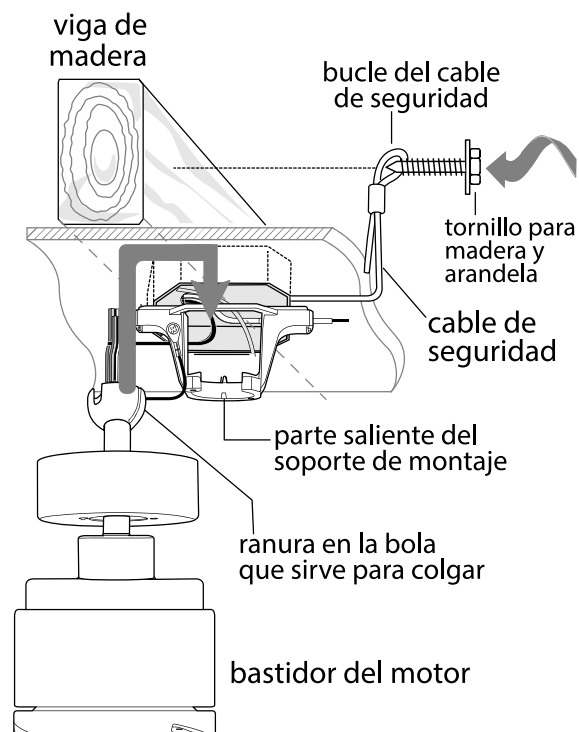
## 5. Ensamblaje del ventilador. (cont.)

Ya que esté sujeto el soporte de montaje a la caja de salida y capaz de apoyar el ventilador, usted está listo para colgar el ventilador. Agarrar el ventilador firmemente con las dos manos. Deslizar el tubo por la abertura del soporte de montaje y dejar que se detenga la bola en el soporte de montaje. Girar la bola que sirve para colgar hasta que la ranura de la bola se alinee con la parte saliente del soporte de montaje.

**⚠ ADVERTENCIA:** No alinear la ranura en la bola que sirve para colgar con la parte saliente del soporte de montaje puede causar lesiones graves o la muerte.

**Sugerencia:** Solicitar ayuda de otra persona para mantener sujeta la escalera y para que le suba el ventilador cuando usted ya esté listo en la escalera para colgarlo.

Encontrar un punto de acoplamiento seguro (se recomienda la viga de madera en el techo) y asegurar el cable de seguridad. Utilizar tornillo para madera para trabajos pesados, arandela y arandela de seguridad (no provistos) en el bucle del cable de seguridad. [Referirse al diagrama al lado.] Si es necesario, ajuste el bucle en el extremo del cable de seguridad. El bucle en el extremo del cable de seguridad debe ser de tal tamaño que pase justo sobre la punta de la parte roscada del tornillo para madera. *Poner el cable a prueba jalando con alicate la parte suelta en la punta del cable. Si el cable se desliza o se reduce el bucle del cable por donde pasa el tornillo, hay que ajustar el bucle de nuevo.* Se puede poner el cable en exceso en el área del techo.



## 6. Instalación eléctrica.

**⚠️ ADVERTENCIA:** apagar los cortacircuitos en el panel de electricidad que suplen corriente a la caja de salida y asegurarse de que el interruptor de luz esté APAGADO.

**⚠️ PRECAUCIÓN:** asegurarse de que la caja de salida esté conectada a tierra como es debido y que exista un conductor a tierra (**VERDE** o **PELADO**).

Asegurarse de que todas las conexiones eléctricas cumplan con los Códigos o las Ordenanzas Locales y el Código Nacional Eléctrico. Si usted no está familiarizado con el alambrado eléctrico o los cables de la casa/el edificio son de colores diferentes a los cuales se refieren en el diagrama al lado, favor de buscar un electricista calificado.

**Nota:** si la longitud del alambrado que sale del ventilador es demasiado, se puede cortarlo al largo deseado y luego pelarlo.

Una vez que el ventilador esté bien sujeto en el soporte de montaje, alambrar el **RECEPTOR** con los conectores para cable provistos así como se muestra en el diagrama al lado.

**Sugerencia:** mientras está haciendo la instalación eléctrica, recordar que los cables no deben impedir el posicionamiento del receptor en el soporte de montaje.

\*Como una medida de seguridad adicional, envolver cada conector para cable por separado con cinta aisladora.

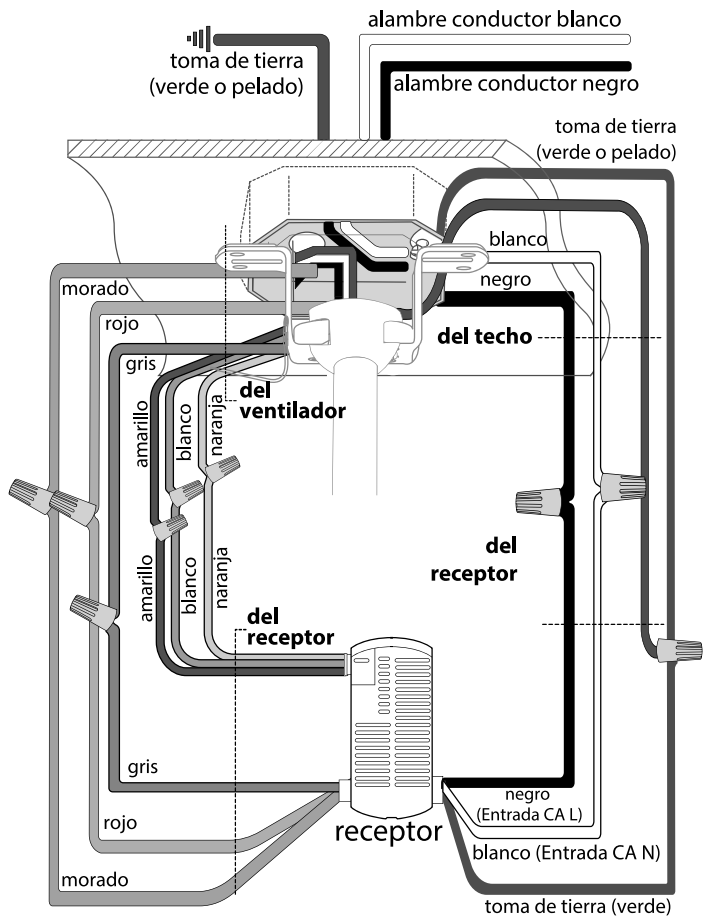
Meter el receptor (con el lado plano boca arriba) en el soporte de montaje y cuidadosamente empujar los conectores para cable que tienen cinta dentro de la caja de salida.

**Para instalar el control de pared,** quitar el interruptor de pared existente. Alambrar el control de pared con los conectores para cable provistos así como se muestra en el diagrama al lado.

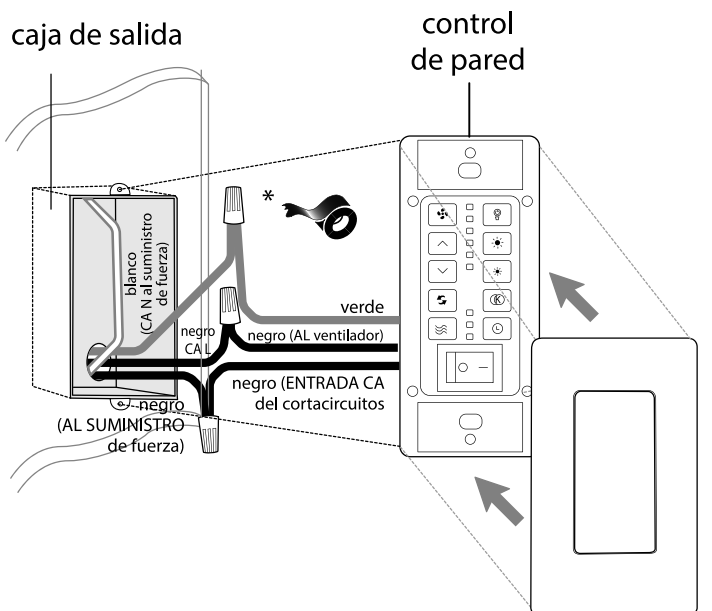
**⚠️ ADVERTENCIA:** para reducir el riesgo de daños al control de pared, NO conectar el cable **BLANCO** (AC N) al control de pared.

\*Como una medida de seguridad adicional, envolver cada conector para cable con cinta aisladora. Delicadamente meter los cables y los conectores para cable que tienen cinta dentro de la caja de salida.

Sujetar el control de pared a la caja de salida y asegurarlo con los tornillos del interruptor de pared original o los tornillos provistos. Sujetar la placa (provista) al control de pared usando los 2 tornillos provistos con el control de pared.



**(cableado para el receptor)**

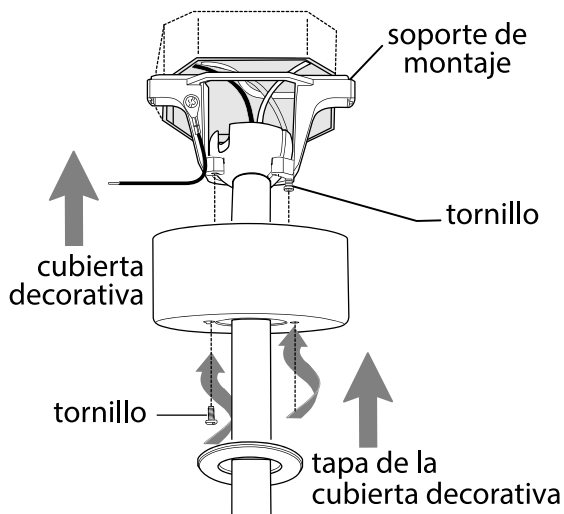


**(cableado para el control de pared)**

## 7. Colocación de la cubierta decorativa.

Localizar los 2 tornillos en la parte inferior del soporte de montaje y quitar el tornillo que está localizado más cerca del extremo abierto del soporte de montaje. Aflojar parcialmente el otro tornillo. Elevar la cubierta decorativa hasta el soporte de montaje. Poner la parte redondeada del agujero con ranura en la cubierta decorativa encima del tornillo aflojado en el soporte de montaje y empujar hacia arriba. Girar la cubierta decorativa para cerrarla. Volver a introducir el tornillo que se quitó y luego apretar bien ambos tornillos.

Deslizar la tapa de la cubierta decorativa hacia arriba hasta la cubierta decorativa, alineando las protuberancias en la tapa de la cubierta decorativa con las muescas en el centro de la parte inferior de la cubierta decorativa. Empujar hacia arriba suave pero firmemente en la tapa de la cubierta decorativa hasta que encaje en la parte inferior de la cubierta decorativa y luego girar la tapa de la cubierta decorativa una vuelta de como 1,27 cm hacia la derecha (en sentido de las agujas del reloj).



## 8. Colocación de las aspas.

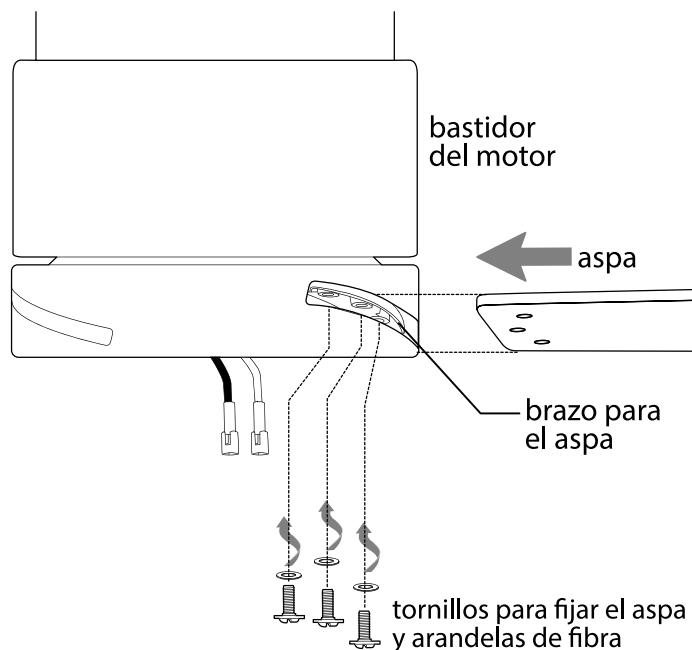
**⚠ ADVERTENCIA:** Para reducir el riesgo de lesiones corporales graves, NO utilizar herramientas eléctricas para ensamblar las aspas. Si aprieta demasiado los tornillos, las aspas podrían agrietarse y quebrarse.

**Para ahorrar tiempo:** Se pueden poner las arandelas de fibra en los tornillos que son para las aspas antes de colocar las aspas.

Localizar los tornillos y las arandelas para fijar las aspas en uno de los paquetes de artículos de ferretería. Deslizar un aspa por una de las aberturas estrechas y rectangulares en el bastidor del motor, alineando los agujeros en el aspa con los agujeros en el brazo para el aspa (**localizado en el lado inferior del bastidor del motor**)--referirse al dibujo al lado.

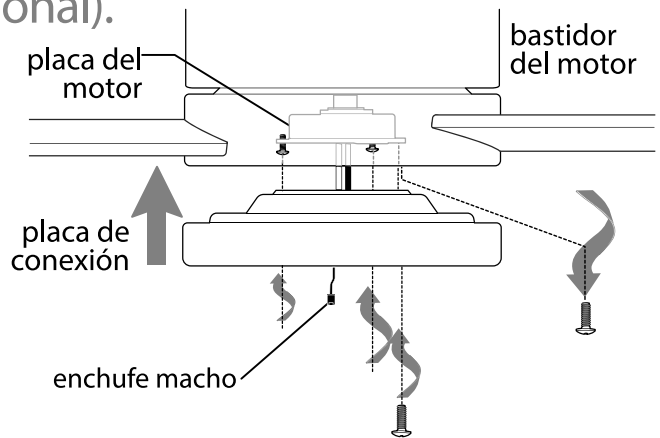
Introducir 3 tornillos para fijar el aspa (junto con las arandelas) con los dedos primero y luego apretarlos bien con un destornillador de estrella Phillips. Repetir el procedimiento con las demás aspas.

**NOTA:** Apretar los tornillos para fijar las aspas dos veces al año.



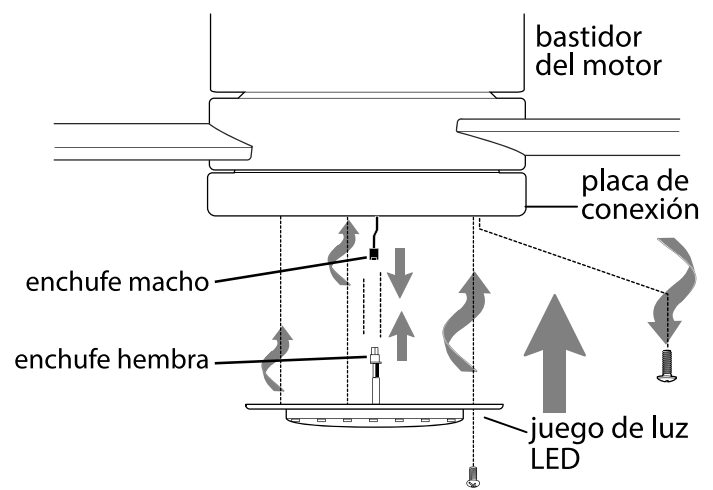
## 9. Instalación del juego de luz (opcional).

Quitar 1 tornillo de la placa del motor (en el lado inferior del bastidor del motor) y aflojar parcialmente los otros 2 tornillos. Alinear los agujeros con ranura en la placa de conexión con los tornillos aflojados en la placa del motor, dejando que el enchufe macho del bastidor del motor pase por el agujero de en medio de la placa de conexión. Girar la placa de conexión para cerrarla. Volver a introducir el tornillo que apenas se quitó y apretar bien los 3 tornillos con un destornillador de estrella Phillips.



Quitar 1 tornillo del lado inferior de la placa de conexión y aflojar parcialmente los otros 2 tornillos.

Conectar el enchufe hembra del juego de luz LED al enchufe macho del bastidor del motor, haciendo combinar los colores del enchufe macho con los del enchufe hembra para que se ajusten. Asegurarse de que se conecten bien los enchufes.

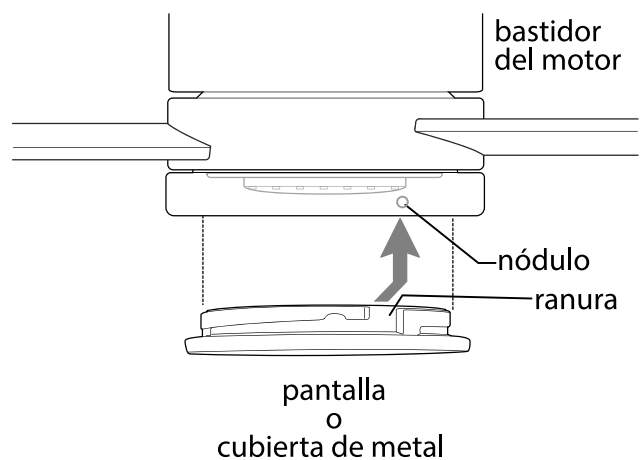


Con cuidado arreglar el cableado dentro de la placa de conexión. Alinear los agujeros en el juego de luz LED con los agujeros en la placa de conexión. Girar el juego de luz LED para cerrarlo. Volver a introducir el tornillo que se quitó anteriormente y apretar bien los 3 tornillos.

**Si desea UTILIZAR la luz,** alinear las ranuras en la pantalla con los nódulos dentro de la placa de conexión y empujar la pantalla delicadamente hacia arriba. Girar la pantalla hacia la DERECHA (en sentido de las agujas del reloj) hasta que se quede encajada.

**NOTA:** Con MUCHO CUIDADO jalar hacia abajo en la pantalla para asegurarse de que se quedó bien sujeta.

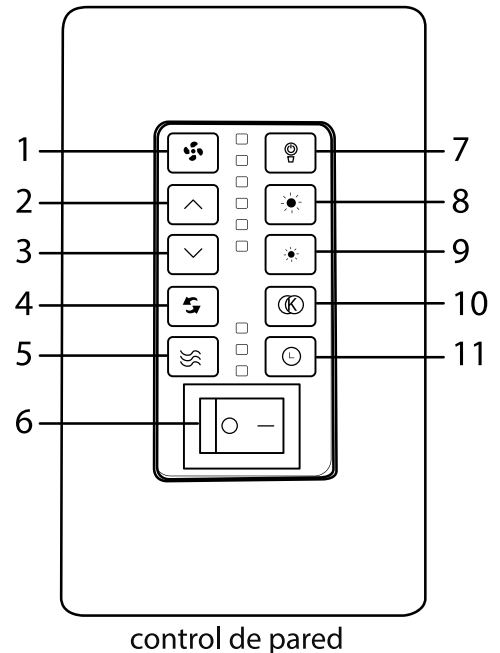
**Si NO desea utilizar la luz,** localizar las ranuras en la cubierta de metal y alinearlas con los nódulos dentro de la placa de conexión. Empujar la cubierta de metal suavemente hacia arriba y girar la cubierta de metal hacia la DERECHA (en sentido de las agujas del reloj) hasta que se deje de girar.



**⚠ ADVERTENCIA:** Si se queda prendida la luz, la cubierta de metal SE CALENTARÁ.

## 10. Funcionamiento del control de pared.


- 1 - Para **ENCENDER** o **APAGAR** el *ventilador*
- 2 - Para aumentar la velocidad del *ventilador*
- 3 - Para disminuir la velocidad del *ventilador*
- 4 - Función inversa (el ventilador debe estar en bajo antes de invertir la dirección de las aspas)
- 5 - Modo Brisa: el ventilador alterna automáticamente entre las velocidades diferentes
- 6 - Para **ENCENDER** o **APAGAR** el *control de pared*
- 7 - Para **ENCENDER** o **APAGAR** la *luz* (si corresponde)
- 8 - Para aumentar la *luz* (si corresponde)
- 9 - Para disminuir la *luz* (si corresponde)
- 10 - Modo de color: cambiar la temperatura del color de la *luz* (si corresponde)
- 11 - Temporizador: el ventilador se detiene después de 1 hora/3 horas/6 horas

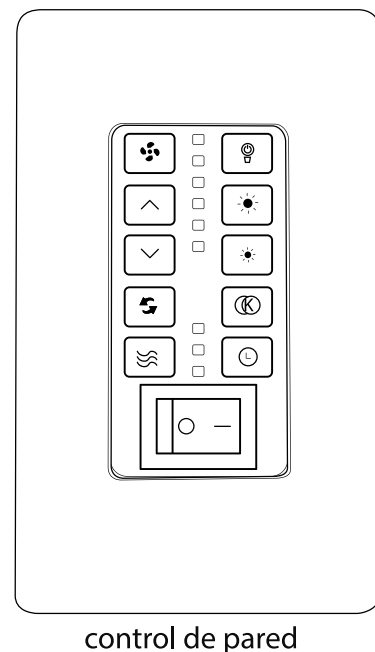


## 11. Verificación del funcionamiento del ventilador.

Se le recomienda poner el ventilador a prueba antes de terminar la instalación. Regresar la corriente de electricidad en el cortacircuitos.

Poner a prueba el control de pared localizando el interruptor de APAGADO y ENCENDIDO en el control de pared, luego ponerlo en posición de ENCENDIDO (—). Poner a prueba y verificar las velocidades del ventilador. Si el control de pared maneja todas las funciones del ventilador, se ha instalado bien el control de pared. Si control de pared no controla todas las funciones del ventilador, favor de referirse a la sección "Localización de fallas" para resolver cualquier asunto antes de comunicarse con el Servicio al cliente.

Hay que poner el ventilador en posición BAJA antes de poner el ventilador en reversa. Usar el botón  para que circule bien el aire dependiendo de las estaciones del año. Un ventilador de techo le permitirá subir el termostato en verano y bajarlo en invierno sin notar una diferencia en su comodidad.



## Localización de fallas.

**⚠️ ADVERTENCIA:** *El no desconectar el suministro de fuerza eléctrica antes de hacer localización de fallas para cualquier problema de instalación eléctrica puede causar lesiones graves.*

**Problema:** El ventilador no funciona.

**Soluciones:**

1. Verificar la instalación eléctrica del control de pared.
2. Verificar que se hizo bien la instalación eléctrica en el receptor.
3. Verificar la instalación eléctrica del ventilador.
4. Verificar que el interruptor del control de pared esté en ENCENDIDO (—).
5. Verificar de que se conectaron bien los enchufes macho y hembra en el juego de luz LED.

**Problema:** El juego de luz (opcional) no se ilumina.

**Soluciones:**

1. Verificar la instalación eléctrica del control de pared.
2. Verificar que se hizo correctamente la conexión de cables en la cubierta decorativa.
3. Asegurarse de que se conectaron bien los enchufes macho y hembra en el juego de luz LED.
4. Verificar que el interruptor del control de pared esté en ENCENDIDO (—).

**Problema:** El ventilador y la luz no funcionan con el control de pared.

**Soluciones:**

1. Verificar la instalación eléctrica del control de pared.
2. Verificar que el interruptor del control de pared esté en ENCENDIDO (—).

**Problema:** El ventilador se tambalea.

**Soluciones:**

1. Usar el juego para balancear las aspas incluido en uno de los paquetes de artículos de ferretería. *Si no se incluye un juego para balancear las aspas, llamar al Servicio al cliente, 800-486-4892, para pedir uno.*
2. Averiguar que se apretó (apretaron) bien el (los) tornillo(s) de fijación en el cuello de la unidad del motor.
3. Averiguar que se apretó bien el tornillo de fijación en la bola que sirve para colgar.

## Garantía.

**Todos los productos están diseñados para su venta en Norteamérica con una red eléctrica de 120 voltios / 60 Hz.**

GARANTÍA LIMITADA DE POR VIDA CRAFTMADE: CRAFTMADE garantiza este ventilador para el uso previsto según la siguiente disposición: CRAFTMADE reemplazará cualquier ventilador que tenga un funcionamiento deficiente debido a un defecto en los materiales o en la mano de obra o que no funcione satisfactoriamente a causa del uso normal. Comunicarse con el Servicio al cliente de Craftmade al **800-486-4892, opción 1** o por correo electrónico a **customerservice@craftmade.com**.

En caso de que un producto ya no esté disponible, CRAFTMADE hará todo lo posible para ofrecer un producto comparable o crédito para otro ventilador de CRAFTMADE.

El comprador será responsable de todos los costos incurridos en la sacar y reinstalar el ventilador.

Esta garantía no se aplica cuando los daños por abuso mecánico, físico, eléctrico o de agua provocan el mal funcionamiento. El deterioro de los acabados u otras partes debido al tiempo o la exposición al aire salado está específicamente exento bajo esta garantía. No están cubiertos por esta garantía las pantallas ni las bombillas, pero se reemplazarán si se encuentran rotas en el momento de la compra.

Ni CRAFTMADE ni el fabricante asumirán ninguna responsabilidad derivada de la instalación o el uso inadecuado de este producto. En ningún caso la empresa será responsable por daños emergentes por incumplimiento de esta, o cualquier otra garantía expresa o implícita de cualquier tipo. Esta limitación en cuanto a daños consecuentes no se aplicará en los estados donde esté prohibido.

## Piezas, reemplazo o asistencia técnica.

Para obtener piezas, reemplazo, asistencia técnica o información adicional, tener disponible el número de modelo, el nombre o la imagen del ventilador y comunicarse con Craftmade de una de las siguientes maneras:

Servicio al cliente:

**800-486-4892**, Opción 1

Apoyo técnico:

**800-486-4892**, Opción 2

Correo electrónico:

customerservice@craftmade.com.

www.craftmade.com

**CRAFTMADE™**