

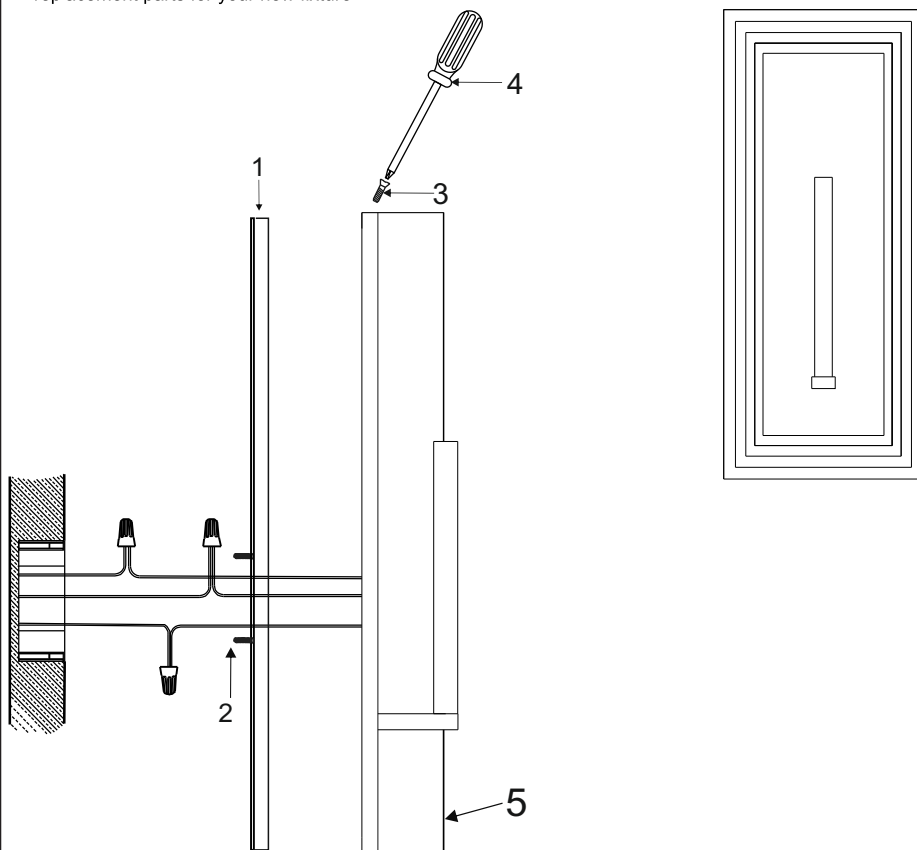


LIGHTING FIXTURE COMPANY

ASSEMBLY AND INSTALLATION INSTRUCTIONS for the 654011 Fixture

Important Safety information (Please read before proceeding)

1. Remove the fixture, parts and all mounting hardware bags (orange) from the carton and verify that all parts are present according to the illustration sheet. All parts must be used as indicated. Do not replace any parts, leave any parts out, or use any parts which are worn out or broken. **Failure to follow the instructions could cause a hazardous situation, voids the warranty and violates the U.L. listing of the fixture.**
2. To prevent the electric shock, turn off the main power at the circuit breaker before installing the fixture. **NEVER attempt to install, clean or replace bulbs without shutting off the electricity to the fixture.**
3. **Never use light bulbs with wattage ratings that exceed the fixtures maximum rating.** Always make sure the electric current is turned off before changing the bulbs.
4. If you experience difficulties installing the lighting fixture or it fails to work as expected, please contact a local qualified licensed electrical contractor.
5. Please contact your local Capital Lighting Fixture reseller with any assembly or installation question replacement parts for your new fixture.



Components

1. MOUNTING BACK PLATE W/GREEN SCREW
2. OUTLET BOX MOUNTING SCREWS
3. MOUNTING SCREW
4. PHILIPS SCREW DRIVER (NOT PROVIDED)
5. FIXTURE

Assembly Instruction or the 654011 fixture

1. Attach mounting back plate (1) to outlet box with outlet box mounting screws (2).
2. Raise Fixture (5) toward the outlet box, then connect the fixture ground wire to the outlet box ground wire with the wire connector supplied; connect the white fixture wire to the white power supply wire with the wire connector supplied; and connect the black fixture wire to the black power supply wire with the wire connector supplied.
3. Push mounting back plate (1) of Fixture to mounting surface, make sure mounting holes in Fixture (5) and mounting back plate (1) are in line, verify all wires are securely inside the Fixture (5) and mounting back plate (1), and carefully passing mounting Screws (3) through holes, and philips screw driver (not provided) (4) then secure Fixture (5) to mounting surface with mounting Screws (3)